

AURORA MOBILE PRICE LIST



Effective January 3, 2017



TABLE OF CONTENTS

Terms and Conditions	Page 2
Aurora Mobile Gloss-Tek™ Colors	Page 3
Certificate of Warranty	Page 4
Powered Mobile	Page 5
Powered Mobile Single and Dual Access Kit Selection Guide	Page 6-9
Single and Dual Access Powered Mobile Control Kits	Page 10-13
Low Profile Carriages	Page 14-16
Low Profile Carriage Plates and Carriage Covers	Page 17-19
1000 Series Carriages	Page 20-25
1000 Series Carriage Plates and Carriage Covers	Page 26-31
Mobile Rails, Miscellaneous, and End-Stor™	Page 32
Ramp, Twin Ramp™	Page 33
Chain Boxes	
Specification Chart, 1000 Series, Low Profile	Page 34-35
Accessories	
Handles, Overhead Anti-tip, Locks, and Miscellaneous	Page 36-37
End Panel Part Number Key	Page 38
Low Profile	
Steel End Panels	Page 39-44
Low Pressure Laminate with Composite Edge	Page 45-50
High Pressure Laminate with Composite Edge	Page 51-56
High Pressure Laminate with Self Edge	Page 57-62
Powered Low Profile	
Steel End Panels	Page 63-68
Low Pressure Laminate with Composite Edge	Page 69-74
High Pressure Laminate with Composite Edge	Page 75-80
High Pressure Laminate with Self Edge	Page 81-86
1000 Series	
Steel End Panels	Page 87-92
Low Pressure Laminate with Composite Edge	Page 93-98
High Pressure Laminate with Composite Edge	Page 99-104
High Pressure Laminate with Self Edge	Page 105-110
Powered 1000 Series	
Steel End Panels	Page 111-116
Low Pressure Laminate with Composite Edge	Page 117-122
High Pressure Laminate with Composite Edge	Page 123-128
High Pressure Laminate with Self Edge	Page 129-134
End Panel Back Filler Plates	
Mechanical Assist Low Profile	Page 135-137
Powered Low Profile	Page 138-140
Mechanical Assist 1000 Series	Page 141-143
Powered 1000 Series	Page 144-146
Low Profile Back Panels	
High Pressure Laminate	Page 147
1000 Series Back Panels	
High Pressure Laminate	Page 148
Wheel Cross Sections	Page 149-151
Rail, Chain Box Cover and End Stop Detail	Page 152

TERMS AND CONDITIONS

PRICES

All prices printed herein supersede all previous prices and are subject to change without notice. These prices are F.O.B. origin, Aurora, Illinois, exclude freight and are subject to an additional charge for special color, special packaging, states' sales or consumer taxes as required. One order constitutes one color with only one delivery address.

SALES POLICY

Possession of this price list does not constitute authority to purchase and/or sell products contained within. Aurora Storage Products has the right to refuse any purchase order.

GLOSS-TEK COLORS AND WOOD-TEK

Aurora Storage Products are coated in Gloss-Tek™ an eco-friendly, non-emissive textured powder coat. There are 31 standard colors; custom colors are available and are subject to longer lead time and an additional charge. A metal color chip of the special color is necessary for paint matching.

NOTE: Even with metal sample matching, shading and gloss can vary. Be careful when matching new equipment to product of the same color that has been in the field for several years. Products closely exposed to fluorescent lighting or sunlight can fade. If a perfect match is required, forward a sample to Customer Service.

WOOD-TEK PRODUCT

Orders of non-standard Wood-Tek stain and wood species require a stain match and approval. Special caution must be given to matching new product to product which has been in the field for several years. Product exposed to sunlight or fluorescent lighting can fade or darken. Aurora Storage Products will not guarantee or be responsible for the character of wood including natural variations in color, grain, and texture, and may differ slightly from sample.

TERMS OF PAYMENT

Net 30 days from date of invoice. We accept Visa and Master Card.

WEIGHTS

Weights are not intended to be used for structural load bearing calculations. Shipping weights can be obtained from Quik-Quote or by consulting Aurora Customer Service.

SPECIFICATIONS

Subject to change without notice.

DISCONTINUED ITEMS

We reserve the right, without notice, to discontinue the manufacture and sale of any items printed herein.

FREIGHT POLICY

Aurora Storage Products offers multiple freight options. Aurora Storage Products ship as Class 70, F.O.B., Aurora, IL 60506. Other freight options include:

- Third Party, F.O.B. point of destination
- Collect, F.O.B. point of destination
- Prepaid and add, F.O.B. point of origin
- UPS shipments will ship prepaid and add actual cost.
- PRIME Program (Positive Rate Information and Management Equalizer) is a very competitive freight program that allows Aurora Storage Products to pass full freight discounts directly to all Authorized Aurora Product Dealers.

Normal delivery is dock-to-dock. Special requests such as inside delivery, lift gate service, residential delivery, etc. are subject to additional charges. All accessorial changes not requested on purchase order will be the responsibility of the consignee.

Delivery date and time are at the discretion of the carrier within reasonable transit time unless special arrangements have been made between the customer and Aurora Storage Products.

Customer routed shipments and pick-ups must be picked up from Aurora Storage Products within 48 hours of notification that the shipment is ready or Aurora Storage Products will ship prepaid and add.

TITLE TO MERCHANDISE

Title to merchandise shall pass to the buyer upon delivery by Aurora Storage Products to the carrier on FOB Factory. Buyer acknowledges that once Aurora Storage Products delivers goods to the carrier, title to the goods and risk of loss will pass to the buyer. If the goods are damaged by the carrier while in transit, the buyer has the sole obligation of seeking recourse from the carrier. If the goods are lost by the carrier, buyer may at their option either:

- 1) File a freight claim with carrier.
- 2) Place a new purchase order with Aurora Storage Products.

ORDER CHANGES

Any changes to an order after 5 days of the date of the first order acknowledgement are subject to a change order fee of \$100 for every change. At the discretion of Aurora Storage Products any changes to orders after receipt of an order acknowledgement are assigned a new delivery date regardless of the lead time quoted.

CANCELLATION CHARGES

If customer cancels an order after 5 days of the date of the first order acknowledgement, customer shall be subject to a charge of 20% percent of the net amount of the order.

SPECIAL ITEM CHANGES OR CANCELLATIONS

Non-standard, specially designed product, or purchased items such as Quik-Roll™ or laminates may not be changed, cancelled, or returned for credit. Aurora Storage Products reserves the right to determine what products are special.

DAMAGE IN TRANSIT

CAUTION: When you give the delivering carrier a clear receipt for a shipment in which there is damaged merchandise or a shortage, the carrier and Aurora Storage Products are relieved of further responsibility.

All packaging is in accordance with carrier requirements.

For your protection, before accepting any shipment, examine it carefully. If there is evidence of damage or a shortage, insist that the delivering carrier make suitable notation to that effect on the freight bill before you sign it.

If, after receipt of shipment, concealed damage is discovered, immediately **notify the delivering carrier**, requesting immediate inspection. The inspection report should be used to support your claim against the carrier. *NOTE:* Carriers require notification of concealed damage within 24 hours of delivery. Aurora Storage Products also needs to be notified of any concealed damage claims.

Any claim for damage or shortage on non-PRIME carrier shipments must be noted by you with the non-PRIME delivering carrier. Aurora Storage Products will not accept the return of merchandise damaged in transit. Your recourse is with the delivering carrier. Freight claim filing is the responsibility of the consignee and not Aurora Storage Products unless a PRIME carrier is used for the shipment.

SHIPMENT SHORTAGE CLAIMS

Shortage claims reported after 15 days beyond the shipment date will not be honored.

RETURN GOODS POLICY

1. Requests in writing for Return Goods Authorization must be made to the Aurora Storage Products Customer Service Department within 21 days of the shipment from Aurora Storage Products.
2. Aurora Storage Products will determine the eligibility to return any material and will notify the requester within 5 days upon receipt of written request. Aurora Storage Products will also instruct the requester to return the material to Aurora Storage Products or dispose of such before the issuance of the appropriate credit.
3. Special items and items not manufactured by Aurora Storage Products (purchased) will not be eligible for return.
4. Any material returned to Aurora Storage Products or disposed of without the proper authorization by Aurora Storage Products will be refused and no credit will be issued.
5. Returned goods must be shipped freight prepaid at the requester's expense within 30 days of receipt of written authorization. The requester must determine the carrier. If the RGA is due to a Aurora Storage Products error, freight can ship collect via PRIME carrier.
6. All material returned must be received in original packaging. Credit will be given on returned resalable material, only after receipt and inspection by Aurora Storage Products. All returned material must be accompanied by the Return Goods Authorization form. Credit for authorized returns are subject to a 25% restocking charge on the net acceptable material value.
7. Total value of returned material must exceed \$200.00 net.

SPECIAL PACKAGING

All material will be shipped in standard pack quantities unless otherwise specified on the purchase order. Where special requests are made for packaging that differs from the standard pack containment, customer bears full responsibility for the cost of such packaging as well as the condition of the product. Aurora Storage Products shall in no way be held responsible for improper packaging or damage in transit.

Aurora Storage Products reserves the right to change or modify packaging or package quantities without notice.

If customer requests that skidding be utilized, the customer shall bear the cost of the skids. At times it may be necessary to consider special crating. Consult the factory for crating charges.

PRODUCT ASSEMBLY

Aurora Storage Products are shipped "KD" (unassembled) and assembly is required at the job site. Consult appropriate installation manual.

AURORA MOBILE GLOSS-TEK™ COLORS

All colors are supplied in Aurora's exclusive Gloss-Tek™ powder coat finish. Always refer to the color number when ordering.

STANDARD COLORS

Color Number	Unit Color	Color Number	Unit Color
05	Adobe	51	Parchment
80	Beachwood	20	Limón
81	Black	39	Birch
30	Blue Storm	34	Summit
19	Chisel	11	Off White
60	Chocolate	90	Pure White
42	Copra		
10	Cranberry Red		
53	Desert Sand		
02	Gray Mist		
25	Gray Sky		
31	Heritage Blue		
15	Moondust		
64	Mushroom		
70	Obsidian		
50	Oliva		
78	Navy		
86	Pebble Gray		
73	Pebble Tan		
17	Pewter		
94	Sand		
40	Stone		

METALLIC COLORS

Color Number	Unit Color
105	Baja
120	Aluminum
115	Quicksilver

Metallic finishes 15% upcharge over net value.

CUSTOM COLORS

Additional Charges Apply. Contact Customer Service for more information.

END PANEL OPTIONS

LOW PRESSURE LAMINATE COLORS

Antique White
Black
Fog Gray
Manitoba Maple

HIGH PRESSURE **WILSONART LAMINATE COLORS

Pricing includes standard Wilsonart High Pressure Laminates.
**Wilsonart Premium and High Definition Laminates are also available as a custom order. Call Customer Service for a quote or for other laminate suppliers or color options.

CERTIFICATE OF WARRANTY

Lifetime Limited Warranty: Subject to the conditions stated below Aurora Shelving, Aurora Mobile Systems, Times-2/Times-2 Elite Cabinets and Aurora Museum Cabinets warrant to the original purchaser exclusively that the shelving, carriages, the rotary cabinets and museum cabinets (“structural frames”) manufactured by Aurora Storage Products, Inc., will be free from defects in materials and workmanship other than normal wear and tear for the lifetime of the structural frames. During the warranty period, all parts will be provided at no cost. Labor is included at no cost during the first year of the warranty period. For purposes of this warranty, structural frames shall be deemed to exclude all moving parts, controls and guides that have immediate contact with moving parts.

10-Year Limited Warranty: Aurora also warrants that all carriage drive motors shall be free from defects in materials and workmanship other than normal wear and tear for a period of ten (10) years from the date of the customer’s written acceptance of installation. During the 10-year warranty period, the carriage drive motor will be provided at no cost. Labor is included at no cost during the first year of the 10-year warranty period reimbursed as per the Labor Reimbursement Schedule.

5-Year Limited Warranty: Aurora also warrants that all equipment, other than structural frames and carriage drive motors, shall be free from defects in materials and workmanship other than normal wear and tear for a period of five (5) years from the date of the customer’s written acceptance of installation. During the 5-year warranty period, all covered parts will be provided at no cost. Labor is included at no cost during the first year of the 5-year warranty period reimbursed as per the Labor Reimbursement Schedule.

1-Year Limited Warranty: Aurora also warrants that ceramic heaters contained in the Aurora Drying Cabinet shall be free from defects in materials and workmanship other than normal wear and tear for a period of 1 year from the date of the customer’s written acceptance of installation. During the 1-year warranty period, all covered parts will be provided at no cost. Labor is included at no cost during the first year of the warranty period reimbursed as per the Labor Reimbursement Schedule.

If any warranted product shall be proved to Aurora’s satisfaction to be defective, such product shall be repaired or replaced at the option of Aurora. All warranty service for any product manufactured by Aurora must be performed by an authorized Aurora factory representative. This warranty shall be void if any portion of the purchase price shall be due but unpaid in accordance with the terms pursuant to which the product was sold. This warranty shall not apply to product installed, repaired or moved by any party other than an authorized Aurora factory representative or to defects or damage caused by (a) Acts of God or other circumstances beyond Aurora’s control, (b) improper installation, (c) improper electrical supply or environmental conditions, (d) improper operation, maintenance, or storage, or (e) other than normal use or service. **EXCEPT FOR THE EXPRESS WARRANTIES SET FORTH ABOVE, AURORA MAKES NO WARRANTIES, IMPLIED OR OTHERWISE, AND AURORA SPECIFICALLY DISCLAIMS ANY IMPLIED WARRANTY OF MERCHANTABILITY OR FITNESS FOR A PARTICULAR PURPOSE.**

The Certificate of Warranty must be completed by the respective dealer, accepted and signed by the customer, and sent to Aurora Storage Products, Inc. upon completion of the installation. If the Certificate is not on file, all reimbursement for warranties shall be declined.

Limitation of Liability: Repair or replacement of any defective equipment, or refund of the purchase price paid by the customer in the event Aurora determines such equipment cannot be repaired or replaced, shall be the customer’s exclusive remedy for breach of the warranty for product defects, however caused, and in no case shall Aurora be liable for incidental, consequential, special or other damages, or loss of profits or revenues whether as a result of breach of contract of warranty, Aurora’s negligence, or otherwise. Aurora shall have no liability for any advice or assistance by any party outside the scope of Aurora’s written specification for the manufacture, operation or maintenance of the warranted equipment.

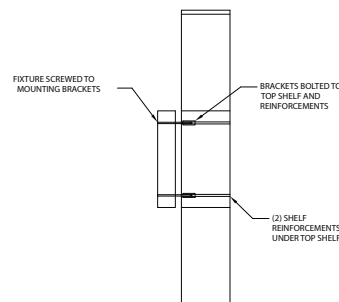
POWERED MOBILE (ADD TO LOW PROFILE OR 1000 SERIES CARRIAGE PRICING)

Aurora Mobile can be ordered as a powered storage system providing convenience, safety and security in a system that is easy to operate with many options. Controls and accessories can be added to the Aurora Low Profile or the Aurora 1000 Series and feature plug-and play operation allowing users to access the system at the touch of a button. The Master Control Panel can be programmed with selective security for multiple users and other functionality such as carriage distance settings, night park and fire park. Lighting options are also available. Consult Aurora Customer Service for full design service and system recommendations.



LIGHTING RECOMMENDATIONS

Carriage Length	Number of Lights
5' - 15'	1
16' - 24'	2
25' - 30'	3
31' - 36'	4
37' - 42'	5
43' - 48'	6
49' - 51'	7



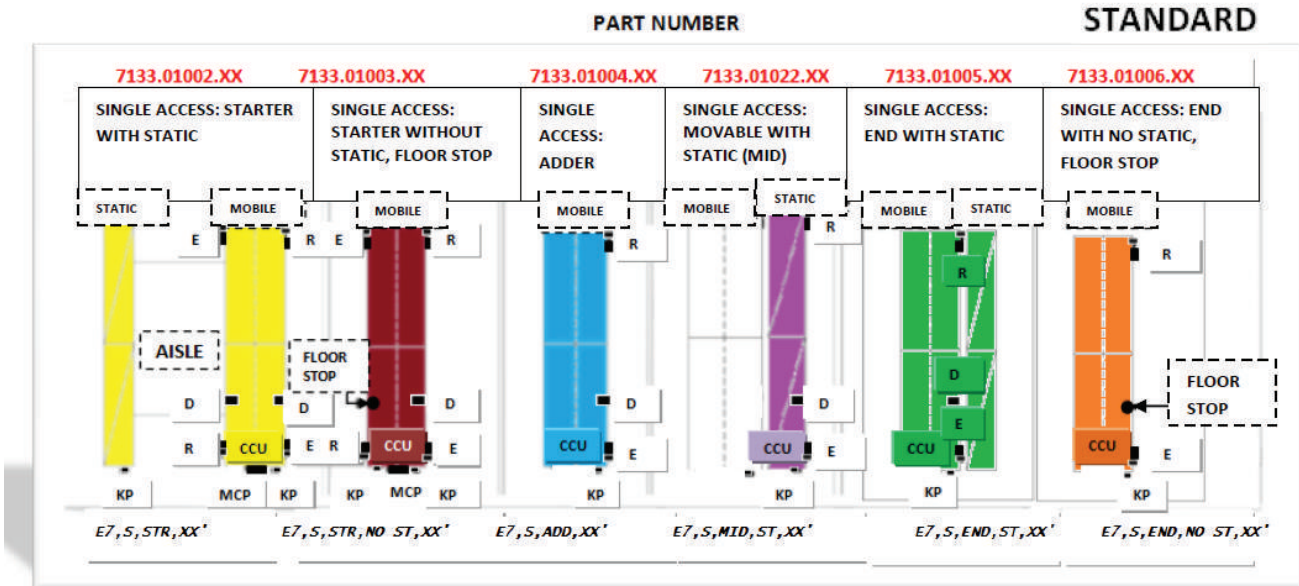
Part	Description	Weight	Price
3133.00001	Electric Power Cord Assembly	1 lbs.	\$58.00
3133.00042	Electric Power Cable Adapter	1 lbs.	\$21.00
3133.00043	Electric Pantograph 54"	12 lbs.	\$211.00
3133.00043.68	Electric Pantograph 68"	15 lbs.	\$629.00
3133.00043.114	Electric Pantograph 114"	20 lbs.	\$781.00
3133.00048	Electric Floor Stop Package	1 lbs.	\$327.00
3133.00052	Electric Gear Motor 1/8HP 24V	5 lbs.	\$475.00
7133.00001P	Electric LCD Display Unit	3 lbs.	\$852.00
7133.00010P	Electric Mobile Control Unit	3 lbs.	\$741.00
7133.00040	Electric Keypad Unit	1 lbs.	\$227.00
7133.00051	Electric Distance Sensor	1 lbs.	\$135.00
7133.00077	Electric Barrel Receiver P.E.	1 lbs.	\$197.00
7133.00078	Electric Barrel Emitter P.E.	1 lbs.	\$197.00
7133.00087	Electric Lighting Relay Package	3 lbs.	\$341.00
7133.00097	Electric Photoeye Package	2 lbs.	\$392.00
3510.00172	Electric 48" Lighting Package W/24" Arm	20 lbs.	\$341.00
4500.06187	UPS Battery Backup 120V 60HZ	30 lbs.	\$756.00
7133.01024.18	Carriage Floor Sweep 18'	4.1 lbs.	\$575.00
7133.01024.36	Carriage Floor Sweep 36'	4.4 lbs.	\$590.00
7133.01024.51	Carriage Floor Sweep 51'	4.6 lbs.	\$610.00

POWERED MOBILE SINGLE AND DUAL ACCESS KITS

Kit part number will end in .18, .36, .51 corresponding to the maximum carriage length (in feet) the kit can accommodate.
 Kits ending in .18 can accommodate carriages of up to 216" (18 FT.)
 Kits ending in .36 can accommodate carriages larger than 216" (18 FT.) and up to 432" (36 FT.)
 Kits ending in .51 can accommodate carriages larger than 432" and up to 612" (51 FT.)

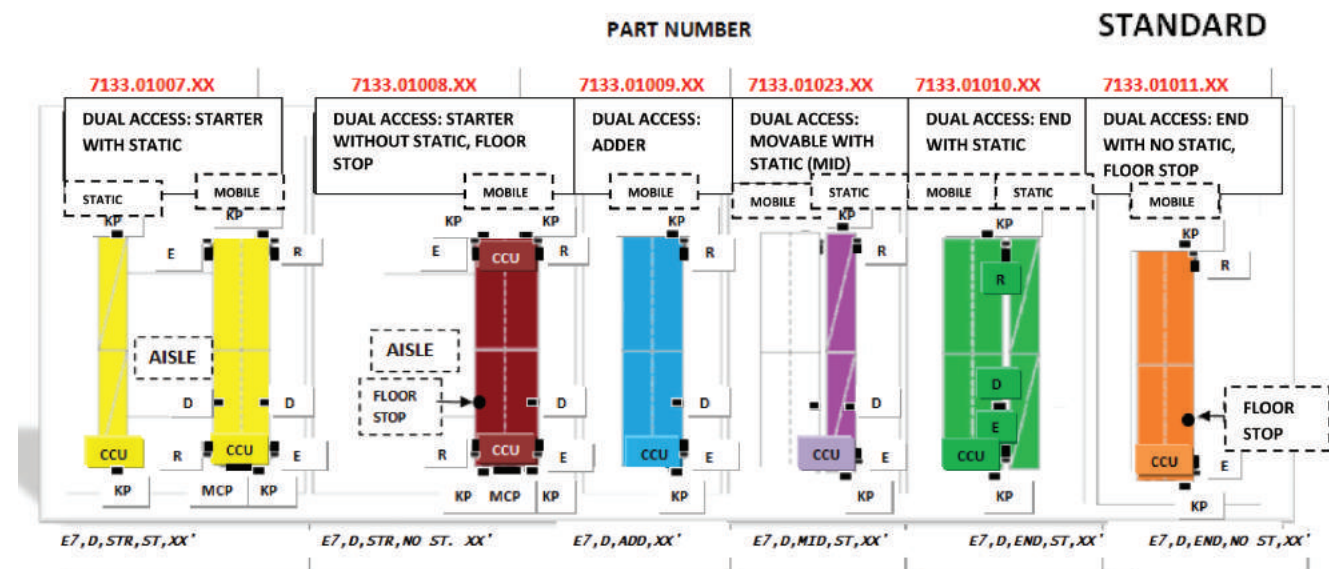
KP: KEYPAD **E: EMITTER** **NOTE: .XX** **.18, .36, .51**
D: DISTANCE SENSOR **MCP: LCD DISPLAY UNIT** **REFERS TO MAXIMUM CARRIAGE LENGTH (FEET)**
R: RECEIVER **CCU: MOBILE CONTROLLER UNIT** **10 CCU MAXIMUM PER MCP**

E7 POWERED MOBILE (SINGLE ACCESS) KIT SELECTION GUIDE



Description

E7 POWERED MOBILE (DUAL ACCESS) KIT SELECTION GUIDE



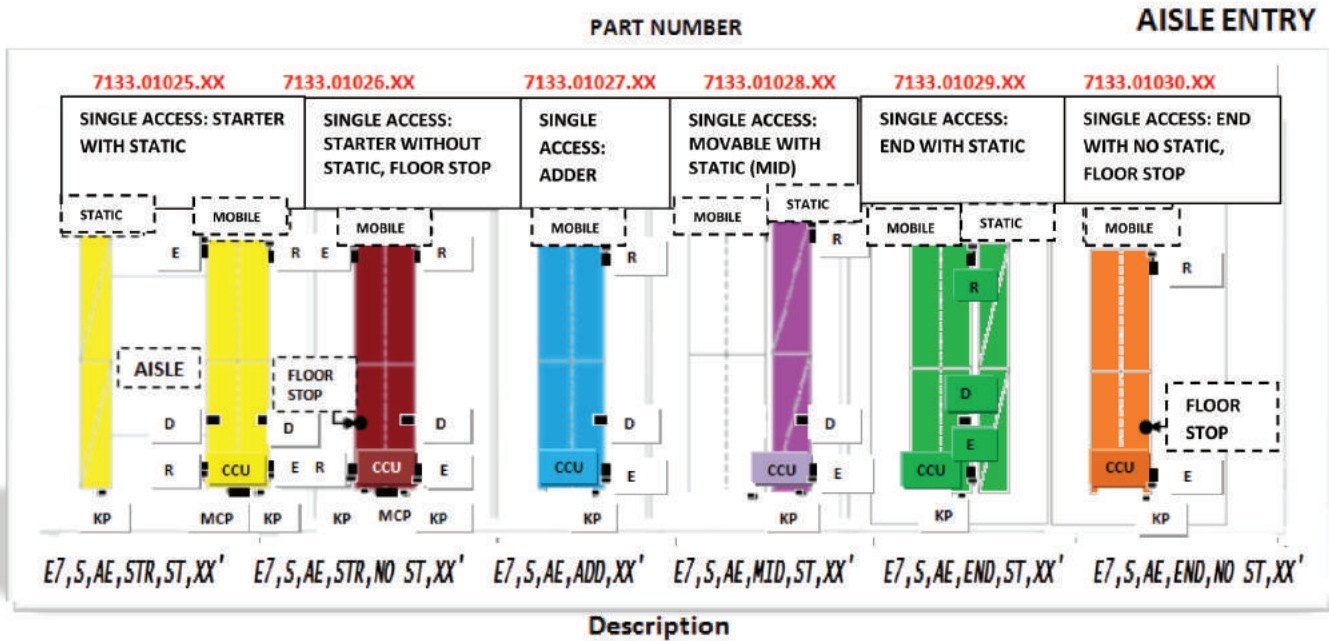
Description

POWERED MOBILE SINGLE AND DUAL ACCESS KITS

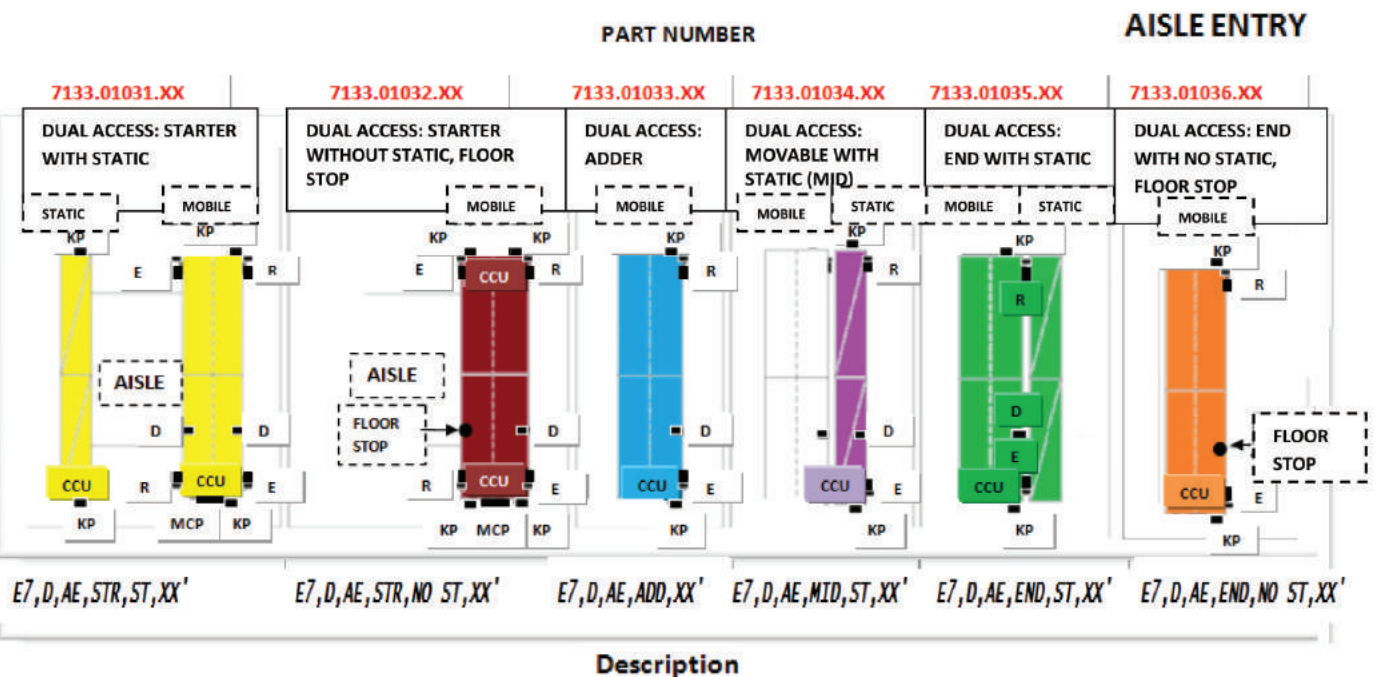
Kit part number will end in .18, .36, .51 corresponding to the maximum carriage length (in feet) the kit can accommodate.
 Kits ending in .18 can accommodate carriages of up to 216" (18 FT.)
 Kits ending in .36 can accommodate carriages larger than 216" (18 FT.) and up to 432" (36 FT.)
 Kits ending in .51 can accommodate carriages larger than 432" and up to 612" (51 FT.)

KP: KEYPAD E: EMITTER NOTE: .XX .18, .36, .51
 D: DISTANCE SENSOR MCP: LCD DISPLAY UNIT REFERS TO MAXIMUM CARRIAGE LENGTH (FEET)
 R: RECEIVER CCU: MOBILE CONTROLLER UNIT 10 CCU MAXIMUM PER MCP

E7 POWERED MOBILE (SINGLE ACCESS) KIT SELECTION GUIDE



E7 POWERED MOBILE (DUAL ACCESS) KIT SELECTION GUIDE

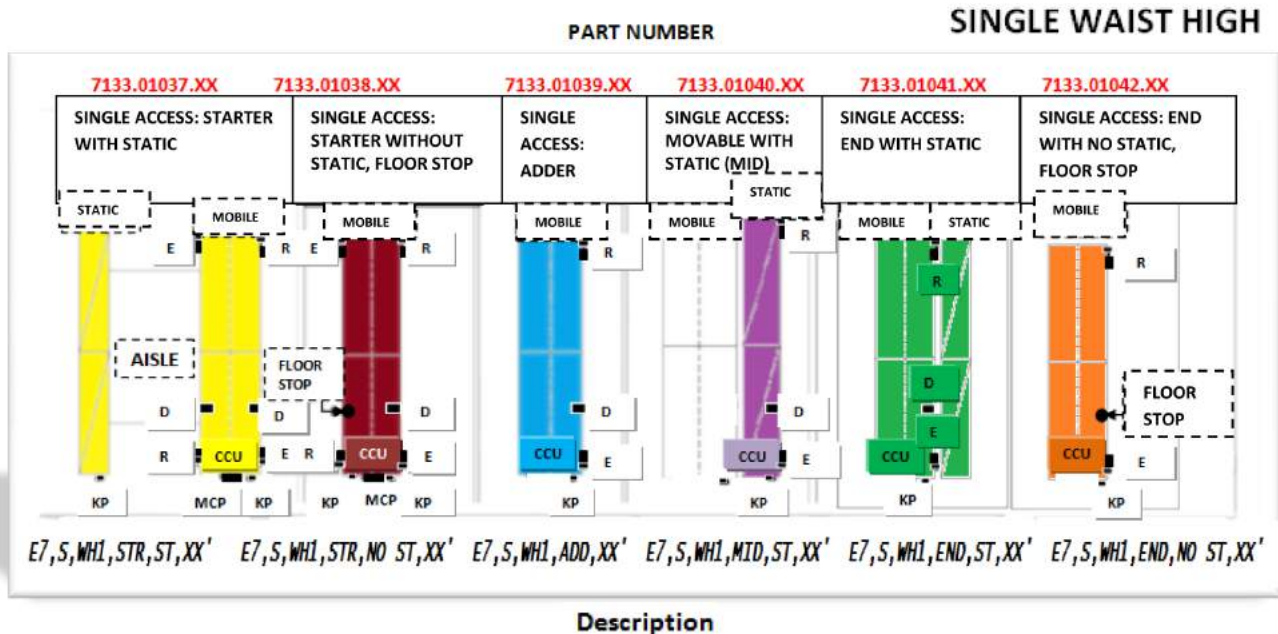


POWERED SINGLE AND DUAL ACCESS KITS

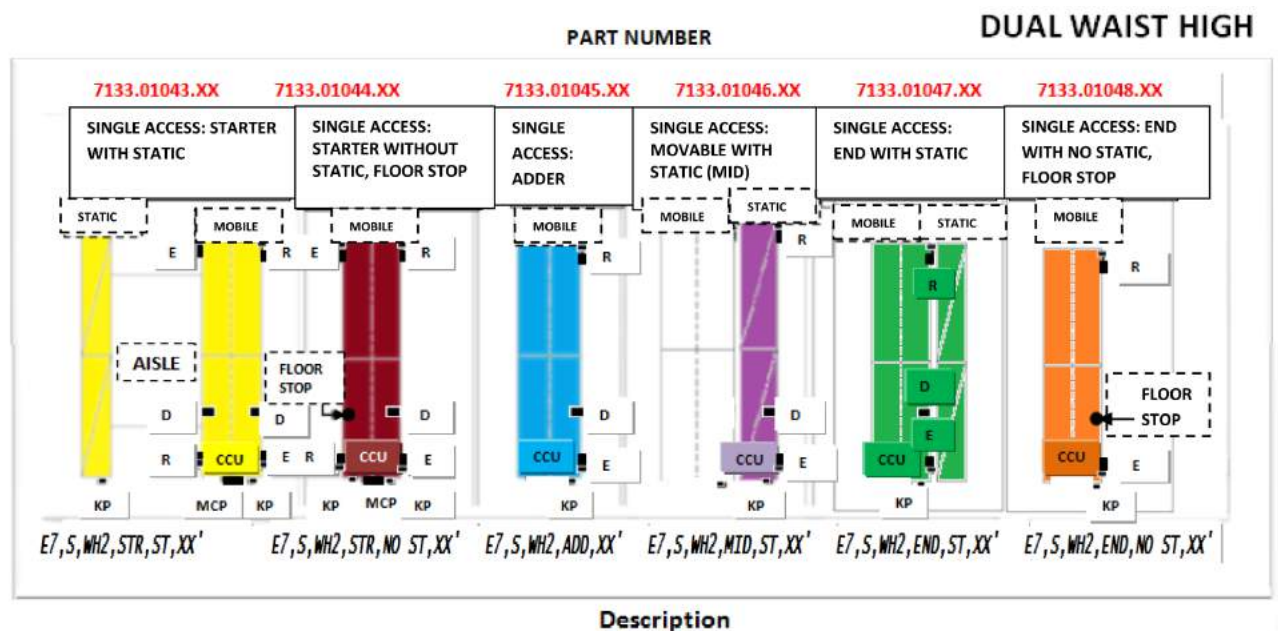
Kit part number will end in .18, .36, .51 corresponding to the maximum carriage length (in feet) the kit can accommodate.
 Kits ending in .18 can accommodate carriages of up to 216" (18 FT.)
 Kits ending in .36 can accommodate carriages larger than 216" (18 FT.) and up to 432" (36 FT.)
 Kits ending in .51 can accommodate carriages larger than 432" and up to 612" (51 FT.)

KP: KEYPAD **E: EMITTER** **NOTE: .XX** **.18, .36, .51**
D: DISTANCE SENSOR **MCP: LCD DISPLAY UNIT** **REFERS TO MAXIMUM CARRIAGE LENGTH (FEET)**
R: RECEIVER **CCU: MOBILE CONTROLLER UNIT** **10 CCU MAXIMUM PER MCP**

E7 POWERED MOBILE (SINGLE ACCESS) KIT SELECTION GUIDE



E7 POWERED MOBILE (SINGLE ACCESS) KIT SELECTION GUIDE

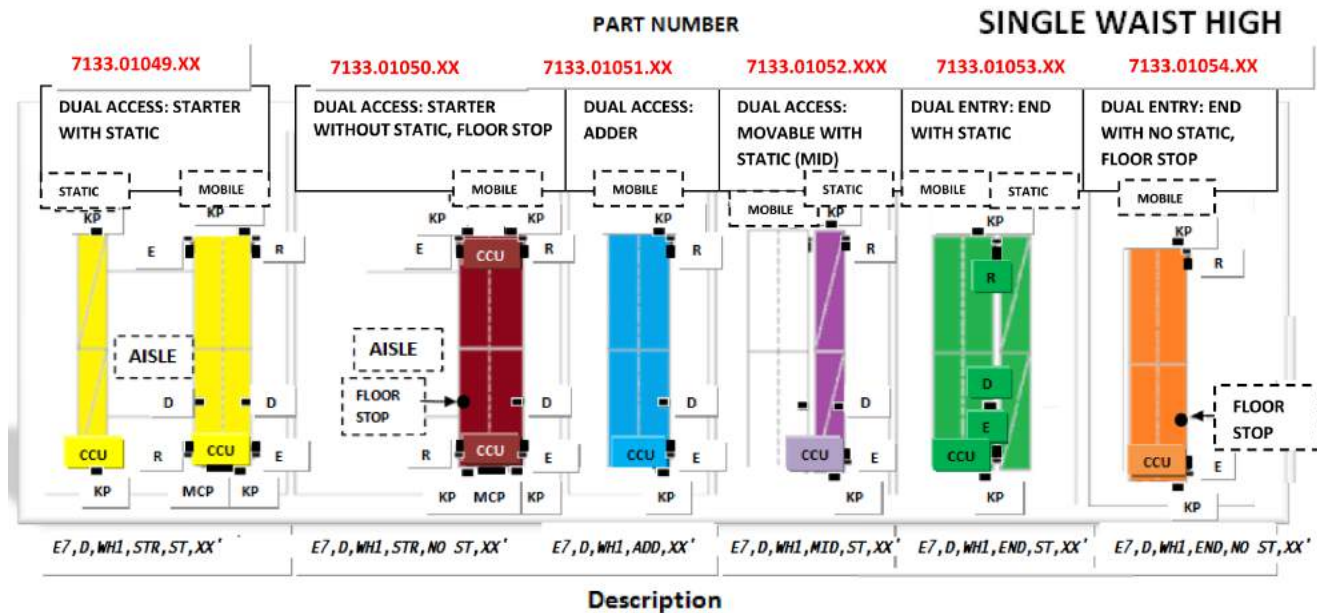


POWERED MOBILE SINGLE AND DUAL ACCESS KITS

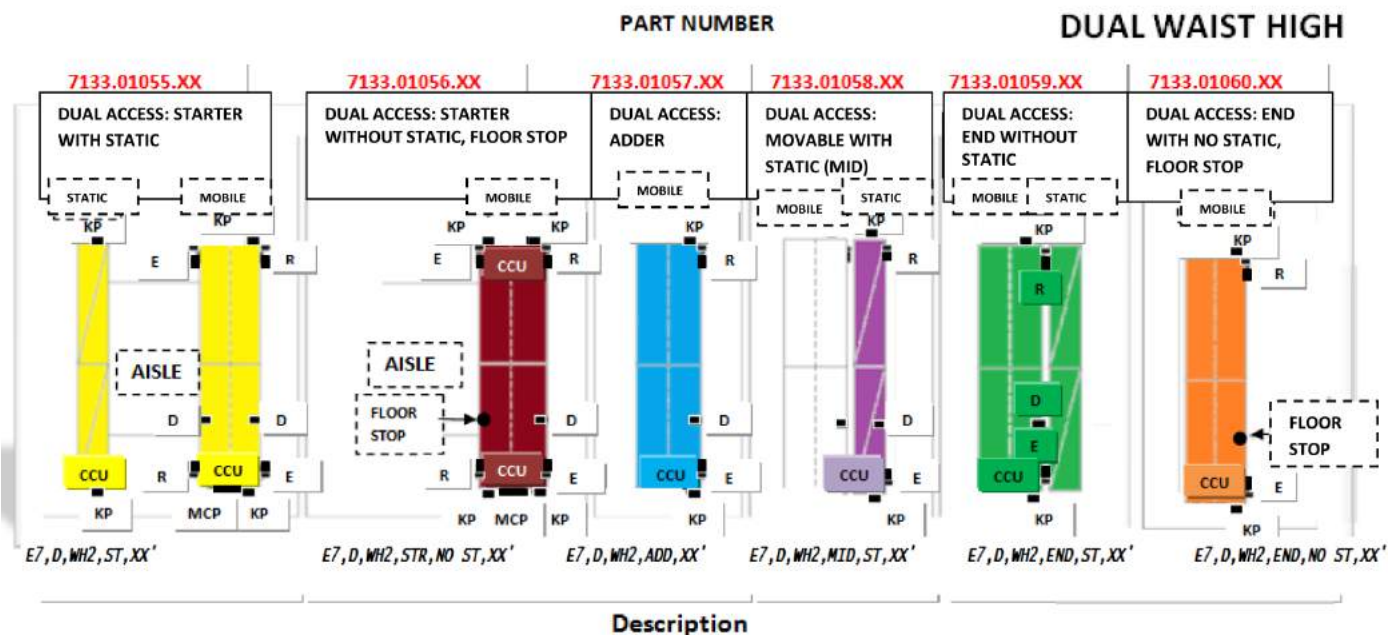
Kit part number will end in .18, .36, .51 corresponding to the maximum carriage length (in feet) the kit can accommodate.
 Kits ending in .18 can accommodate carriages of up to 216" (18 FT.)
 Kits ending in .36 can accommodate carriages larger than 216" (18 FT.) and up to 432" (36 FT.)
 Kits ending in .51 can accommodate carriages larger than 432" and up to 612" (51 FT.)

KP: KEYPAD **E: EMITTER** **NOTE: .XX** **.18, .36, .51**
D: DISTANCE SENSOR **MCP: LCD DISPLAY UNIT** **REFERS TO MAXIMUM CARRIAGE LENGTH (FEET)**
R: RECEIVER **CCU: MOBILE CONTROLLER UNIT** **10 CCU MAXIMUM PER MCP**

E7 POWERED MOBILE (DUAL ACCESS) KIT SELECTION GUIDE



E7 POWERED MOBILE (DUAL ACCESS) KIT SELECTION GUIDE



SINGLE AND DUAL ACCESS POWERED MOBILE CONTROL KITS

Kits ending in .18 can accommodate carriages of up to 216" (18 FT.)

Kits ending in .36 can accommodate carriages larger than 216" (18 FT.) and up to 432" (36 FT.)

Kits ending in .51 can accommodate carriages larger than 432" and up to 612" (51 FT.)

Part	Description	Carriage Length	Weight	Price
7133.01002.18	Single Access, Static Carriage, Starter	18'	23.50 lbs.	\$3,425.00
7133.01002.36	Single Access, Static Carriage, Starter	36'	13.38 lbs.	\$3,450.00
7133.01002.51	Single Access, Static Carriage, Starter	51'	24.50 lbs.	\$3,490.00
7133.01003.18	Single Access, Mobile Carriage, Starter	18'	21.50 lbs.	\$3,400.00
7133.01003.36	Single Access, Mobile Carriage, Starter	36'	24.50 lbs.	\$3,640.00
7133.01003.51	Single Access, Mobile Carriage, Starter	51'	25.00 lbs.	\$3,670.00
7133.01004.18	Single Access, Mobile Carriage, Adder	18'	12.88 lbs.	\$1,850.00
7133.01004.36	Single Access, Mobile Carriage, Adder	36'	13.13 lbs.	\$1,855.00
7133.01004.51	Single Access, Mobile Carriage, Adder	51'	13.38 lbs.	\$1,875.00
7133.01005.18	Single Access, Static End Carriage	18'	12.88 lbs.	\$1,850.00
7133.01005.36	Single Access, Static End Carriage	36'	13.13 lbs.	\$1,855.00
7133.01005.51	Single Access, Static End Carriage	51'	13.38 lbs.	\$1,875.00
7133.01006.18	Single Access, Mobile End Carriage	18'	12.88 lbs.	\$1,975.00
7133.01006.36	Single Access, Mobile End Carriage	36'	13.63 lbs.	\$2,050.00
7133.01006.51	Single Access, Mobile End Carriage	51'	13.88 lbs.	\$2,055.00
7133.01007.18	Dual Access, Static Carriage, Starter	18'	33.75 lbs.	\$4,850.00
7133.01007.36	Dual Access, Static Carriage, Starter	36'	35.89 lbs.	\$4,870.00
7133.01007.51	Dual Access, Static Carriage, Starter	51'	37.15 lbs.	\$4,920.00
7133.01008.18	Dual Access, Mobile Carriage, Starter	18'	34.25 lbs.	\$5,050.00
7133.01008.36	Dual Access, Mobile Carriage, Starter	36'	35.89 lbs.	\$5,060.00
7133.01008.51	Dual Access, Mobile Carriage, Starter	51'	37.65 lbs.	\$5,110.00
7133.01009.18	Dual Access, Mobile Carriage, Adder	18'	14.75 lbs.	\$2,080.00
7133.01009.36	Dual Access, Mobile Carriage, Adder	36'	15.57 lbs.	\$2,090.00
7133.01009.51	Dual Access, Mobile Carriage, Adder	51'	16.45 lbs.	\$2,115.00
7133.01010.18	Dual Access, Static End Carriage	18'	14.75 lbs.	\$2,115.00
7133.01010.36	Dual Access, Static End Carriage	36'	15.57 lbs.	\$2,080.00
7133.01010.51	Dual Access, Static End Carriage	51'	16.45 lbs.	\$2,115.00
7133.01011.18	Dual Access, Mobile End Carriage	18'	15.25 lbs.	\$2,260.00
7133.01011.36	Dual Access, Mobile End Carriage	36'	16.07 lbs.	\$2,275.00
7133.01011.51	Dual Access, Mobile End Carriage	51'	16.95 lbs.	\$2,300.00
7133.01022.18	Single Access, Static Middle Carriage	18'	19.38 lbs.	\$3,425.00
7133.01022.36	Single Access, Static Middle Carriage	36'	19.88 lbs.	\$2,840.00
7133.01022.51	Single Access, Static Middle Carriage	51'	20.38 lbs.	\$2,870.00
7133.01023.18	Dual Access, Static Middle Carriage	18'	14.25 lbs.	\$2,030.00
7133.01023.36	Dual Access, Static Middle Carriage	36'	14.95 lbs.	\$2,025.00
7133.01023.51	Dual Access, Static Middle Carriage	51'	15.83 lbs.	\$2,065.00

SINGLE AND DUAL ACCESS POWERED MOBILE CONTROL KITS

Kits ending in .18 can accommodate carriages of up to 216" (18 FT.)

Kits ending in .36 can accommodate carriages larger than 216" (18 FT.) and up to 432" (36 FT.)

Kits ending in .51 can accommodate carriages larger than 432" and up to 612" (51 FT.)

Part	Description	Carriage Length	Weight	Price
7133.01025.18	Single Access, Static Carriage, Starter, w/Aisle Entry Safety Sweep	18'	27.00 lbs.	\$4,000.00
7133.01025.36	Single Access, Static Carriage, Starter, w/Aisle Entry Safety Sweep	36'	27.50 lbs.	\$4,050.00
7133.01025.51	Single Access, Static Carriage, Starter, w/Aisle Entry Safety Sweep	51'	28.00 lbs.	\$4,100.00
7133.01026.18	Single Access, Mobile Carriage, Starter, w/Aisle Entry Safety Sweep	18'	27.50 lbs.	\$4,200.00
7133.01026.36	Single Access, Mobile Carriage, Starter, w/Aisle Entry Safety Sweep	36'	28.00 lbs.	\$4,250.00
7133.01026.51	Single Access, Mobile Carriage, Starter, w/Aisle Entry Safety Sweep	51'	28.50 lbs.	\$4,300.00
7133.01027.18	Single Access, Mobile Carriage, Adder, w/Aisle Entry Safety Sweep	18'	14.62 lbs.	\$2,150.00
7133.01027.36	Single Access, Mobile Carriage, Adder, w/Aisle Entry Safety Sweep	36'	14.88 lbs.	\$2,150.00
7133.01027.51	Single Access, Mobile Carriage, Adder, w/Aisle Entry Safety Sweep	51'	15.13 lbs.	\$2,200.00
7133.01028.18	Single Access, Static Middle Carriage, w/Aisle Entry Safety Sweep	18'	14.13 lbs.	\$2,100.00
7133.01028.36	Single Access, Static Middle Carriage, w/Aisle Entry Safety Sweep	36'	14.38 lbs.	\$2,100.00
7133.01028.51	Single Access, Static Middle Carriage, w/Aisle Entry Safety Sweep	51'	14.63 lbs.	\$2,150.00
7133.01029.18	Single Access, Static End Carriage, w/Aisle Entry Safety Sweep	18'	14.63 lbs.	\$2,150.00
7133.01029.36	Single Access, Static End Carriage, w/Aisle Entry Safety Sweep	36'	14.88 lbs.	\$2,150.00
7133.01029.51	Single Access, Static End Carriage, w/Aisle Entry Safety Sweep	51'	15.13 lbs.	\$2,200.00
7133.01030.18	Single Access, Mobile End Carriage, w/Aisle Entry Safety Sweep	18'	15.13 lbs.	\$2,300.00
7133.01030.36	Single Access, Mobile End Carriage, w/Aisle Entry Safety Sweep	36'	15.38 lbs.	\$2,300.00
7133.01030.51	Single Access, Mobile End Carriage, w/Aisle Entry Safety Sweep	51'	15.63 lbs.	\$2,400.00
7133.01031.18	Dual Access, Static Carriage, Starter, w/Aisle Entry Safety Sweep	18'	49.75 lbs.	\$6,185.00
7133.01031.36	Dual Access, Static Carriage, Starter, w/Aisle Entry Safety Sweep	36'	52.39 lbs.	\$6,300.00
7133.01031.51	Dual Access, Static Carriage, Starter, w/Aisle Entry Safety Sweep	51'	55.15 lbs.	\$6,450.00
7133.01032.18	Dual Access, Mobile Carriage, Starter, w/Aisle Entry Safety Sweep	18'	51.00 lbs.	\$6,450.00
7133.01032.36	Dual Access, Mobile Carriage, Starter, w/Aisle Entry Safety Sweep	36'	53.64 lbs.	\$6,550.00
7133.01032.51	Dual Access, Mobile Carriage, Starter, w/Aisle Entry Safety Sweep	51'	56.40 lbs.	\$6,700.00
7133.01033.18	Dual Access, Mobile Carriage, Adder, w/Aisle Entry Safety Sweep	18'	22.75 lbs.	\$2,750.00
7133.01033.36	Dual Access, Mobile Carriage, Adder, w/Aisle Entry Safety Sweep	36'	24.07 lbs.	\$2,800.00
7133.01033.51	Dual Access, Mobile Carriage, Adder, w/Aisle Entry Safety Sweep	51'	25.45 lbs.	\$2,900.00
7133.01034.18	Dual Access, Static Middle Carriage, w/Aisle Entry Safety Sweep	18'	22.25 lbs.	\$2,700.00
7133.01034.36	Dual Access, Static Middle Carriage, w/Aisle Entry Safety Sweep	36'	23.57 lbs.	\$2,750.00
7133.01034.51	Dual Access, Static Middle Carriage, w/Aisle Entry Safety Sweep	51'	24.95 lbs.	\$2,850.00
7133.01035.18	Dual Access, Static End Carriage, w/Aisle Entry Safety Sweep	18'	22.75 lbs.	\$2,750.00
7133.01035.36	Dual Access, Static End Carriage, w/Aisle Entry Safety Sweep	36'	24.07 lbs.	\$2,800.00
7133.01035.51	Dual Access, Static End Carriage, w/Aisle Entry Safety Sweep	51'	25.45 lbs.	\$2,900.00
7133.01036.18	Dual Access, Mobile End Carriage, w/Aisle Entry Safety Sweep	18'	23.25 lbs.	\$2,925.00
7133.01036.36	Dual Access, Mobile End Carriage, w/Aisle Entry Safety Sweep	36'	24.57 lbs.	\$3,000.00
7133.01036.51	Dual Access, Mobile End Carriage, w/Aisle Entry Safety Sweep	51'	25.95 lbs.	\$3,075.00

SINGLE AND DUAL ACCESS POWERED MOBILE CONTROL KITS

Kits ending in .18 can accommodate carriages of up to 216" (18 FT.)

Kits ending in .36 can accommodate carriages larger than 216" (18 FT.) and up to 432" (36 FT.)

Kits ending in .51 can accommodate carriages larger than 432" and up to 612" (51 FT.)

Part	Description	Carriage Length	Weight	Price
7133.01037.18	Single Access, Single Waist High Safety, Static Carriage, Starter	18'	31.00 lbs.	\$4,200.00
7133.01037.36	Single Access, Single Waist High Safety, Static Carriage, Starter	36'	32.00 lbs.	\$4,250.00
7133.01037.51	Single Access, Single Waist High Safety, Static Carriage, Starter	51'	33.00 lbs.	\$4,275.00
7133.01038.18	Single Access, Single Waist High Safety, Mobile Carriage, Starter	18'	31.50 lbs.	\$4,400.00
7133.01038.36	Single Access, Single Waist High Safety, Mobile Carriage, Starter	36'	32.50 lbs.	\$4,450.00
7133.01038.51	Single Access, Single Waist High Safety, Mobile Carriage, Starter	51'	33.50 lbs.	\$4,475.00
7133.01039.18	Single Access, Single Waist High Safety, Mobile Carriage, Adder	18'	16.63 lbs.	\$2,250.00
7133.01039.36	Single Access, Single Waist High Safety, Mobile Carriage, Adder	36'	17.13 lbs.	\$2,275.00
7133.01039.51	Single Access, Single Waist High Safety, Mobile Carriage, Adder	51'	17.63 lbs.	\$2,300.00
7133.01040.18	Single Access, Single Waist High Safety, Static Middle Carriage	18'	16.13 lbs.	\$2,175.00
7133.01040.36	Single Access, Single Waist High Safety, Static Middle Carriage	36'	16.63 lbs.	\$2,200.00
7133.01040.51	Single Access, Single Waist High Safety, Static Middle Carriage	51'	17.13 lbs.	\$2,225.00
7133.01041.18	Single Access, Single Waist High Safety, Static End Carriage	18'	16.63 lbs.	\$2,250.00
7133.01041.36	Single Access, Single Waist High Safety, Static End Carriage	36'	17.13 lbs.	\$2,275.00
7133.01041.51	Single Access, Single Waist High Safety, Static End Carriage	51'	17.63 lbs.	\$2,300.00
7133.01042.18	Single Access, Single Waist High Safety, Mobile End Carriage	18'	17.13 lbs.	\$2,450.00
7133.01042.36	Single Access, Single Waist High Safety, Mobile End Carriage	36'	17.63 lbs.	\$2,475.00
7133.01042.51	Single Access, Single Waist High Safety, Mobile End Carriage	51'	18.13 lbs.	\$2,500.00
7133.01043.18	Single Access, Dual Waist High Safety, Static Carriage, Starter	18'	26.00 lbs.	\$4,300.00
7133.01043.36	Single Access, Dual Waist High Safety, Static Carriage, Starter	36'	26.50 lbs.	\$4,400.00
7133.01043.51	Single Access, Dual Waist High Safety, Static Carriage, Starter	51'	27.00 lbs.	\$4,500.00
7133.01044.18	Single Access, Dual Waist High Safety, Mobile Carriage, Starter	18'	26.50 lbs.	\$4,500.00
7133.01044.36	Single Access, Dual Waist High Safety, Mobile Carriage, Starter	36'	26.50 lbs.	\$4,600.00
7133.01044.51	Single Access, Dual Waist High Safety, Mobile Carriage, Starter	51'	26.50 lbs.	\$4,650.00
7133.01045.18	Single Access, Dual Waist High Safety, Mobile Carriage, Adder	18'	14.13 lbs.	\$3,300.00
7133.01045.36	Single Access, Dual Waist High Safety, Mobile Carriage, Adder	36'	14.13 lbs.	\$3,350.00
7133.01045.51	Single Access, Dual Waist High Safety, Mobile Carriage, Adder	51'	14.13 lbs.	\$3,450.00
7133.01046.18	Single Access, Dual Waist High Safety, Static Middle Carriage	18'	13.63 lbs.	\$3,250.00
7133.01046.36	Single Access, Dual Waist High Safety, Static Middle Carriage	36'	13.63 lbs.	\$3,300.00
7133.01046.51	Single Access, Dual Waist High Safety, Static Middle Carriage	51'	13.63 lbs.	\$3,400.00
7133.01047.18	Single Access, Dual Waist High Safety, Static End Carriage	18'	14.13 lbs.	\$3,300.00
7133.01047.36	Single Access, Dual Waist High Safety, Static End Carriage	36'	14.13 lbs.	\$3,350.00
7133.01047.51	Single Access, Dual Waist High Safety, Static End Carriage	51'	14.13 lbs.	\$3,450.00
7133.01048.18	Single Access, Dual Waist High Safety, Mobile End Carriage	18'	14.63 lbs.	\$3,500.00
7133.01048.36	Single Access, Dual Waist High Safety, Mobile End Carriage	36'	14.63 lbs.	\$3,550.00
7133.01048.51	Single Access, Dual Waist High Safety, Mobile End Carriage	51'	14.63 lbs.	\$3,600.00

SINGLE AND DUAL ACCESS POWERED MOBILE CONTROL KITS

Kits ending in .18 can accommodate carriages of up to 216" (18 FT.)

Kits ending in .36 can accommodate carriages larger than 216" (18 FT.) and up to 432" (36 FT.)

Kits ending in .51 can accommodate carriages larger than 432" and up to 612" (51 FT.)

Part	Description	Carriage Length	Weight	Price
7133.01049.18	Dual Access, Single Waist High Safety, Static Carriage, Starter	18'	41.25 lbs.	\$5,750.00
7133.01049.36	Dual Access, Single Waist High Safety, Static Carriage, Starter	36'	43.39 lbs.	\$5,850.00
7133.01049.51	Dual Access, Single Waist High Safety, Static Carriage, Starter	51'	45.65 lbs.	\$5,950.00
7133.01050.18	Dual Access, Single Waist High Safety, Mobile, Starter	18'	42.50 lbs.	\$6,000.00
7133.01050.36	Dual Access, Single Waist High Safety, Mobile, Starter	36'	44.64 lbs.	\$6,100.00
7133.01050.51	Dual Access, Single Waist High Safety, Mobile, Starter	51'	46.90 lbs.	\$6,200.00
7133.01051.18	Dual Access, Single Waist High Safety, Mobile Carriage, Adder	18'	18.50 lbs.	\$2,550.00
7133.01051.36	Dual Access, Single Waist High Safety, Mobile Carriage, Adder	36'	19.57 lbs.	\$2,600.00
7133.01051.51	Dual Access, Single Waist High Safety, Mobile Carriage, Adder	51'	20.70 lbs.	\$2,650.00
7133.01052.18	Dual Access, Single Waist High Safety, Static Middle Carriage	18'	18.00 lbs.	\$2,500.00
7133.01052.36	Dual Access, Single Waist High Safety, Static Middle Carriage	36'	19.07 lbs.	\$2,550.00
7133.01052.51	Dual Access, Single Waist High Safety, Static Middle Carriage	51'	20.20 lbs.	\$2,600.00
7133.01053.18	Dual Access, Single Waist High Safety, Static End Carriage	18'	18.50 lbs.	\$2,550.00
7133.01053.36	Dual Access, Single Waist High Safety, Static End Carriage	36'	19.57 lbs.	\$2,600.00
7133.01053.51	Dual Access, Single Waist High Safety, Static End Carriage	51'	20.70 lbs.	\$2,650.00
7133.01054.18	Dual Access, Single Waist High Safety, Mobile End Carriage	18'	19.00 lbs.	\$2,700.00
7133.01054.36	Dual Access, Single Waist High Safety, Mobile End Carriage	36'	20.07 lbs.	\$2,750.00
7133.01054.51	Dual Access, Single Waist High Safety, Mobile End Carriage	51'	21.20 lbs.	\$2,800.00
7133.01055.18	Dual Access, Dual Waist High Safety, Static Carriage, Starter	18'	41.25 lbs.	\$5,750.00
7133.01055.36	Dual Access, Dual Waist High Safety, Static Carriage, Starter	36'	43.39 lbs.	\$5,850.00
7133.01055.51	Dual Access, Dual Waist High Safety, Static Carriage, Starter	51'	46.65 lbs.	\$5,950.00
7133.01056.18	Dual Access, Dual Waist High Safety, Mobile Carriage, Starter	18'	42.50 lbs.	\$6,000.00
7133.01056.36	Dual Access, Dual Waist High Safety, Mobile Carriage, Starter	36'	44.64 lbs.	\$6,100.00
7133.01056.51	Dual Access, Dual Waist High Safety, Mobile Carriage, Starter	51'	46.90 lbs.	\$6,200.00
7133.01057.18	Dual Access, Dual Waist High Safety, Mobile Carriage, Adder	18'	26.38 lbs.	\$3,550.00
7133.01057.36	Dual Access, Dual Waist High Safety, Mobile Carriage, Adder	36'	27.95 lbs.	\$3,600.00
7133.01057.51	Dual Access, Dual Waist High Safety, Mobile Carriage, Adder	51'	29.58 lbs.	\$3,700.00
7133.01058.18	Dual Access, Dual Waist High Safety, Static Middle Carriage	18'	25.88 lbs.	\$3,500.00
7133.01058.36	Dual Access, Dual Waist High Safety, Static Middle Carriage	36'	27.45 lbs.	\$3,550.00
7133.01058.51	Dual Access, Dual Waist High Safety, Static Middle Carriage	51'	29.08 lbs.	\$3,650.00
7133.01059.18	Dual Access, Dual Waist High Safety, Static End Carriage	18'	26.38 lbs.	\$3,550.00
7133.01059.36	Dual Access, Dual Waist High Safety, Static End Carriage	36'	27.95 lbs.	\$3,600.00
7133.01059.51	Dual Access, Dual Waist High Safety, Static End Carriage	51'	29.58 lbs.	\$3,700.00
7133.01060.18	Dual Access, Dual Waist High Safety, Mobile End Carriage	18'	26.88 lbs.	\$3,750.00
7133.01060.36	Dual Access, Dual Waist High Safety, Mobile End Carriage	36'	28.45 lbs.	\$3,800.00
7133.01060.51	Dual Access, Dual Waist High Safety, Mobile End Carriage	51'	30.08 lbs.	\$3,900.00

LOW PROFILE CARRIAGES



Length Ft. (In.)	Number of Rails	Mechanical Mobile 12" - 24" Depth Item# 5750.MAxxx.yy	Net Weight (lbs.)	Static 9" - 24" Depth Item# 5750.STxxx.yy	Net Weight (lbs.)	Manual 15" - 24" Depth Item# 5750.HPxxx.yy	Net Weight (lbs.)
		List Price		List Price		List Price	
3' (36")	2	\$1,505.00	76	\$442.00	24	\$1,142.00	65
4' (48")	2	\$1,521.00	81	\$481.00	29	\$1,155.00	70
5' (60")	2	\$1,528.00	92	\$532.00	39	\$1,177.00	85
6' (72")	2	\$1,543.00	102	\$544.00	43	\$1,193.00	95
7' (84")	2	\$1,558.00	108	\$552.00	48	\$1,209.00	100
8' (96")	2	\$1,632.00	113	\$563.00	53	\$1,254.00	106
9' (108")	2	\$1,800.00	129	\$776.00	68	\$1,452.00	121
10' (120")	3	\$2,073.00	163	\$798.00	72	\$1,795.00	150
11' (132")	3	\$2,121.00	170	\$836.00	77	\$1,874.00	156
12' (144")	3	\$2,235.00	177	\$875.00	82	\$1,969.00	162
13' (156")	3	\$2,325.00	183	\$905.00	92		
14' (168")	3	\$2,402.00	195	\$957.00	96		
15' (180")	4	\$2,559.00	217	\$1,019.00	101		
16' (192")	4	\$2,622.00	228	\$1,049.00	106		
17' (204")	4	\$2,658.00	244	\$1,078.00	121		
18' (216")	4	\$2,835.00	260	\$1,111.00	125		
19' (228")	4	\$3,135.00	257	\$1,142.00	130		
20' (240")	4	\$3,176.00	263	\$1,172.00	135		
21' (252")	5	\$3,418.00	307	\$1,399.00	145		
22' (264")	5	\$3,496.00	309	\$1,428.00	149		
23' (276")	5	\$3,572.00	315	\$1,458.00	154		
24' (288")	5	\$3,647.00	317	\$1,488.00	159		

xxx = Length in Inches
yy = Depth in Inches

Mechanical Prices Include:	Carriage and (2) Label Holders
Static Prices Include:	Carriage and (1) Label Holder
Manual Prices Include:	Carriage and (2) Label Holders
For Loads in Excess of 1000 lbs. per Linear Foot, Please Consult Customer Service.	
5100.00700	Welded Carriage Lip (.75" high) can be added to any carriage. Adds .25" to depth of the carriage.
	\$37.00 List/per ft. per carriage
5100.00800	Dual Aisle Safety Lock per Carriage
	\$812.00 List

LOW PROFILE CARRIAGES

Length Ft. (In.)	Number of Rails	Mechanical Mobile 25" - 48" Depth Item# 5750.MAxxx.yy	Net Weight (lbs.)	Static 25" - 48" Depth Item# 5750.STxxx.yy	Net Weight (lbs.)	Manual 25" - 48" Depth Item# 5750.HPxxx.yy	Net Weight (lbs.)
		List Price		List Price		List Price	
3' (36")	2	\$1,521.00	100	\$502.00	34	\$1,216.00	84
4' (48")	2	\$1,550.00	106	\$518.00	39	\$1,230.00	90
5' (60")	2	\$1,558.00	121	\$555.00	53	\$1,311.00	114
6' (72")	2	\$1,572.00	136	\$575.00	58	\$1,397.00	129
7' (84")	2	\$1,588.00	141	\$583.00	63	\$1,488.00	134
8' (96")	2	\$1,643.00	147	\$596.00	68	\$1,584.00	139
9' (108")	2	\$1,808.00	172	\$829.00	92	\$1,710.00	164
10' (120")	3	\$2,143.00	216	\$865.00	97	\$2,122.00	203
11' (132")	3	\$2,279.00	223	\$905.00	101	\$2,217.00	209
12' (144")	3	\$2,356.00	230	\$943.00	106	\$2,338.00	215
13' (156")	3	\$2,431.00	236	\$979.00	121		
14' (168")	3	\$2,506.00	253	\$1,019.00	125		
15' (180")	4	\$2,736.00	280	\$1,063.00	130		
16' (192")	4	\$2,887.00	296	\$1,111.00	135		
17' (204")	4	\$3,039.00	321	\$1,142.00	159		
18' (216")	4	\$3,190.00	347	\$1,170.00	164		
19' (228")	4	\$3,342.00	334	\$1,200.00	169		
20' (240")	4	\$3,493.00	340	\$1,230.00	174		
21' (252")	5	\$3,723.00	380	\$1,458.00	188		
22' (264")	5	\$3,874.00	401	\$1,487.00	193		
23' (276")	5	\$4,027.00	407	\$1,521.00	198		
24' (288")	5	\$4,178.00	410	\$1,550.00	203		

xxx = Length in Inches
yy = Depth in Inches

Mechanical Prices Include:	Carriage and (2) Label Holders
Static Prices Include:	Carriage and (1) Label Holder
Manual Prices Include:	Carriage and (2) Label Holders
For Loads in Excess of 1000 lbs. per Linear Foot, Please Consult Customer Service.	
5100.00700	Welded Carriage Lip (.75" high) can be added to any carriage. Adds .25" to depth of the carriage. \$37.00 List/per ft. per carriage
5100.00800	Dual Aisle Safety Lock per Carriage \$812.00 List

LOW PROFILE CARRIAGES



Length Ft. (In.)	Number of Rails	Mechanical Mobile 49" - 60" Depth Item# 5750.MAxxx.yy	Net Weight (lbs.)	Static 49" - 60" Depth Item# 5750.STxxx.yy	Net Weight (lbs.)	Manual 49" - 60" Depth Item# 5750.HPxxx.yy	Net Weight (lbs.)
		List Price		List Price		List Price	
3' (36")	2	\$1,707.00	112	\$592.00	39	\$1,350.00	94
4' (48")	2	\$1,752.00	118	\$660.00	43	\$1,371.00	99
5' (60")	2	\$1,847.00	136	\$764.00	60	\$1,444.00	129
6' (72")	2	\$2,004.00	153	\$794.00	65	\$1,604.00	146
7' (84")	2	\$2,044.00	158	\$864.00	70	\$1,769.00	151
8' (96")	2	\$2,094.00	164	\$882.00	75	\$1,958.00	156
9' (108")	2	\$2,402.00	194	\$1,149.00	104	\$2,098.00	186
10' (120")	3	\$2,924.00	243	\$1,178.00	109	\$2,602.00	230
11' (132")	3	\$2,989.00	250	\$1,212.00	113	\$2,660.00	236
12' (144")	3	\$3,002.00	256	\$1,244.00	118	\$2,806.00	242
13' (156")	3	\$3,036.00	263	\$1,272.00	135		
14' (168")	3	\$3,285.00	282	\$1,300.00	140		
15' (180")	4	\$3,623.00	311	\$1,326.00	145		
16' (192")	4	\$3,813.00	330	\$1,356.00	150		
17' (204")	4	\$4,103.00	360	\$1,383.00	179		
18' (216")	4	\$4,177.00	373	\$1,417.00	183		
19' (228")	4	\$4,347.00	379	\$1,444.00	188		
20' (240")	4	\$4,384.00	402	\$1,471.00	193		
21' (252")	5	\$4,973.00	425	\$1,607.00	210		
22' (264")	5	\$5,015.00	437	\$1,719.00	215		
23' (276")	5	\$5,122.00	448	\$1,805.00	220		
24' (288")	5	\$5,156.00	452	\$1,853.00	224		

xxx = Length in Inches
yy = Depth in Inches

Mechanical Prices Include:	Carriage and (2) Label Holders
Static Prices Include:	Carriage and (1) Label Holder
Manual Prices Include:	Carriage and (2) Label Holders
For Loads in Excess of 1000 lbs. per Linear Foot, Please Consult Customer Service.	
5100.00700	Welded Carriage Lip (.75" high) can be added to any carriage. Adds .25" to depth of the carriage. \$37.00 List/per ft. per carriage
5100.00800	Dual Aisle Safety Lock per Carriage \$812.00 List

LOW PROFILE CARRIAGES

CARRIAGE PLATES AND COVERS

Carriage Plate is used for additional structural support for carriage applications other than 4 post shelving.
 Carriage Cover is for wire shelving application to cover the top of the open carriage.

Length Ft. (In.)	12GA CARRIAGE PLATE 9" - 24" Width Item# 3500.09127.xxx.yy	12GA CARRIAGE PLATE Net Weight (lbs.)	22GA CARRIAGE COVER 9" - 24" Width Item# 3500.09128.xxx.yy	22GA CARRIAGE COVER Net Weight (lbs.)
	List Price		List Price	
3' (36")	\$57.00	21.10	\$30.30	6.20
4' (48")	\$76.00	28.10	\$40.65	8.20
5' (60")	\$95.00	35.10	\$50.75	10.30
6' (72")	\$114.00	42.10	\$61.00	12.40
7' (84")	\$133.00	49.10	\$71.00	14.40
8' (96")	\$152.00	56.20	\$81.00	16.50
9' (108")	\$171.00	63.20	\$91.00	18.60
10' (120")	\$190.00	70.20	\$101.00	20.60
11' (132")	\$209.00	77.20	\$112.00	22.70
12' (144")	\$228.00	84.20	\$122.00	24.70
13' (156")	\$247.00	91.20	\$132.00	26.80
14' (168")	\$266.00	98.20	\$142.00	28.90
15' (180")	\$285.00	105.30	\$152.00	30.90
16' (192")	\$304.00	112.30	\$162.00	33.00
17' (204")	\$323.00	119.30	\$172.00	35.10
18' (216")	\$342.00	126.30	\$182.00	37.10
19' (228")	\$361.00	133.30	\$193.00	39.20
20' (240")	\$380.00	140.30	\$203.00	41.20
21' (252")	\$399.00	147.40	\$213.00	43.30
22' (264")	\$418.00	154.40	\$223.00	45.40
23' (276")	\$437.00	161.40	\$233.00	47.40
24' (288")	\$456.00	168.40	\$243.00	50.50

xxx = Length in Inches
yy = Depth in Inches

LOW PROFILE CARRIAGES

CARRIAGE PLATES AND COVERS

Carriage Plate is used for additional structural support for carriage applications other than 4 post shelving.
 Carriage Cover is for wire shelving application to cover the top of the open carriage.

Length Ft. (In.)	12GA CARRIAGE PLATE 25" - 48" Width Item# 3500.09127.xxx.yy	12GA CARRIAGE PLATE Net Weight (lbs.)	22GA CARRIAGE COVER 25" - 48" Width Item# 3500.09128.xxx.yy	22GA CARRIAGE COVER Net Weight (lbs.)
	List Price		List Price	
3' (36")	\$123.00	45.40	\$65.00	13.30
4' (48")	\$164.00	60.50	\$87.00	17.80
5' (60")	\$205.00	75.60	\$109.00	22.20
6' (72")	\$246.00	90.70	\$131.00	26.70
7' (84")	\$287.00	105.90	\$153.00	31.10
8' (96")	\$328.00	121.00	\$175.00	35.00
9' (108")	\$368.00	136.10	\$196.00	40.00
10' (120")	\$410.00	151.20	\$218.00	44.40
11' (132")	\$450.00	166.30	\$240.00	48.90
12' (144")	\$491.00	181.40	\$262.00	53.80
13' (156")	\$532.00	196.50	\$284.00	57.80
14' (168")	\$573.00	211.60	\$306.00	62.20
15' (180")	\$614.00	226.80	\$327.00	66.70
16' (192")	\$655.00	241.90	\$349.00	71.10
17' (204")	\$696.00	257.00	\$371.00	75.50
18' (216")	\$737.00	272.10	\$393.00	80.00
19' (228")	\$778.00	287.20	\$415.00	84.40
20' (240")	\$819.00	302.30	\$437.00	88.90
21' (252")	\$860.00	317.50	\$458.00	93.30
22' (264")	\$901.00	332.60	\$480.00	97.80
23' (276")	\$942.00	347.70	\$502.00	102.20
24' (288")	\$983.00	362.80	\$524.00	106.60

xxx = Length in Inches
 yy = Depth in Inches

LOW PROFILE CARRIAGES

CARRIAGE PLATES AND COVERS

Carriage Plate is used for additional structural support for carriage applications other than 4 post shelving.
 Carriage Cover is for wire shelving application to cover the top of the open carriage.

Length Ft. (In.)	12GA CARRIAGE PLATE 49" - 60" Width Item# 3500.09127.xxx.yy	12GA CARRIAGE PLATE Net Weight (lbs.)	22GA CARRIAGE COVER 49" - 60" Width Item# 3500.09128.xxx.yy	22GA CARRIAGE COVER Net Weight (lbs.)
	List Price		List Price	
3' (36")	\$156.00	57.50	\$83.00	16.90
4' (48")	\$208.00	76.70	\$111.00	22.60
5' (60")	\$260.00	95.80	\$138.00	28.20
6' (72")	\$312.00	115.00	\$166.00	33.80
7' (84")	\$364.00	134.20	\$194.00	39.40
8' (96")	\$415.00	153.30	\$221.00	45.10
9' (108")	\$467.00	172.50	\$249.00	50.70
10' (120")	\$519.00	191.50	\$277.00	56.30
11' (132")	\$571.00	210.80	\$304.00	62.00
12' (144")	\$623.00	230.00	\$332.00	67.60
13' (156")	\$675.00	249.20	\$360.00	73.20
14' (168")	\$727.00	268.30	\$387.00	78.90
15' (180")	\$779.00	287.50	\$415.00	84.50
16' (192")	\$831.00	306.70	\$443.00	90.10
17' (204")	\$883.00	325.80	\$470.00	95.80
18' (216")	\$935.00	345.00	\$498.00	101.40
19' (228")	\$986.00	364.20	\$526.00	107.00
20' (240")	\$1,038.00	383.30	\$553.00	112.60
21' (252")	\$1,090.00	402.50	\$581.00	118.30
22' (264")	\$1,142.00	421.70	\$609.00	123.90
23' (276")	\$1,194.00	440.80	\$637.00	129.50
24' (288")	\$1,246.00	460.00	\$664.00	135.20

xxx = Length in Inches
yy = Depth in Inches

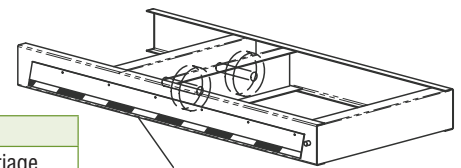
1000 SERIES CARRIAGES

(1000 lbs. per Linear Ft. Capacity)

Length Ft. (In.)	Number of Rails	Mechanical Mobile 15" - 24" Depth Item# 5100.MAxxx.yy	Net Weight (lbs.)	Static 9" - 24" Depth Item# 5100.STxxx.yy	Net Weight (lbs.)	Manual 15" - 24" Depth Item# 5100.HPxxx.yy	Net Weight (lbs.)
		List Price			List Price		
3' (36")	2	\$1,701.00	93	\$443.00	31	\$1,142.00	73
4' (48")	2	\$1,724.00	101	\$482.00	37	\$1,230.00	81
5' (60")	2	\$1,823.00	127	\$593.00	49	\$1,322.00	95
6' (72")	2	\$1,838.00	135	\$623.00	55	\$1,328.00	113
7' (84")	2	\$1,854.00	140	\$646.00	62	\$1,330.00	118
8' (96")	2	\$1,884.00	148	\$670.00	68	\$1,343.00	126
9' (108")	2	\$2,212.00	168	\$887.00	86	\$1,524.00	145
10' (120")	2	\$2,309.00	175	\$928.00	92	\$1,703.00	152
11' (132")	3	\$2,750.00	217	\$965.00	99	\$1,883.00	185
12' (144")	3	\$2,796.00	219	\$1,002.00	111	\$2,062.00	186
13' (156")	3	\$2,887.00	239	\$1,042.00	117	\$2,241.00	206
14' (168")	3	\$2,916.00	246	\$1,078.00	123	\$2,421.00	213
15' (180")	3	\$2,962.00	266	\$1,117.00	129	\$2,600.00	232
16' (192")	3	\$2,992.00	261	\$1,142.00	135	\$2,780.00	227
17' (204")	4	\$3,799.00	316	\$1,336.00	154		
18' (216")	4	\$3,813.00	330	\$1,383.00	166		
19' (228")	4	\$3,830.00	325	\$1,428.00	166		
20' (240")	4	\$3,843.00	351	\$1,474.00	178		
21' (252")	4	\$3,860.00	352	\$1,521.00	185		
22' (264")	4	\$3,874.00	360	\$1,565.00	197		
23' (276")	5	\$4,734.00	403	\$1,613.00	197		
24' (288")	5	\$4,755.00	410	\$1,643.00	203		

xxx = Length in Inches
yy = Depth in Inches

Mechanical Prices Include:	Carriage and (2) Label Holders	
Static Prices Include:	Carriage and (1) Label Holder	
Manual Prices Include:	Carriage and (2) Label Holders	
For Loads in Excess of 1000 lbs. per Linear Foot, Please Consult Customer Service.		
5100.00700	Welded Carriage Lip (.75" high) can be added to any carriage. Adds .25" to the depth of the carriage.	\$37.00 List/per ft. per carriage
5100.00800	Dual Aisle Safety Lock per Carriage	\$812.00 List
5100.00900	Mechanical Safety Sweep 1"d x 4"h x variable length Price includes safety sweep on both sides of the carriage and 2 bumpers for one side of the carriage. Additional bumpers are required. Order part number 3750.0006 (package of 2). Safety sweep adds 2.5" to the overall depth of the carriage.	\$114.00 List/per ft. per carriage



Mechanical Safety Sweep with Safety Tape

1lbs./ft.

1000 SERIES CARRIAGES

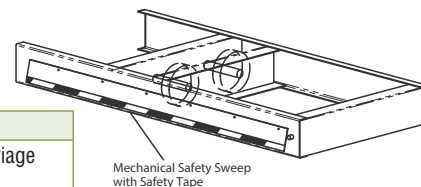
(1000 lbs. per Linear Ft. Capacity)

Length Ft. (In.)	Number of Rails	Mechanical Mobile 15" - 24" Depth Item# 5100.MASDxxx.yy	Net Weight (lbs.)	Static 9" - 24" Depth Item# 5100.STxxx.yy	Net Weight (lbs.)
	G=Guide R=Running	List Price		List Price	
25' (300")	2-G;3-R	\$5,165.00	456	\$1,521.00	228
26' (312")	2-G;3-R	\$5,287.00	470	\$1,626.00	234
27' (324")	2-G;3-R	\$5,408.00	477	\$1,734.00	240
28' (336")	2-G;3-R	\$5,531.00	485	\$1,838.00	240
29' (348")	2-G;3-R	\$5,652.00	493	\$1,945.00	252
30' (360")	2-G;3-R	\$5,772.00	500	\$2,051.00	258
31' (372")	2-G;3-R	\$6,838.00	508	\$2,127.00	264
32' (384")	3-G;3-R	\$6,989.00	574	\$2,279.00	276
33' (396")	3-G;3-R	\$7,186.00	581	\$2,356.00	289
34' (408")	3-G;3-R	\$7,385.00	589	\$2,431.00	295
35' (420")	3-G;3-R	\$7,583.00	597	\$2,506.00	301
36' (432")	3-G;3-R	\$7,778.00	605	\$2,583.00	308
37' (444")	3-G;3-R	\$7,977.00	612	\$2,658.00	314
38' (456")	3-G;3-R	\$8,175.00	617	\$2,736.00	320
39' (468")	3-G;4-R	\$8,204.00	661	\$2,811.00	332
40' (480")	3-G;4-R	\$8,085.00	666	\$2,887.00	338
41' (492")	3-G;4-R	\$8,599.00	674	\$2,962.00	345
42' (504")	3-G;4-R	\$8,799.00	672	\$3,030.00	351
43' (516")	3-G;4-R	\$8,994.00	680	\$3,100.00	357
44' (528")	3-G;4-R	\$9,344.00	687	\$3,169.00	363
45' (540")	3-G;5-R	\$9,421.00	721	\$3,236.00	369
46' (552")	3-G;5-R	\$9,687.00	742	\$3,306.00	394
47' (564")	3-G;5-R	\$9,891.00	750	\$3,373.00	400
48' (576")	3-G;5-R	\$10,095.00	758	\$3,440.00	406
49' (588")	3-G;5-R	\$10,293.00	778	\$3,509.00	424
50' (600")	3-G;5-R	\$10,499.00	785	\$3,579.00	431
51' (612")	3-G;5-R	\$10,712.00	793	\$3,647.00	437

xxx = Length in Inches

yy = Depth in Inches

Mechanical Prices Include:	Carriage and (2) Label Holders
Static Prices Include:	Carriage and (1) Label Holder
Manual Prices Include:	Carriage and (2) Label Holders
For Loads in Excess of 1000 lbs. per Linear Foot, Please Consult Customer Service.	
5100.00700	Welded Carriage Lip (.75" high) can be added to any carriage. Adds .25" to the depth of the carriage. \$37.00 List/per ft. per carriage
5100.00800	Dual Aisle Safety Lock per Carriage \$812.00 List
5100.00900	Mechanical Safety Sweep 1"d x 4"h x variable length Price includes safety sweep on both sides of the carriage and 2 bumpers for one side of the carriage. Additional bumpers are required. Order part number 3750.0006 (package of 2). Safety sweep adds 2.5" to the overall depth of the carriage. \$114.00 List/per ft. per carriage



1lbs./ft.

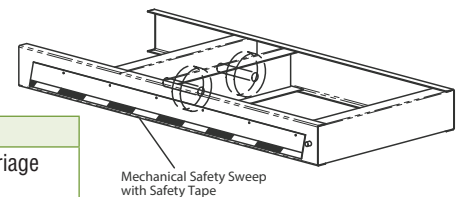
1000 SERIES CARRIAGES

(1000 lbs. per Linear Ft. Capacity)

Length Ft. (In.)	Number of Rails	Mechanical Mobile 25" - 48" Depth Item # 5100.MAxxx.yy	Net Weight (lbs.)	Static 25" - 48" Depth Item # 5100.STxxx.yy	Net Weight (lbs.)	Manual 25" - 48" Depth Item # 5100.HPxxx.yy	Net Weight (lbs.)
		List Price		List Price		List Price	
3' (36")	2	\$1,748.00	118	\$576.00	43	\$1,254.00	98
4' (48")	2	\$1,779.00	125	\$652.00	49	\$1,336.00	105
5' (60")	2	\$1,838.00	164	\$730.00	68	\$1,436.00	142
6' (72")	2	\$1,854.00	170	\$805.00	74	\$1,528.00	149
7' (84")	2	\$1,869.00	184	\$881.00	80	\$1,620.00	162
8' (96")	2	\$1,900.00	191	\$943.00	86	\$1,709.00	169
9' (108")	2	\$2,279.00	223	\$1,142.00	117	\$1,889.00	200
10' (120")	2	\$2,402.00	231	\$1,200.00	123	\$2,068.00	207
11' (132")	3	\$2,827.00	281	\$1,261.00	129	\$2,248.00	253
12' (144")	3	\$2,902.00	285	\$1,322.00	148	\$2,427.00	248
13' (156")	3	\$3,039.00	313	\$1,383.00	154	\$2,606.00	280
14' (168")	3	\$3,055.00	320	\$1,444.00	160	\$2,786.00	287
15' (180")	3	\$3,129.00	335	\$1,505.00	166	\$2,965.00	318
16' (192")	3	\$3,176.00	352	\$1,595.00	172	\$3,145.00	301
17' (204")	4	\$3,912.00	415	\$1,748.00	203		
18' (216")	4	\$3,952.00	428	\$1,823.00	215		
19' (228")	4	\$4,193.00	435	\$1,900.00	222		
20' (240")	4	\$4,208.00	447	\$1,976.00	234		
21' (252")	4	\$4,224.00	457	\$2,051.00	240		
22' (264")	4	\$4,406.00	465	\$2,127.00	249		
23' (276")	5	\$4,938.00	520	\$2,204.00	252		
24' (288")	5	\$4,976.00	527	\$2,279.00	259		

xxx = Length in Inches
yy = Depth in Inches

Mechanical Prices Include:	Carriage and (2) Label Holders	
Static Prices Include:	Carriage and (1) Label Holder	
Manual Prices Include:	Carriage and (2) Label Holders	
For Loads in Excess of 1000 lbs. per Linear Foot, Please Consult Customer Service.		
5100.00700	Welded Carriage Lip (.75" high) can be added to any carriage. Adds .25" to the depth of the carriage.	\$37.00 List/per ft. per carriage
5100.00800	Dual Aisle Safety Lock per Carriage	\$812.00 List
5100.00900	Mechanical Safety Sweep 1"d x 4"h x variable length Price includes safety sweep on both sides of the carriage and 2 bumpers for one side of the carriage. Additional bumpers are required. Order part number 3750.0006 (package of 2). Safety sweep adds 2.5" to the overall depth of the carriage.	\$114.00 List/per ft. per carriage



1lbs./ft.

1000 SERIES CARRIAGES

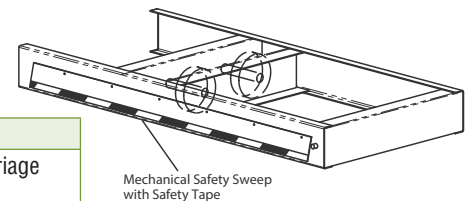
(1000 lbs. per Linear Ft. Capacity)

Length Ft. (In.)	Number of Rails	Mechanical Mobile 25" - 48" Depth Item# 5100.MASDxxx.yy	Net Weight (lbs.)	Static 25" - 48" Depth Item# 5100.STxxx.yy	Net Weight (lbs.)
	G=Guide R=Running	List Price		List Price	
25' (300")	2-G;3-R	\$5,546.00	585	\$2,279.00	302
26' (312")	2-G;3-R	\$5,645.00	605	\$2,333.00	308
27' (324")	2-G;3-R	\$5,743.00	613	\$2,385.00	314
28' (336")	2-G;3-R	\$5,843.00	621	\$2,437.00	308
29' (348")	2-G;3-R	\$5,941.00	628	\$2,339.00	326
30' (360")	2-G;3-R	\$6,032.00	636	\$2,546.00	332
31' (372")	2-G;3-R	\$7,140.00	644	\$2,598.00	388
32' (384")	3-G;3-R	\$7,900.00	740	\$2,736.00	345
33' (396")	3-G;3-R	\$8,028.00	748	\$2,818.00	375
34' (408")	3-G;3-R	\$8,159.00	756	\$2,902.00	382
35' (420")	3-G;3-R	\$8,273.00	763	\$2,986.00	388
36' (432")	3-G;3-R	\$8,418.00	771	\$3,070.00	394
37' (444")	3-G;3-R	\$8,547.00	779	\$3,153.00	400
38' (456")	3-G;3-R	\$8,661.00	783	\$3,236.00	406
39' (468")	3-G;4-R	\$9,117.00	834	\$3,320.00	425
40' (480")	3-G;4-R	\$9,313.00	839	\$3,418.00	431
41' (492")	3-G;4-R	\$9,513.00	846	\$3,493.00	437
42' (504")	3-G;4-R	\$9,708.00	832	\$3,592.00	443
43' (516")	3-G;4-R	\$9,906.00	840	\$3,692.00	449
44' (528")	3-G;4-R	\$10,104.00	848	\$3,790.00	456
45' (540")	3-G;5-R	\$10,293.00	882	\$3,891.00	462
46' (552")	3-G;5-R	\$10,422.00	915	\$3,988.00	505
47' (564")	3-G;5-R	\$10,635.00	923	\$4,086.00	511
48' (576")	3-G;5-R	\$10,850.00	931	\$4,216.00	517
49' (588")	3-G;5-R	\$11,061.00	962	\$4,285.00	548
50' (600")	3-G;5-R	\$11,274.00	970	\$4,383.00	554
51' (612")	3-G;5-R	\$11,455.00	978	\$4,484.00	560

xxx = Length in Inches

yy = Depth in Inches

Mechanical Prices Include:	Carriage and (2) Label Holders	
Static Prices Include:	Carriage and (1) Label Holder	
Manual Prices Include:	Carriage and (2) Label Holders	
For Loads in Excess of 1000 lbs. per Linear Foot, Please Consult Customer Service.		
5100.00700	Welded Carriage Lip (.75" high) can be added to any carriage. Adds .25" to the depth of the carriage.	\$37.00 List/per ft. per carriage
5100.00800	Dual Aisle Safety Lock per Carriage	\$812.00 List
5100.00900	Mechanical Safety Sweep 1"d x 4"h x variable length Price includes safety sweep on both sides of the carriage and 2 bumpers for one side of the carriage. Additional bumpers are required. Order part number 3750.0006 (package of 2). Safety sweep adds 2.5" to the overall depth of the carriage.	\$114.00 List/per ft. per carriage
		1lbs./ft.



1000 SERIES CARRIAGES

(1000 lbs. per Linear Ft. Capacity)

Length Ft. (In.)	Number of Rails	Mechanical Mobile 49" - 60" Depth Item# 5100.MAxxx.yy	Net Weight (lbs.)	Static 49" - 60" Depth Item# 5100.STxxx.yy	Net Weight (lbs.)	Manual 49" - 60" Depth Item# 5100.HPxxx.yy	Net Weight (lbs.)
		List Price		List Price		List Price	
3' (36")	2	\$2,185.00	130	\$721.00	49	\$1,380.00	110
4' (48")	2	\$2,223.00	138	\$816.00	56	\$1,497.00	118
5' (60")	2	\$2,298.00	182	\$912.00	77	\$1,608.00	161
6' (72")	2	\$2,317.00	192	\$1,007.00	83	\$1,711.00	171
7' (84")	2	\$2,337.00	205	\$1,101.00	89	\$1,944.00	183
8' (96")	2	\$2,375.00	213	\$1,179.00	96	\$1,915.00	190
9' (108")	2	\$2,849.00	251	\$1,427.00	132	\$2,095.00	228
10' (120")	2	\$3,003.00	258	\$1,499.00	139	\$2,274.00	235
11' (132")	3	\$3,532.00	311	\$1,576.00	145	\$2,453.00	279
12' (144")	3	\$3,628.00	319	\$1,652.00	166	\$2,633.00	287
13' (156")	3	\$3,798.00	350	\$1,729.00	172	\$2,812.00	317
14' (168")	3	\$3,819.00	357	\$1,805.00	179	\$2,992.00	324
15' (180")	3	\$3,911.00	372	\$1,882.00	185	\$3,171.00	361
16' (192")	3	\$3,970.00	395	\$1,994.00	191	\$3,350.00	338
17' (204")	4	\$4,891.00	442	\$2,251.00	228		
18' (216")	4	\$4,940.00	464	\$2,278.00	249		
19' (228")	4	\$5,241.00	487	\$2,375.00	240		
20' (240")	4	\$5,261.00	510	\$2,471.00	262		
21' (252")	4	\$5,280.00	518	\$2,565.00	268		
22' (264")	4	\$5,508.00	528	\$2,659.00	289		
23' (276")	5	\$6,172.00	578	\$2,754.00	280		
24' (288")	5	\$6,221.00	586	\$2,849.00	286		

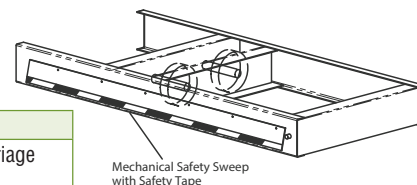
xxx = Length in Inches

yy = Depth in Inches

Mechanical Prices Include:	Carriage and (2) Label Holders
Static Prices Include:	Carriage and (1) Label Holder
Manual Prices Include:	Carriage and (2) Label Holders

For Loads in Excess of 1000 lbs. per Linear Foot, Please Consult Customer Service.

5100.00700	Welded Carriage Lip (.75" high) can be added to any carriage. Adds .25" to the depth of the carriage.	\$37.00 List/per ft. per carriage
5100.00800	Dual Aisle Safety Lock per Carriage	\$812.00 List
5100.00900	Mechanical Safety Sweep 1"d x 4"h x variable length Price includes safety sweep on both sides of the carriage and 2 bumpers for one side of the carriage. Additional bumpers are required. Order part number 3750.0006 (package of 2). Safety sweep adds 2.5" to the overall depth of the carriage.	\$114.00 List/per ft. per carriage



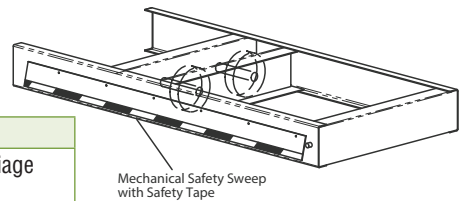
1lbs./ft.

1000 SERIES CARRIAGES

(1000 lbs. per Linear Ft. Capacity)

Length Ft. (In.)	Number of Rails	Mechanical Mobile 49" - 60" Depth Item# 5100.MASDxxx.yy	Net Weight (lbs.)	Static 49" - 60" Depth Item# 5100.STxxx.yy	Net Weight (lbs.)
	G=Guide R=Running	List Price		List Price	
25' (300")	2-G;3-R	\$6,931.00	650	\$2,849.00	339
26' (312")	2-G;3-R	\$7,057.00	673	\$2,917.00	345
27' (324")	2-G;3-R	\$7,179.00	681	\$2,981.00	351
28' (336")	2-G;3-R	\$7,303.00	688	\$3,048.00	359
29' (348")	2-G;3-R	\$7,426.00	696	\$3,100.00	363
30' (360")	2-G;3-R	\$7,541.00	704	\$3,183.00	369
31' (372")	2-G;3-R	\$8,926.00	711	\$3,249.00	475
32' (384")	3-G;3-R	\$9,875.00	824	\$3,420.00	382
33' (396")	3-G;3-R	\$10,035.00	831	\$3,524.00	419
34' (408")	3-G;3-R	\$10,198.00	839	\$3,629.00	425
35' (420")	3-G;3-R	\$10,341.00	847	\$3,732.00	431
36' (432")	3-G;3-R	\$10,523.00	855	\$3,838.00	437
37' (444")	3-G;3-R	\$10,683.00	862	\$3,941.00	443
38' (456")	3-G;3-R	\$10,826.00	866	\$4,047.00	449
39' (468")	3-G;4-R	\$11,396.00	920	\$4,151.00	471
40' (480")	3-G;4-R	\$11,643.00	925	\$4,272.00	477
41' (492")	3-G;4-R	\$11,891.00	933	\$4,368.00	483
42' (504")	3-G;4-R	\$12,135.00	913	\$4,491.00	489
43' (516")	3-G;4-R	\$12,383.00	920	\$4,615.00	496
44' (528")	3-G;4-R	\$12,630.00	928	\$4,738.00	502
45' (540")	3-G;5-R	\$12,867.00	962	\$4,863.00	508
46' (552")	3-G;5-R	\$13,029.00	1,001	\$4,985.00	560
47' (564")	3-G;5-R	\$13,295.00	1,009	\$5,109.00	566
48' (576")	3-G;5-R	\$13,562.00	1,017	\$5,270.00	573
49' (588")	3-G;5-R	\$13,826.00	1,055	\$5,356.00	609
50' (600")	3-G;5-R	\$14,093.00	1,063	\$5,479.00	616
51' (612")	3-G;5-R	\$14,319.00	1,071	\$5,605.00	622

xxx = Length in Inches
yy = Depth in Inches



Mechanical Prices Include:	Carriage and (2) Label Holders		
Static Prices Include:	Carriage and (1) Label Holder		
Manual Prices Include:	Carriage and (2) Label Holders		
For Loads in Excess of 1000 lbs. per Linear Foot, Please Consult Customer Service.			
5100.00700	Welded Carriage Lip (.75" high) can be added to any carriage. Adds .25" to the depth of the carriage.	\$37.00 List/per ft. per carriage	
5100.00800	Dual Aisle Safety Lock per Carriage	\$812.00 List	
5100.00900	Mechanical Safety Sweep 1"d x 4"h x variable length Price includes safety sweep on both sides of the carriage and 2 bumpers for one side of the carriage. Additional bumpers are required. Order part number 3750.0006 (package of 2). Safety sweep adds 2.5" to the overall depth of the carriage.	\$114.00 List/per ft. per carriage	1lbs./ft.

1000 SERIES CARRIAGES

(1000 lbs. per Linear Ft. Capacity)

CARRIAGE PLATES AND COVERS

Carriage Plate is used for additional structural support for carriage applications other than 4 post shelving.
Carriage Cover is for wire shelving application to cover the top of the open carriage.

Length Ft. (In.)	12GA CARRIAGE PLATE 9" - 24" Width Item# 3500.09127.xxx.yy	12GA CARRIAGE PLATE Net Weight (lbs.)	22GA CARRIAGE COVER 9" - 24" Width Item# 3500.09128.xxx.yy	22GA CARRIAGE COVER Net Weight (lbs.)
	List Price		List Price	
3' (36")	\$57.00	21.10	\$30.30	6.20
4' (48")	\$76.00	28.10	\$40.65	8.30
5' (60")	\$95.00	35.10	\$50.75	10.30
6' (72")	\$114.00	42.10	\$61.00	12.40
7' (84")	\$133.00	49.10	\$71.00	14.40
8' (96")	\$152.00	56.10	\$81.00	16.50
9' (108")	\$171.00	63.20	\$91.00	18.60
10' (120")	\$190.00	70.20	\$101.00	20.60
11' (132")	\$209.00	77.20	\$112.00	22.70
12' (144")	\$228.00	84.20	\$122.00	24.70
13' (156")	\$247.00	91.20	\$132.00	26.80
14' (168")	\$266.00	98.20	\$142.00	29.00
15' (180")	\$285.00	105.30	\$152.00	31.00
16' (192")	\$304.00	112.30	\$162.00	33.00
17' (204")	\$323.00	119.30	\$172.00	35.10
18' (216")	\$342.00	126.30	\$182.00	37.10
19' (228")	\$361.00	133.30	\$193.00	39.20
20' (240")	\$380.00	140.30	\$203.00	41.20
21' (252")	\$399.00	147.40	\$213.00	43.30
22' (264")	\$418.00	154.40	\$223.00	45.40
23' (276")	\$437.00	161.40	\$233.00	47.40
24' (288")	\$456.00	168.40	\$243.00	49.50
25' (300")	\$475.00	175.40	\$253.00	51.60
26' (312")	\$494.00	182.40	\$263.00	53.60

xxx = Length in Inches
yy = Depth in Inches

1000 SERIES CARRIAGES

(1000 lbs. per Linear Ft. Capacity)

CARRIAGE PLATES AND COVERS

Carriage Plate is used for additional structural support for carriage applications other than 4 post shelving.
Carriage Cover is for wire shelving application to cover the top of the open carriage.

Length Ft. (In.)	12GA CARRIAGE PLATE 9" - 24" Width Item# 3500.09127.xxx.yy	12GA CARRIAGE PLATE Net Weight (lbs.)	22GA CARRIAGE COVER 9" - 24" Width Item# 3500.09128.xxx.yy	22GA CARRIAGE COVER Net Weight (lbs.)
	List Price		List Price	
27' (324")	\$513.00	189.50	\$273.00	55.70
28' (336")	\$532.00	196.50	\$284.00	57.70
29' (348")	\$551.00	203.50	\$294.00	59.80
30' (360")	\$570.00	210.50	\$304.00	61.90
31' (372")	\$589.00	217.50	\$314.00	63.90
32' (384")	\$608.00	224.50	\$324.00	66.00
33' (396")	\$627.00	231.60	\$334.00	68.00
34' (408")	\$646.00	238.60	\$344.00	70.10
35' (420")	\$665.00	245.60	\$354.00	72.20
36' (432")	\$684.00	252.60	\$365.00	74.20
37' (444")	\$703.00	259.60	\$375.00	76.30
38' (456")	\$722.00	266.60	\$385.00	78.30
39' (468")	\$741.00	273.70	\$395.00	80.50
40' (480")	\$760.00	280.70	\$405.00	82.50
41' (492")	\$779.00	287.70	\$415.00	84.50
42' (504")	\$798.00	294.70	\$425.00	86.60
43' (516")	\$817.00	301.70	\$436.00	88.70
44' (528")	\$836.00	308.70	\$446.00	90.70
45' (540")	\$855.00	315.80	\$456.00	92.80
46' (552")	\$874.00	322.80	\$466.00	94.90
47' (564")	\$893.00	329.80	\$476.00	96.90
48' (576")	\$912.00	336.80	\$486.00	99.00
49' (588")	\$932.00	343.81	\$497.00	101.00
50' (600")	\$950.00	350.80	\$507.00	103.10
51' (612")	\$969.00	357.90	\$517.00	105.20

xxx = Length in Inches

yy = Depth in Inches

1000 SERIES CARRIAGES

(1000 lbs. per Linear Ft. Capacity)

CARRIAGE PLATES AND COVERS

Carriage Plate is used for additional structural support for carriage applications other than 4 post shelving.
Carriage Cover is for wire shelving application to cover the top of the open carriage.

Length Ft. (In.)	12GA CARRIAGE PLATE 25" - 48" Width Item# 3500.09127.xxx.yy	12GA CARRIAGE PLATE Net Weight (lbs.)	22GA CARRIAGE COVER 25" - 48" Width Item# 3500.09128.xxx.yy	22GA CARRIAGE COVER Net Weight (lbs.)
	List Price		List Price	
3' (36")	\$123.00	45.40	\$65.00	13.30
4' (48")	\$164.00	60.50	\$87.00	17.80
5' (60")	\$205.00	75.60	\$109.00	22.20
6' (72")	\$246.00	90.70	\$131.00	26.70
7' (84")	\$287.00	105.80	\$153.00	31.10
8' (96")	\$328.00	120.90	\$175.00	35.50
9' (108")	\$368.00	136.10	\$196.00	40.00
10' (120")	\$410.00	151.20	\$218.00	44.40
11' (132")	\$450.00	166.30	\$240.00	48.90
12' (144")	\$491.00	181.30	\$262.00	53.30
13' (156")	\$532.00	196.50	\$284.00	57.80
14' (168")	\$573.00	211.60	\$306.00	62.20
15' (180")	\$614.00	226.80	\$327.00	66.60
16' (192")	\$655.00	241.90	\$349.00	71.10
17' (204")	\$696.00	257.00	\$371.00	75.50
18' (216")	\$737.00	272.10	\$393.00	80.00
19' (228")	\$778.00	287.20	\$415.00	84.40
20' (240")	\$819.00	302.30	\$437.00	88.80
21' (252")	\$860.00	317.50	\$458.00	93.30
22' (264")	\$901.00	332.60	\$480.00	97.70
23' (276")	\$942.00	347.70	\$502.00	102.20
24' (288")	\$983.00	362.80	\$525.00	106.60
25' (300")	\$1,024.00	377.90	\$546.00	111.10
26' (312")	\$1,065.00	393.00	\$567.00	115.50

xxx = Length in Inches
yy = Depth in Inches

1000 SERIES CARRIAGES

(1000 lbs. per Linear Ft. Capacity)

CARRIAGE PLATES AND COVERS

Carriage Plate is used for additional structural support for carriage applications other than 4 post shelving.
Carriage Cover is for wire shelving application to cover the top of the open carriage.

Length Ft. (In.)	12GA CARRIAGE PLATE 25" - 48" Width Item# 3500.09127.xxx.yy	12GA CARRIAGE PLATE Net Weight (lbs.)	22GA CARRIAGE COVER 25" - 48" Width Item# 3500.09128.xxx.yy	22GA CARRIAGE COVER Net Weight (lbs.)
	List Price		List Price	
27' (324")	\$1,065.00	408.20	\$589.00	119.90
28' (336")	\$1,147.00	423.30	\$611.00	124.40
29' (348")	\$1,187.00	438.40	\$633.00	128.80
30' (360")	\$1,229.00	453.50	\$655.00	133.30
31' (372")	\$1,269.00	468.60	\$677.00	137.70
32' (384")	\$1,310.00	483.70	\$698.00	142.10
33' (396")	\$1,351.00	498.90	\$720.00	146.60
34' (408")	\$1,392.00	514.00	\$742.00	151.10
35' (420")	\$1,433.00	529.10	\$764.00	155.50
36' (432")	\$1,474.00	544.20	\$786.00	159.90
37' (444")	\$1,515.00	559.30	\$808.00	164.30
38' (456")	\$1,556.00	574.40	\$829.00	168.80
39' (468")	\$1,597.00	589.50	\$851.00	173.20
40' (480")	\$1,638.00	604.70	\$873.00	177.70
41' (492")	\$1,679.00	619.80	\$895.00	182.10
42' (504")	\$1,720.00	634.90	\$917.00	186.50
43' (516")	\$1,761.00	650.10	\$938.00	191.00
44' (528")	\$1,802.00	665.10	\$960.00	195.40
45' (540")	\$1,843.00	680.30	\$982.00	199.90
46' (552")	\$1,884.00	695.40	\$1,004.00	204.30
47' (564")	\$1,925.00	710.50	\$1,026.00	208.80
48' (576")	\$1,965.00	725.60	\$1,048.00	213.20
49' (588")	\$2,007.00	740.70	\$1,069.00	217.70
50' (600")	\$2,047.00	755.80	\$1,091.00	222.10
51' (612")	\$2,088.00	771.00	\$1,113.00	226.50

xxx = Length in Inches

yy = Depth in Inches

1000 SERIES CARRIAGES

(1000 lbs. per Linear Ft. Capacity)

CARRIAGE PLATES AND COVERS

Carriage Plate is used for additional structural support for carriage applications other than 4 post shelving.
Carriage Cover is for wire shelving application to cover the top of the open carriage.

Length Ft. (In.)	12GA CARRIAGE PLATE 49" - 60" Width Item# 3500.09127.xxx.yy	12GA CARRIAGE PLATE Net Weight (lbs.)	22GA CARRIAGE COVER 49" - 60" Width Item# 3500.09128.xxx.yy	22GA CARRIAGE COVER Net Weight (lbs.)
	List Price		List Price	
3' (36")	\$156.00	57.50	\$83.00	16.90
4' (48")	\$208.00	76.70	\$111.00	22.50
5' (60")	\$260.00	95.80	\$138.00	28.20
6' (72")	\$312.00	115.00	\$166.00	33.80
7' (84")	\$364.00	134.20	\$194.00	39.40
8' (96")	\$415.00	153.30	\$221.00	45.10
9' (108")	\$467.00	172.50	\$249.00	50.70
10' (120")	\$519.00	191.70	\$277.00	56.30
11' (132")	\$571.00	210.80	\$304.00	62.00
12' (144")	\$623.00	230.00	\$332.00	67.60
13' (156")	\$675.00	249.20	\$360.00	73.20
14' (168")	\$727.00	268.30	\$387.00	78.90
15' (180")	\$779.00	287.50	\$415.00	84.50
16' (192")	\$831.00	306.70	\$443.00	90.10
17' (204")	\$883.00	325.80	\$470.00	95.10
18' (216")	\$935.00	345.00	\$498.00	101.40
19' (228")	\$986.00	364.30	\$526.00	107.00
20' (240")	\$1,038.00	383.30	\$553.00	112.60
21' (252")	\$1,090.00	402.50	\$581.00	118.30
22' (264")	\$1,142.00	421.70	\$609.00	123.90
23' (276")	\$1,194.00	440.80	\$637.00	129.50
24' (288")	\$1,246.00	460.00	\$664.00	135.20
25' (300")	\$1,298.00	479.20	\$692.00	140.80
26' (312")	\$1,350.00	498.30	\$720.00	146.40

xxx = Length in Inches
yy = Depth in Inches

1000 SERIES CARRIAGES

(1000 lbs. per Linear Ft. Capacity)

CARRIAGE PLATES AND COVERS

Carriage Plate is used for additional structural support for carriage applications other than 4 post shelving.
Carriage Cover is for wire shelving application to cover the top of the open carriage.

Length Ft. (In.)	12GA CARRIAGE PLATE 49" - 60" Width Item# 3500.09127.xxx.yy	12GA CARRIAGE PLATE Net Weight (lbs.)	22GA CARRIAGE COVER 49" - 60" Width Item# 3500.09128.xxx.yy	22GA CARRIAGE COVER Net Weight (lbs.)
	List Price		List Price	
27' (324")	\$1,402.00	517.50	\$747.00	152.10
28' (336")	\$1,454.00	536.70	\$775.00	157.70
29' (348")	\$1,506.00	555.80	\$803.00	163.30
30' (360")	\$1,558.00	575.90	\$830.00	169.00
31' (372")	\$1,609.00	594.20	\$858.00	174.60
32' (384")	\$1,661.00	613.30	\$886.00	180.20
33' (396")	\$1,713.00	632.50	\$913.00	185.90
34' (408")	\$1,765.00	651.70	\$941.00	191.50
35' (420")	\$1,817.00	670.80	\$969.00	197.10
36' (432")	\$1,869.00	690.00	\$996.00	202.80
37' (444")	\$1,921.00	709.20	\$1,024.00	208.40
38' (456")	\$1,973.00	728.30	\$1,052.00	214.00
39' (468")	\$2,025.00	747.50	\$1,079.00	219.60
40' (480")	\$2,077.00	766.70	\$1,107.00	225.30
41' (492")	\$2,129.00	785.80	\$1,135.00	230.90
42' (504")	\$2,181.00	805.00	\$1,162.00	236.50
43' (516")	\$2,232.00	825.20	\$1,190.00	242.20
44' (528")	\$2,285.00	843.30	\$1,218.00	247.80
45' (540")	\$2,337.00	862.50	\$1,245.00	253.40
46' (552")	\$2,388.00	881.70	\$1,273.00	259.10
47' (564")	\$2,440.00	900.80	\$1,301.00	264.70
48' (576")	\$2,492.00	920.00	\$1,328.00	270.30
49' (588")	\$2,544.00	939.20	\$1,356.00	276.00
50' (600")	\$2,596.00	958.30	\$1,384.00	281.60
51' (612")	977.50	\$2,648.00	\$1,411.00	287.20

xxx = Length in Inches

yy = Depth in Inches

MOBILE RAILS, MISCELLANEOUS, END-STOR™

AURORA MOBILE RAILS

Description	List Price/Foot	Weight (lbs./ft.)
Barrier Free Rail	\$49.00	4
Barrier Free Rail with Single Anti-Tip	\$50.00	6
Barrier Free Rail with Dual Anti-Tip	\$55.00	7
Barrier Free Rail with Deck Plate	\$63.00	6
Barrier Free Rail with Single Anti-Tip and Deck Plate	\$85.00	10
Barrier Free Rail with Dual Anti-Tip and Deck Plate	\$87.00	12
Barrier Free Rail with Single Anti-Tip and Special Wedge Plate	\$91.00	10
Barrier Free Rail with Dual Anti-Tip and Special Wedge Plate	\$102.00	10.5
Barrier Free Rail for use with Concrete Cover **	\$56.00	5
Barrier Free Rail with Anti-Tip for use with Concrete Cover **	\$58.00	5.25
Barrier Free Rail with Dual Anti-Tip for use with Concrete Cover **	\$31.00	2
Running Rail	\$49.00	4
Running Rail with Single Anti-Tip	\$50.00	6
Running Rail with Dual Anti-Tip	\$82.00	7
Running Rail with Deck Plate	\$85.00	6
Running Rail with Single Anti-Tip and Deck Plate	\$85.00	10
Running Rail with Dual Anti-Tip and Deck Plate	\$71.00	12
Running Rail with Anti-Tip and Special Wedge Plate	\$85.00	10
Running Rail for use with Concrete Cover	\$50.00	5
Running Rail with Anti-Tip for use with Concrete Cover	\$50.00	5.25
Running Rail with Dual Anti-Tip and Special Wedge Plate	\$99.00	10.5
DTP Rail drilled and tapped at end of rail run for End Stop (including End Stop).	\$54.00	N/A

Part Number/Description	List Price	Weight
3500.09130P Universal Anti-Tip Clip Package (Package contains 2 clips, shims, fasteners)	\$30.00 (each pkg.)	2 lbs.

One (1) package of Universal Anti-Tip Clips will need to be used for every Anti-Tip Channel per Carriage.
 For example: A 10 Carriage System with 2 rails of **Single Anti-Tip Rail** will need 20 packages. That same system with 2 rails of **Dual Anti-Tip Rails** will need 40 packages

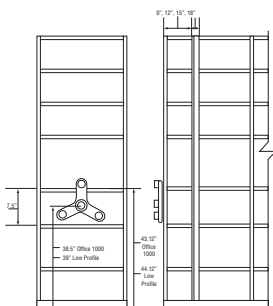
MISCELLANEOUS

Part Number/Description	List Price	Weight
4500.09130 Concrete Rail Cover, 10' Length ** For Use with these rails.	\$122.00	8 lbs.
4500.07160 Decking Standard 3/4" 7-Ply Marine Grade 4' by 8'.	\$205.00	80 lbs.
4500.07170 Decking Treated 3/4" 7-Ply Marine Grade Sustain 20 MCA treated for insects & rot 4' by 8'.	\$226.00	80 lbs.
4500.07180 Decking Fire Retardant 3/4" 7-Ply Marine Grade.	\$250.00	80 lbs.
4500.07150 *Grout anchoring cement in plastic container *Grout Recommendation: 1.5 lbs./ft. of standard rail, 2/lbs./ft. ant-tip rail, 2.5 lbs./ft. dual ant-tip rail, 1.3 lbs./per. sq. ft. of decking.	\$153.00	50 lbs.
Extra Wheel Assembly per Carriage (Consult Customer Service)	\$451.00	10 lbs.
3500.06046 Rail Skirt, 3" x 96" piece Conceals raw edge of plywood decking. (Requires static carriage for attachment)	\$90.00	6 lbs.

AURORA END-STOR™

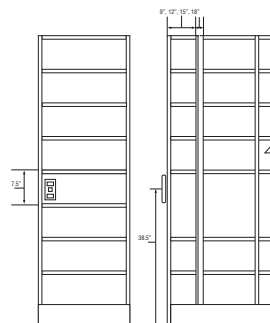
Description	List Price	Weight
Mechanical Assist End-Stor (Extended shaft, face plate & front plate)	\$1,159.00	5 lbs.
Electric End-Stor (Faceplate and additional cabling)	\$90.00	2 lbs.

Mobile handle, shelving, and carriage for End-Stor must be ordered separately.



End-Stor™
Mechanical Assist Mobile

End-Stor does not include Mobile handle, shelving, and carriage depicted in illustration, order separately.



End-Stor™
Electric Mobile

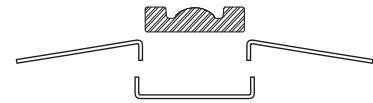
RAMP AND TWIN RAMP™

RAMP

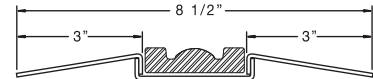
Description	List Price/Ft.	Weight/Ft. (lbs.)
Stainless Steel Ramp (4")	\$30.55	1.5
Galvanized Ramp (4")	\$16.85	1.5
Stainless Steel Ramp (12")	\$74.55	5
Galvanized Steel Ramp (12")	\$19.90	5
Stainless Steel Ramp (18")	\$88.00	7.5
Galvanized Ramp (18")	\$27.40	7.5
Stainless Steel Ramp (24")	\$140.00	9
Galvanized Ramp (24")	\$37.60	9

TWIN RAMP

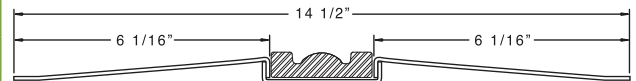
Description	List Price/Ft.	Weight/Ft. (lbs.)
3" Ramp Package for Standard Rail	\$32.50	3.8
3" Ramp Package for Anti-Tip Rail	\$33.85	4.1
3" Ramp Package for Chain Rail	\$33.85	4.1
3" Ramp Package for Dual Anti-Tip Rail	\$35.75	4.4
4" Ramp Package for Standard Rail	\$33.25	4
4" Ramp Package for Anti-Tip Rail	\$34.50	4.3
4" Ramp Package for Chain Rail	\$34.50	4.3
4" Ramp Package for Dual Anti-Tip Rail	\$36.25	4.6
6" Ramp Package for Standard Rail	\$42.55	5.6
6" Ramp Package for Anti-Tip Rail	\$44.30	5.9
6" Ramp Package for Chain Rail	\$44.30	5.9
6" Ramp Package for Dual Anti-Tip Rail	\$46.20	6.2
6" & 3" Ramp Package for Standard Rail	\$42.55	4.5
6" & 3" Ramp Package for Anti-Tip Rail	\$44.30	4.8



TWIN RAMP



3" Ramp



6" Ramp

CHAIN BOXES

CHAIN BOX SPECIFICATION CHART

Recommended for Loads Up to:	1000 Series (3' – 24')	1000 Series (25' – 51')	Low Profile	
10,000 lbs.	A-1		A-1	
15,000 lbs.	A-2		A-2	
20,000 lbs.	A-3		A-3	
25,000 lbs.	A-4	A-4		
30,000 lbs.		A-4		
35,000 lbs.		A-4		
40,000 lbs.		A-5		
45,000 lbs.		A-5		
51,000 lbs.		A-5		

CHAIN BOX - NO LOCK 1000 SERIES SYSTEMS - DIRECT DRIVE (3' TO 24')

Chain Box	Item #	Force Ratio*	Travel Distance** in Inches	List Price	Weight (lbs.)
A-1	4500.06131.03	2,000	6.38	\$311.00	15
A-2	4500.06132.03	3,000	4.75	\$410.00	18
A-3	4500.06133.03	6,000	3.75	\$419.00	18
A-4	4500.06134.03	9,000	2.75	\$494.00	21

1000 SERIES SYSTEMS - SYNCRO DRIVE (25' TO 51')

Chain Box	Item #	Force Ratio*	Travel Distance** in Inches	List Price	Weight (lbs.)
A-4	4500.06134.03	9,000	2.75	\$494.00	21
A-5	4500.06135.03	12,000	2.13	\$503.00	21
A-6	4500.06136.03	15,000	1.63	\$576.00	24
A-7	4500.06137.03	20,000	1.25	\$584.00	24

LOW PROFILE SYSTEMS - NO LOCK

Chain Box	Item #	Force Ratio*	Travel Distance** in Inches	List Price	Weight (lbs.)
A-1	4750.06131.03	2,000	7.75	\$305.00	15
A-2	4750.06132.03	4,000	5.88	\$410.00	18
A-3	4750.06133.03	6,000	4.50	\$419.00	18

*Force Ratio is defined as "weight that can be moved with one pound of effort." **Travel Distance is defined as "one full revolution of the handle."

CHAIN BOXES

CHAIN BOX - WITH LOCK

1000 SERIES SYSTEMS - DIRECT DRIVE (3' TO 24')

Chain Box	Item #	Force Ratio*	Travel Distance** in Inches	List Price	Weight (lbs.)
A-1	3500.09081.05	2,000	6.38	\$444.00	15
A-2	3500.09082.05	4,000	4.75	\$543.00	18
A-3	3500.09083.05	6,000	3.75	\$553.00	18
A-4	3500.09084.05	9,000	2.75	\$628.00	21

1000 SERIES SYSTEMS - SYNCRO DRIVE (25' TO 51')

Chain Box	Item #	Force Ratio*	Travel Distance** in Inches	List Price	Weight (lbs.)
A-5	3500.09085.05	12,000	2.13	\$637.00	21
A-6	3500.09086.05	15,000	1.63	\$710.00	24
A-7	3500.09087.05	20,000	1.25	\$718.00	24

LOW PROFILE SYSTEMS - WITH LOCK

Chain Box	Item #	Force Ratio*	Travel Distance** in Inches	List Price	Weight (lbs.)
A-1	4750.09081.05	2,000	7.75	\$439.00	15
A-2	4750.09082.05	4,000	5.88	\$543.00	18
A-3	4750.09083.05	6,000	4.50	\$553.00	18
A-4	4750.09084.05	8,000	3.40	\$628.00	21
A-5	4750.09085.05	10,000	2.65	\$637.00	21

*Force Ratio is defined as "weight that can be moved with one pound of effort." **Travel Distance is defined as "one full revolution of the handle."

ACCESSORIES

MECHANICAL ASSIST HANDLES

Part Number	Description	List Price	Weight (lbs.)
3500.09040.12	11" Diameter 3-Spoke	\$106.00	5
3500.09040	16" Diameter 3-Spoke	\$128.00	5

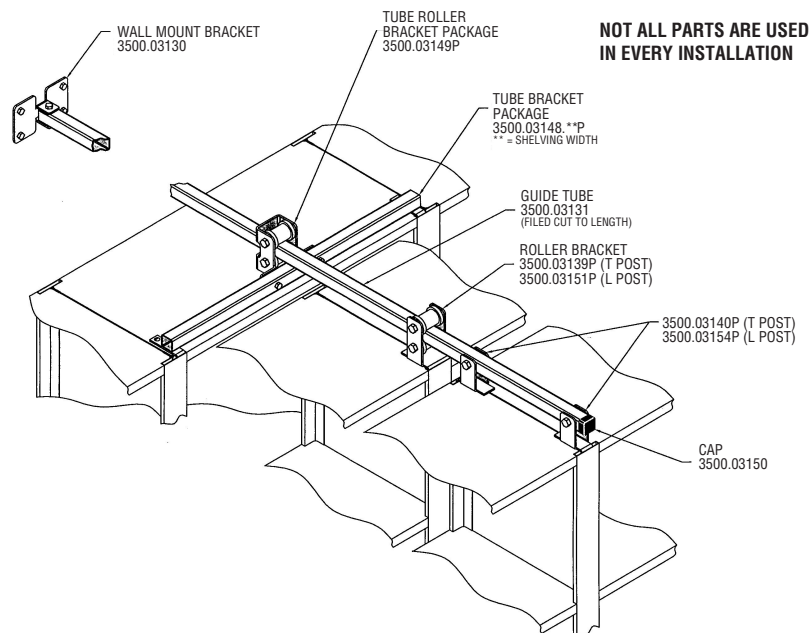
MANUAL HANDLES

Part Number	Description	List Price	Weight (lbs.)
4750.00017	Handle With Frame and Cover (Used With Upright)	\$259.00	22
3500.04012	Handle Only (Used With End Panel)	\$115.00	5

OVERHEAD ANTI-TIP BRACKET ASSEMBLY PARTS

Part Number	Description	List Price	Weight (lbs.)
3500.03130	Wall Mounting Bracket	\$68.00	1.8
3500.03149P	Tube Roller Bracket Package	\$80.00	1.0
3500.03148.24P	Tube Bracket Package, 24" wide Shelving	\$35.00	1.2
3500.03148.30P	Tube Bracket Package, 30" wide Shelving	\$37.00	1.9
3500.03148.36P	Tube Bracket Package, 36" wide Shelving	\$39.00	2.3
3500.03148.42P	Tube Bracket Package, 40" wide Shelving	\$42.00	2.5
3500.03148.48P	Tube Bracket Package, 48" wide Shelving	\$45.00	2.7
3500.03131	Guide Tube (Filed cut to length)	\$106.00	6.4
3500.03139P	Roller Bracket (T Post)	\$78.00	1.0
3500.03151P	Roller Bracket (L Post)	\$78.00	1.0
3500.03140P	Static Stabilizer Brackets (T Post)	\$54.00	1.0
3500.03154P	Static Stabilizer Brackets (L Post)	\$54.00	1.0
3500.03150	Cap	\$3.25	0.01

OVERHEAD ANTI-TIP BRACKET ASSEMBLY



ACCESSORIES

LOCKS

Part Number	Description	List Price	Weight (lbs.)
1000-9371	Waist High Lock System (Used with chain box cover.)	\$128.00	5
3500.09045	Waist High Lock System (Used with laminate end panels.)	\$135.00	5
4500.09060	Waist High Lock System (Used with steel end panels.)	\$135.00	5
3500.03527	Locking Surface Bolt	\$135.00	2

MISCELLANEOUS

Part Number	Description	List Price	Weight (lbs.)
3500.04478	Chain Box Cover (2"D x 7"W x 42"H)	\$76.00	8
3500.09080	Chain Box Cover for use with chain box with lock.	\$45.00	3
LABV99	Vertical Card Holder	\$16.70	1
LABHD99	Horizontal Card Holder	\$14.85	1
4750.03557	End Stop	\$19.45	1
3750.00006	Bumper (2 each w/fasteners)	\$6.90	1
5000.00043	1/8' Hard Board	\$2.45	2
5000.00044	1/4' Hard Board	\$2.45	2

END PANEL PART NUMBER KEY

What Part Numbers Mean

Example:

Depth	
9"	20"
10"	24"
12"	26"
13"	30"
15"	32"
16"	36"
18"	48"

Low Profile (with carriage)	1000 Series (with carriage)	Shelving
Height	Height	Height
68 ³ / ₁₆ "	70 ³ / ₁₆ "	64 ¹ / ₄ "
80 ³ / ₁₆ "	82 ³ / ₁₆ "	76 ¹ / ₄ "
89 ³ / ₁₆ "	91 ³ / ₁₆ "	85 ¹ / ₄ "
92 ³ / ₁₆ "	94 ³ / ₁₆ "	88 ¹ / ₄ "
101 ³ / ₁₆ "	103 ³ / ₁₆ "	97 ¹ / ₄ "
105 ³ / ₁₆ "	106 ³ / ₁₆ "	100 ¹ / ₄ "
125 ³ / ₁₆ "	127 ³ / ₁₆ "	121 ¹ / ₄ "

Powered Low Profile (with carriage)	Powered 1000 Series (with carriage)
Height	Height
69 ³ / ₁₆ "	71 ³ / ₁₆ "
81 ³ / ₁₆ "	83 ³ / ₁₆ "
90 ³ / ₁₆ "	92 ³ / ₁₆ "
93 ³ / ₁₆ "	95 ³ / ₁₆ "
102 ³ / ₁₆ "	104 ³ / ₁₆ "
105 ³ / ₁₆ "	107 ³ / ₁₆ "
126 ³ / ₁₆ "	128 ³ / ₁₆ "

16

080

.M

W

P

P Package to include hardware

L Low Pressure Laminate
H High Pressure Laminate
W Laminate, Self Edged
S Steel
F Filler

M Mobile Carriages
S Static Carriage
B Back

LOW PROFILE END PANELS

Steel

Low Profile Mechanical Assist						Low Profile Static				
Part Number	Width	Height	Weight	List Price	Shelving Height	Part Number	Width	Height	Weight	List Price
					(64.25)	09068.SSP	09"	68"	18 lbs.	\$312.00
					(64.25)	10068.SSP	10"	68"	19 lbs.	\$328.00
12068.MSP	12"	68"	22 lbs.	\$342.00	(64.25)	12068.SSP	12"	68"	22 lbs.	\$342.00
13068.MSP	13"	68"	23 lbs.	\$358.00	(64.25)	13068.SSP	13"	68"	23 lbs.	\$358.00
15068.MSP	15"	68"	25 lbs.	\$358.00	(64.25)	15068.SSP	15"	68"	25 lbs.	\$358.00
16068.MSP	16"	68"	27 lbs.	\$373.00	(64.25)	16068.SSP	16"	68"	27 lbs.	\$373.00
18068.MSP	18"	68"	29 lbs.	\$373.00	(64.25)	18068.SSP	18"	68"	29 lbs.	\$373.00
20068.MSP	20"	68"	31 lbs.	\$388.00	(64.25)	20068.SSP	20"	68"	31 lbs.	\$388.00
24068.MSP	24"	68"	36 lbs.	\$403.00	(64.25)	24068.SSP	24"	68"	36 lbs.	\$403.00
26068.MSP	26"	68"	39 lbs.	\$419.00	(64.25)	26068.SSP	26"	68"	39 lbs.	\$419.00
30068.MSP	30"	68"	44 lbs.	\$419.00	(64.25)	30068.SSP	30"	68"	44 lbs.	\$419.00
32068.MSP	32"	68"	46 lbs.	\$432.00	(64.25)	32068.SSP	32"	68"	46 lbs.	\$432.00
36068.MSP	36"	68"	51 lbs.	\$432.00	(64.25)	36068.SSP	36"	68"	51 lbs.	\$432.00
40068.MSP	40"	68"	56 lbs.	\$432.00	(64.25)	40068.SSP	40"	68"	56 lbs.	\$432.00
48068.MSP	48"	68"	66 lbs.	\$449.00	(64.25)	48068.SSP	48"	68"	66 lbs.	\$449.00
54068.MSP	54"	68"	73 lbs.	\$628.00	(64.25)	54068.SSP	54"	68"	73 lbs.	\$628.00
60068.MSP	60"	68"	80 lbs.	\$807.00	(64.25)	60068.SSP	60"	68"	80 lbs.	\$807.00
					(76.25)	09080.SSP	09"	80"	21 lbs.	\$312.00
					(76.25)	10080.SSP	10"	80"	22 lbs.	\$328.00
12080.MSP	12"	80"	25 lbs.	\$342.00	(76.25)	12080.SSP	12"	80"	25 lbs.	\$342.00
13080.MSP	13"	80"	27 lbs.	\$358.00	(76.25)	13080.SSP	13"	80"	27 lbs.	\$358.00
15080.MSP	15"	80"	30 lbs.	\$358.00	(76.25)	15080.SSP	15"	80"	30 lbs.	\$358.00
16080.MSP	16"	80"	31 lbs.	\$373.00	(76.25)	16080.SSP	16"	80"	31 lbs.	\$373.00
18080.MSP	18"	80"	34 lbs.	\$373.00	(76.25)	18080.SSP	18"	80"	34 lbs.	\$373.00
20080.MSP	20"	80"	37 lbs.	\$388.00	(76.25)	20080.SSP	20"	80"	37 lbs.	\$388.00
24080.MSP	24"	80"	42 lbs.	\$403.00	(76.25)	24080.SSP	24"	80"	42 lbs.	\$403.00
26080.MSP	26"	80"	45 lbs.	\$419.00	(76.25)	26080.SSP	26"	80"	45 lbs.	\$419.00
30080.MSP	30"	80"	51 lbs.	\$419.00	(76.25)	30080.SSP	30"	80"	51 lbs.	\$419.00
32080.MSP	32"	80"	54 lbs.	\$432.00	(76.25)	32080.SSP	32"	80"	54 lbs.	\$432.00
36080.MSP	36"	80"	59 lbs.	\$432.00	(76.25)	36080.SSP	36"	80"	59 lbs.	\$432.00
40080.MSP	40"	80"	65 lbs.	\$432.00	(76.25)	40080.SSP	40"	80"	65 lbs.	\$432.00
48080.MSP	48"	80"	76 lbs.	\$449.00	(76.25)	48080.SSP	48"	80"	76 lbs.	\$449.00
54080.MSP	54"	80"	85 lbs.	\$628.00	(76.25)	54080.SSP	54"	80"	85 lbs.	\$628.00
60080.MSP	60"	80"	93 lbs.	\$807.00	(76.25)	60080.SSP	60"	80"	93 lbs.	\$807.00
					(85.25)	09089.SSP	09"	89"	23 lbs.	\$312.00
					(85.25)	10089.SSP	10"	89"	25 lbs.	\$328.00
12089.MSP	12"	89"	28 lbs.	\$342.00	(85.25)	12089.SSP	12"	89"	28 lbs.	\$342.00
13089.MSP	13"	89"	30 lbs.	\$358.00	(85.25)	13089.SSP	13"	89"	30 lbs.	\$358.00
15089.MSP	15"	89"	33 lbs.	\$358.00	(85.25)	15089.SSP	15"	89"	33 lbs.	\$358.00
16089.MSP	16"	89"	34 lbs.	\$373.00	(85.25)	16089.SSP	16"	89"	34 lbs.	\$373.00
18089.MSP	18"	89"	37 lbs.	\$373.00	(85.25)	18089.SSP	18"	89"	37 lbs.	\$373.00
20089.MSP	20"	89"	41 lbs.	\$388.00	(85.25)	20089.SSP	20"	89"	41 lbs.	\$388.00
24089.MSP	24"	89"	47 lbs.	\$403.00	(85.25)	24089.SSP	24"	89"	47 lbs.	\$403.00
26089.MSP	26"	89"	50 lbs.	\$419.00	(85.25)	26089.SSP	26"	89"	50 lbs.	\$419.00
30089.MSP	30"	89"	56 lbs.	\$419.00	(85.25)	30089.SSP	30"	89"	56 lbs.	\$419.00
32089.MSP	32"	89"	59 lbs.	\$432.00	(85.25)	32089.SSP	32"	89"	59 lbs.	\$432.00
36089.MSP	36"	89"	66 lbs.	\$432.00	(85.25)	36089.SSP	36"	89"	66 lbs.	\$432.00
40089.MSP	40"	89"	72 lbs.	\$432.00	(85.25)	40089.SSP	40"	89"	72 lbs.	\$432.00
48089.MSP	48"	89"	85 lbs.	\$449.00	(85.25)	48089.SSP	48"	89"	85 lbs.	\$449.00
54089.MSP	54"	89"	94 lbs.	\$628.00	(85.25)	54089.SSP	54"	89"	94 lbs.	\$628.00
60089.MSP	60"	89"	104 lbs.	\$807.00	(85.25)	60089.SSP	60"	89"	104 lbs.	\$807.00

LOW PROFILE END PANELS

Steel

Low Profile Mechanical Assist					Low Profile Static					
Part Number	Width	Height	Weight	List Price	Shelving Height	Part Number	Width	Height	Weight	List Price
					(88.25)	09092.SSP	09"	92"	24 lbs.	\$312.00
					(88.25)	10092.SSP	10"	92"	26 lbs.	\$328.00
12092.MSP	12"	92"	29 lbs.	\$342.00	(88.25)	12092.SSP	12"	92"	29 lbs.	\$342.00
13092.MSP	13"	92"	30 lbs.	\$358.00	(88.25)	13092.SSP	13"	92"	30 lbs.	\$358.00
15092.MSP	15"	92"	34 lbs.	\$358.00	(88.25)	15092.SSP	15"	92"	34 lbs.	\$358.00
16092.MSP	16"	92"	35 lbs.	\$373.00	(88.25)	16092.SSP	16"	92"	35 lbs.	\$373.00
18092.MSP	18"	92"	39 lbs.	\$373.00	(88.25)	18092.SSP	18"	92"	39 lbs.	\$373.00
20092.MSP	20"	92"	42 lbs.	\$388.00	(88.25)	20092.SSP	20"	92"	42 lbs.	\$388.00
24092.MSP	24"	92"	48 lbs.	\$403.00	(88.25)	24092.SSP	24"	92"	48 lbs.	\$403.00
26092.MSP	26"	92"	52 lbs.	\$419.00	(88.25)	26092.SSP	26"	92"	52 lbs.	\$419.00
30092.MSP	30"	92"	58 lbs.	\$419.00	(88.25)	30092.SSP	30"	92"	58 lbs.	\$419.00
32092.MSP	32"	92"	61 lbs.	\$432.00	(88.25)	32092.SSP	32"	92"	61 lbs.	\$432.00
36092.MSP	36"	92"	68 lbs.	\$432.00	(88.25)	36092.SSP	36"	92"	68 lbs.	\$432.00
40092.MSP	40"	92"	74 lbs.	\$432.00	(88.25)	40092.SSP	40"	92"	74 lbs.	\$432.00
48092.MSP	48"	92"	87 lbs.	\$449.00	(88.25)	48092.SSP	48"	92"	87 lbs.	\$449.00
54092.MSP	54"	92"	97 lbs.	\$628.00	(88.25)	54092.SSP	54"	92"	97 lbs.	\$628.00
60092.MSP	60"	92"	107 lbs.	\$807.00	(88.25)	60092.SSP	60"	92"	107 lbs.	\$807.00
					(97.25)	09101.SSP	09"	101"	26 lbs.	\$312.00
					(97.25)	10101.SSP	10"	101"	28 lbs.	\$328.00
12101.MSP	12"	101"	32 lbs.	\$342.00	(97.25)	12101.SSP	12"	101"	32 lbs.	\$342.00
13101.MSP	13"	101"	33 lbs.	\$358.00	(97.25)	13101.SSP	13"	101"	33 lbs.	\$358.00
15101.MSP	15"	101"	37 lbs.	\$358.00	(97.25)	15101.SSP	15"	101"	37 lbs.	\$358.00
16101.MSP	16"	101"	39 lbs.	\$373.00	(97.25)	16101.SSP	16"	101"	39 lbs.	\$373.00
18101.MSP	18"	101"	42 lbs.	\$373.00	(97.25)	18101.SSP	18"	101"	42 lbs.	\$373.00
20101.MSP	20"	101"	46 lbs.	\$388.00	(97.25)	20101.SSP	20"	101"	46 lbs.	\$388.00
24101.MSP	24"	101"	53 lbs.	\$403.00	(97.25)	24101.SSP	24"	101"	53 lbs.	\$403.00
26101.MSP	26"	101"	56 lbs.	\$419.00	(97.25)	26101.SSP	26"	101"	56 lbs.	\$419.00
30101.MSP	30"	101"	64 lbs.	\$419.00	(97.25)	30101.SSP	30"	101"	64 lbs.	\$419.00
32101.MSP	32"	101"	67 lbs.	\$432.00	(97.25)	32101.SSP	32"	101"	67 lbs.	\$432.00
36101.MSP	36"	101"	74 lbs.	\$432.00	(97.25)	36101.SSP	36"	101"	74 lbs.	\$432.00
40101.MSP	40"	101"	81 lbs.	\$432.00	(97.25)	40101.SSP	40"	101"	81 lbs.	\$432.00
48101.MSP	48"	101"	96 lbs.	\$449.00	(97.25)	48101.SSP	48"	101"	96 lbs.	\$449.00
54101.MSP	54"	101"	106 lbs.	\$628.00	(97.25)	54101.SSP	54"	101"	106 lbs.	\$628.00
60101.MSP	60"	101"	117 lbs.	\$807.00	(97.25)	60101.SSP	60"	101"	117 lbs.	\$807.00
					(100.25)	09104.SSP	09"	104"	27 lbs.	\$312.00
					(100.25)	10104.SSP	10"	104"	29 lbs.	\$328.00
12104.MSP	12"	104"	32 lbs.	\$342.00	(100.25)	12104.SSP	12"	104"	32 lbs.	\$342.00
13104.MSP	13"	104"	34 lbs.	\$358.00	(100.25)	13104.SSP	13"	104"	34 lbs.	\$358.00
15104.MSP	15"	104"	38 lbs.	\$358.00	(100.25)	15104.SSP	15"	104"	38 lbs.	\$358.00
16104.MSP	16"	104"	40 lbs.	\$373.00	(100.25)	16104.SSP	16"	104"	40 lbs.	\$373.00
18104.MSP	18"	104"	43 lbs.	\$373.00	(100.25)	18104.SSP	18"	104"	43 lbs.	\$373.00
20104.MSP	20"	104"	47 lbs.	\$388.00	(100.25)	20104.SSP	20"	104"	47 lbs.	\$388.00
24104.MSP	24"	104"	54 lbs.	\$403.00	(100.25)	24104.SSP	24"	104"	54 lbs.	\$403.00
26104.MSP	26"	104"	58 lbs.	\$419.00	(100.25)	26104.SSP	26"	104"	58 lbs.	\$419.00
30104.MSP	30"	104"	65 lbs.	\$419.00	(100.25)	30104.SSP	30"	104"	65 lbs.	\$419.00
32104.MSP	32"	104"	69 lbs.	\$432.00	(100.25)	32104.SSP	32"	104"	69 lbs.	\$432.00
36104.MSP	36"	104"	76 lbs.	\$432.00	(100.25)	36104.SSP	36"	104"	76 lbs.	\$432.00
40104.MSP	40"	104"	84 lbs.	\$432.00	(100.25)	40104.SSP	40"	104"	84 lbs.	\$432.00
48104.MSP	48"	104"	98 lbs.	\$449.00	(100.25)	48104.SSP	48"	104"	98 lbs.	\$449.00
54104.MSP	54"	104"	109 lbs.	\$628.00	(100.25)	54104.SSP	54"	104"	109 lbs.	\$628.00
60104.MSP	60"	104"	120 lbs.	\$807.00	(100.25)	60104.SSP	60"	104"	120 lbs.	\$807.00

LOW PROFILE END PANELS

Steel

Low Profile Mechanical Assist						Low Profile Static				
Part Number	Width	Height	Weight	List Price	Shelving Height	Part Number	Width	Height	Weight	List Price
					(121.25)	09125.SSP	09"	125"	32 lbs.	\$380.00
					(121.25)	10125.SSP	10"	125"	34 lbs.	\$402.00
12125.MSP	12"	125"	39 lbs.	\$417.00	(121.25)	12125.SSP	12"	125"	39 lbs.	\$417.00
13125.MSP	13"	125"	41 lbs.	\$427.00	(121.25)	13125.SSP	13"	125"	41 lbs.	\$436.00
15125.MSP	15"	125"	45 lbs.	\$427.00	(121.25)	15125.SSP	15"	125"	45 lbs.	\$436.00
16125.MSP	16"	125"	48 lbs.	\$449.00	(121.25)	16125.SSP	16"	125"	48 lbs.	\$454.00
18125.MSP	18"	125"	52 lbs.	\$449.00	(121.25)	18125.SSP	18"	125"	52 lbs.	\$454.00
20125.MSP	20"	125"	56 lbs.	\$470.00	(121.25)	20125.SSP	20"	125"	56 lbs.	\$473.00
24125.MSP	24"	125"	65 lbs.	\$491.00	(121.25)	24125.SSP	24"	125"	65 lbs.	\$490.00
26125.MSP	26"	125"	69 lbs.	\$533.00	(121.25)	26125.SSP	26"	125"	69 lbs.	\$511.00
30125.MSP	30"	125"	78 lbs.	\$533.00	(121.25)	30125.SSP	30"	125"	78 lbs.	\$511.00
32125.MSP	32"	125"	82 lbs.	\$543.00	(121.25)	32125.SSP	32"	125"	82 lbs.	\$526.00
36125.MSP	36"	125"	91 lbs.	\$543.00	(121.25)	36125.SSP	36"	125"	91 lbs.	\$526.00
40125.MSP	40"	125"	100 lbs.	\$543.00	(121.25)	40125.SSP	40"	125"	100 lbs.	\$526.00
48125.MSP	48"	125"	117 lbs.	\$591.00	(121.25)	48125.SSP	48"	125"	119 lbs.	\$546.00
54125.MSP	54"	125"	130 lbs.	\$766.00	(121.25)	54125.SSP	54"	125"	130 lbs.	\$766.00
60125.MSP	60"	125"	144 lbs.	\$987.00	(121.25)	60125.SSP	60"	125"	144 lbs.	\$987.00

LOW PROFILE END PANELS

Steel with Waist High Lock

Low Profile Mechanical Assist					
Part Number	Width	Height	Weight	List Price	Shelving Height
12068.MSP.FLCK	12"	68"	22 lbs.	\$342.00	(64.25)
13068.MSP.FLCK	13"	68"	23 lbs.	\$358.00	(64.25)
15068.MSP.FLCK	15"	68"	25 lbs.	\$358.00	(64.25)
16068.MSP.FLCK	16"	68"	27 lbs.	\$373.00	(64.25)
18068.MSP.FLCK	18"	68"	29 lbs.	\$373.00	(64.25)
20068.MSP.FLCK	20"	68"	31 lbs.	\$388.00	(64.25)
24068.MSP.FLCK	24"	68"	36 lbs.	\$403.00	(64.25)
26068.MSP.FLCK	26"	68"	39 lbs.	\$419.00	(64.25)
30068.MSP.FLCK	30"	68"	44 lbs.	\$419.00	(64.25)
32068.MSP.FLCK	32"	68"	46 lbs.	\$432.00	(64.25)
36068.MSP.FLCK	36"	68"	51 lbs.	\$432.00	(64.25)
40068.MSP.FLCK	40"	68"	56 lbs.	\$432.00	(64.25)
48068.MSP.FLCK	48"	68"	66 lbs.	\$449.00	(64.25)
54068.MSP.FLCK	54"	68"	73 lbs.	\$628.00	(64.25)
60068.MSP.FLCK	60"	68"	80 lbs.	\$807.00	(64.25)
12080.MSP.FLCK	12"	80"	25 lbs.	\$342.00	(76.25)
13080.MSP.FLCK	13"	80"	27 lbs.	\$358.00	(76.25)
15080.MSP.FLCK	15"	80"	30 lbs.	\$358.00	(76.25)
16080.MSP.FLCK	16"	80"	31 lbs.	\$373.00	(76.25)
18080.MSP.FLCK	18"	80"	34 lbs.	\$373.00	(76.25)
20080.MSP.FLCK	20"	80"	37 lbs.	\$388.00	(76.25)
24080.MSP.FLCK	24"	80"	42 lbs.	\$403.00	(76.25)
26080.MSP.FLCK	26"	80"	45 lbs.	\$419.00	(76.25)
30080.MSP.FLCK	30"	80"	51 lbs.	\$419.00	(76.25)
32080.MSP.FLCK	32"	80"	54 lbs.	\$432.00	(76.25)
36080.MSP.FLCK	36"	80"	59 lbs.	\$432.00	(76.25)
40080.MSP.FLCK	40"	80"	65 lbs.	\$432.00	(76.25)
48080.MSP.FLCK	48"	80"	76 lbs.	\$449.00	(76.25)
54080.MSP.FLCK	54"	80"	85 lbs.	\$628.00	(76.25)
60080.MSP.FLCK	60"	80"	93 lbs.	\$807.00	(76.25)
12089.MSP.FLCK	12"	89"	28 lbs.	\$342.00	(85.25)
13089.MSP.FLCK	13"	89"	30 lbs.	\$358.00	(85.25)
15089.MSP.FLCK	15"	89"	33 lbs.	\$358.00	(85.25)
16089.MSP.FLCK	16"	89"	34 lbs.	\$373.00	(85.25)
18089.MSP.FLCK	18"	89"	37 lbs.	\$373.00	(85.25)
20089.MSP.FLCK	20"	89"	41 lbs.	\$388.00	(85.25)
24089.MSP.FLCK	24"	89"	49 lbs.	\$403.00	(85.25)
26089.MSP.FLCK	26"	89"	50 lbs.	\$419.00	(85.25)
30089.MSP.FLCK	30"	89"	56 lbs.	\$419.00	(85.25)
32089.MSP.FLCK	32"	89"	59 lbs.	\$432.00	(85.25)
36089.MSP.FLCK	36"	89"	66 lbs.	\$432.00	(85.25)
40089.MSP.FLCK	40"	89"	72 lbs.	\$432.00	(85.25)
48089.MSP.FLCK	48"	89"	85 lbs.	\$449.00	(85.25)
54089.MSP.FLCK	54"	89"	94 lbs.	\$628.00	(85.25)
60089.MSP.FLCK	60"	89"	104 lbs.	\$807.00	(85.25)

LOW PROFILE END PANELS

Steel with Waist High Lock

Low Profile Mechanical Assist					
Part Number	Width	Height	Weight	List Price	Shelving Height
12092.MSP.FLCK	12"	92"	29 lbs.	\$342.00	(88.25)
13092.MSP.FLCK	13"	92"	30 lbs.	\$358.00	(88.25)
15092.MSP.FLCK	15"	92"	34 lbs.	\$358.00	(88.25)
16092.MSP.FLCK	16"	92"	35 lbs.	\$373.00	(88.25)
18092.MSP.FLCK	18"	92"	39 lbs.	\$373.00	(88.25)
20092.MSP.FLCK	20"	92"	42 lbs.	\$388.00	(88.25)
24092.MSP.FLCK	24"	92"	48 lbs.	\$403.00	(88.25)
26092.MSP.FLCK	26"	92"	52 lbs.	\$419.00	(88.25)
30092.MSP.FLCK	30"	92"	58 lbs.	\$419.00	(88.25)
32092.MSP.FLCK	32"	92"	61 lbs.	\$432.00	(88.25)
36092.MSP.FLCK	36"	92"	68 lbs.	\$432.00	(88.25)
40092.MSP.FLCK	40"	92"	74 lbs.	\$432.00	(88.25)
48092.MSP.FLCK	48"	92"	87 lbs.	\$449.00	(88.25)
54092.MSP.FLCK	54"	92"	97 lbs.	\$628.00	(88.25)
60092.MSP.FLCK	60"	92"	107 lbs.	\$807.00	(88.25)
12101.MSP.FLCK	12"	101"	32 lbs.	\$342.00	(97.25)
13101.MSP.FLCK	13"	101"	33 lbs.	\$358.00	(97.25)
15101.MSP.FLCK	15"	101"	37 lbs.	\$358.00	(97.25)
16101.MSP.FLCK	16"	101"	39 lbs.	\$373.00	(97.25)
18101.MSP.FLCK	18"	101"	42 lbs.	\$373.00	(97.25)
20101.MSP.FLCK	20"	101"	46 lbs.	\$388.00	(97.25)
24101.MSP.FLCK	24"	101"	53 lbs.	\$403.00	(97.25)
26101.MSP.FLCK	26"	101"	56 lbs.	\$419.00	(97.25)
30101.MSP.FLCK	30"	101"	64 lbs.	\$419.00	(97.25)
32101.MSP.FLCK	32"	101"	67 lbs.	\$432.00	(97.25)
36101.MSP.FLCK	36"	101"	74 lbs.	\$432.00	(97.25)
40101.MSP.FLCK	40"	101"	81 lbs.	\$432.00	(97.25)
48101.MSP.FLCK	48"	101"	96 lbs.	\$449.00	(97.25)
54101.MSP.FLCK	54"	101"	106 lbs.	\$628.00	(97.25)
60101.MSP.FLCK	60"	101"	117 lbs.	\$807.00	(97.25)
12104.MSP.FLCK	12"	104"	32 lbs.	\$342.00	(100.25)
13104.MSP.FLCK	13"	104"	34 lbs.	\$358.00	(100.25)
15104.MSP.FLCK	15"	104"	38 lbs.	\$358.00	(100.25)
16104.MSP.FLCK	16"	104"	40 lbs.	\$373.00	(100.25)
18104.MSP.FLCK	18"	104"	43 lbs.	\$373.00	(100.25)
20104.MSP.FLCK	20"	104"	47 lbs.	\$388.00	(100.25)
24104.MSP.FLCK	24"	104"	54 lbs.	\$403.00	(100.25)
26104.MSP.FLCK	26"	104"	58 lbs.	\$419.00	(100.25)
30104.MSP.FLCK	30"	104"	65 lbs.	\$419.00	(100.25)
32104.MSP.FLCK	32"	104"	69 lbs.	\$432.00	(100.25)
36104.MSP.FLCK	36"	104"	76 lbs.	\$432.00	(100.25)
40104.MSP.FLCK	40"	104"	84 lbs.	\$432.00	(100.25)
48104.MSP.FLCK	48"	104"	98 lbs.	\$449.00	(100.25)
54104.MSP.FLCK	54"	104"	109 lbs.	\$628.00	(100.25)
60104.MSP.FLCK	60"	104"	120 lbs.	\$807.00	(100.25)

LOW PROFILE END PANELS

Steel with Waist High Lock

Low Profile Mechanical Assist					
Part Number	Width	Height	Weight	List Price	Shelving Height
12125.MSP.FLCK	12"	125"	39 lbs.	\$417.00	(121.25)
13125.MSP.FLCK	13"	125"	41 lbs.	\$427.00	(121.25)
15125.MSP.FLCK	15"	125"	45 lbs.	\$427.00	(121.25)
16125.MSP.FLCK	16"	125"	48 lbs.	\$449.00	(121.25)
18125.MSP.FLCK	18"	125"	52 lbs.	\$449.00	(121.25)
20125.MSP.FLCK	20"	125"	56 lbs.	\$470.00	(121.25)
24125.MSP.FLCK	24"	125"	65 lbs.	\$491.00	(121.25)
26125.MSP.FLCK	26"	125"	69 lbs.	\$533.00	(121.25)
30125.MSP.FLCK	30"	125"	78 lbs.	\$533.00	(121.25)
32125.MSP.FLCK	32"	125"	82 lbs.	\$543.00	(121.25)
36125.MSP.FLCK	36"	125"	91 lbs.	\$543.00	(121.25)
40125.MSP.FLCK	40"	125"	100 lbs.	\$543.00	(121.25)
48125.MSP.FLCK	48"	125"	117 lbs.	\$591.00	(121.25)
54125.MSP.FLCK	54"	125"	130 lbs.	\$766.00	(121.25)
60125.MSP.FLCK	60"	125"	144 lbs.	\$987.00	(121.25)

LOW PROFILE END PANELS

Low Pressure Laminate with Composite Edge

Low Profile Mechanical Assist					Low-Profile Static					
Part Number	Width	Height	Weight	List Price	Shelving Height	Part Number	Width	Height	Weight	List Price
					(64.25)	09068.SLP	09"	68"	19 lbs.	\$360.00
					(64.25)	10068.SLP	10"	68"	20 lbs.	\$360.00
12068.MLP	12"	68"	23 lbs.	\$382.00	(64.25)	12068.SLP	12"	68"	23 lbs.	\$382.00
13068.MLP	13"	68"	25 lbs.	\$382.00	(64.25)	13068.SLP	13"	68"	25 lbs.	\$382.00
15068.MLP	15"	68"	28 lbs.	\$426.00	(64.25)	15068.SLP	15"	68"	28 lbs.	\$426.00
16068.MLP	16"	68"	30 lbs.	\$426.00	(64.25)	16068.SLP	16"	68"	30 lbs.	\$426.00
18068.MLP	18"	68"	33 lbs.	\$442.00	(64.25)	18068.SLP	18"	68"	33 lbs.	\$442.00
20068.MLP	20"	68"	36 lbs.	\$453.00	(64.25)	20068.SLP	20"	68"	36 lbs.	\$453.00
24068.MLP	24"	68"	43 lbs.	\$476.00	(64.25)	24068.SLP	24"	68"	43 lbs.	\$476.00
26068.MLP	26"	68"	46 lbs.	\$566.00	(64.25)	26068.SLP	26"	68"	46 lbs.	\$566.00
30068.MLP	30"	68"	53 lbs.	\$566.00	(64.25)	30068.SLP	30"	68"	53 lbs.	\$566.00
32068.MLP	32"	68"	56 lbs.	\$595.00	(64.25)	32068.SLP	32"	68"	56 lbs.	\$595.00
36068.MLP	36"	68"	62 lbs.	\$595.00	(64.25)	36068.SLP	36"	68"	62 lbs.	\$595.00
40068.MLP	40"	68"	69 lbs.	\$671.00	(64.25)	40068.SLP	40"	68"	69 lbs.	\$671.00
48068.MLP	48"	68"	82 lbs.	\$671.00	(64.25)	48068.SLP	48"	68"	82 lbs.	\$671.00
54068.MLP	54"	68"	92 lbs.	\$756.00	(64.25)	54068.SLP	54"	68"	92 lbs.	\$756.00
60068.MLP	60"	68"	102 lbs.	\$756.00	(64.25)	60068.SLP	60"	68"	102 lbs.	\$756.00
					(76.25)	09080.SLP	09"	80"	22 lbs.	\$360.00
					(76.25)	10080.SLP	10"	80"	24 lbs.	\$360.00
12080.MLP	12"	80"	28 lbs.	\$382.00	(76.25)	12080.SLP	12"	80"	28 lbs.	\$382.00
13080.MLP	13"	80"	29 lbs.	\$382.00	(76.25)	13080.SLP	13"	80"	29 lbs.	\$382.00
15080.MLP	15"	80"	33 lbs.	\$426.00	(76.25)	15080.SLP	15"	80"	33 lbs.	\$426.00
16080.MLP	16"	80"	35 lbs.	\$426.00	(76.25)	16080.SLP	16"	80"	35 lbs.	\$426.00
18080.MLP	18"	80"	39 lbs.	\$442.00	(76.25)	18080.SLP	18"	80"	39 lbs.	\$442.00
20080.MLP	20"	80"	43 lbs.	\$453.00	(76.25)	20080.SLP	20"	80"	43 lbs.	\$453.00
24080.MLP	24"	80"	51 lbs.	\$476.00	(76.25)	24080.SLP	24"	80"	51 lbs.	\$476.00
26080.MLP	26"	80"	54 lbs.	\$566.00	(76.25)	26080.SLP	26"	80"	54 lbs.	\$566.00
30080.MLP	30"	80"	62 lbs.	\$566.00	(76.25)	30080.SLP	30"	80"	62 lbs.	\$566.00
32080.MLP	32"	80"	66 lbs.	\$595.00	(76.25)	32080.SLP	32"	80"	66 lbs.	\$595.00
36080.MLP	36"	80"	73 lbs.	\$595.00	(76.25)	36080.SLP	36"	80"	73 lbs.	\$595.00
40080.MLP	40"	80"	81 lbs.	\$671.00	(76.25)	40080.SLP	40"	80"	81 lbs.	\$671.00
48080.MLP	48"	80"	96 lbs.	\$671.00	(76.25)	48080.SLP	48"	80"	96 lbs.	\$671.00
54080.MLP	54"	80"	108 lbs.	\$756.00	(76.25)	54080.SLP	54"	80"	108 lbs.	\$756.00
60080.MLP	60"	80"	119 lbs.	\$756.00	(76.25)	60080.SLP	60"	80"	119 lbs.	\$756.00
					(85.25)	09089.SLP	09"	89"	24 lbs.	\$360.00
					(85.25)	10089.SLP	10"	89"	26 lbs.	\$360.00
12089.MLP	12"	89"	31 lbs.	\$382.00	(85.25)	12089.SLP	12"	89"	31 lbs.	\$382.00
13089.MLP	13"	89"	33 lbs.	\$382.00	(85.25)	13089.SLP	13"	89"	33 lbs.	\$382.00
15089.MLP	15"	89"	37 lbs.	\$426.00	(85.25)	15089.SLP	15"	89"	37 lbs.	\$426.00
16089.MLP	16"	89"	39 lbs.	\$426.00	(85.25)	16089.SLP	16"	89"	39 lbs.	\$426.00
18089.MLP	18"	89"	43 lbs.	\$442.00	(85.25)	18089.SLP	18"	89"	43 lbs.	\$442.00
20089.MLP	20"	89"	48 lbs.	\$453.00	(85.25)	20089.SLP	20"	89"	48 lbs.	\$453.00
24089.MLP	24"	89"	56 lbs.	\$476.00	(85.25)	24089.SLP	24"	89"	56 lbs.	\$476.00
26089.MLP	26"	89"	60 lbs.	\$566.00	(85.25)	26089.SLP	26"	89"	60 lbs.	\$566.00
30089.MLP	30"	89"	69 lbs.	\$566.00	(85.25)	30089.SLP	30"	89"	69 lbs.	\$566.00
32089.MLP	32"	89"	73 lbs.	\$595.00	(85.25)	32089.SLP	32"	89"	73 lbs.	\$595.00
36089.MLP	36"	89"	82 lbs.	\$595.00	(85.25)	36089.SLP	36"	89"	82 lbs.	\$595.00
40089.MLP	40"	89"	90 lbs.	\$671.00	(85.25)	40089.SLP	40"	89"	90 lbs.	\$671.00
48089.MLP	48"	89"	107 lbs.	\$671.00	(85.25)	48089.SLP	48"	89"	107 lbs.	\$671.00
54089.MLP	54"	89"	120 lbs.	\$756.00	(85.25)	54089.SLP	54"	89"	120 lbs.	\$756.00
60089.MLP	60"	89"	133 lbs.	\$756.00	(85.25)	60089.SLP	60"	89"	133 lbs.	\$756.00

Low Pressure Laminate Options Include: Antique White, Black, Fog Gray, Manitoba Maple.

LOW PROFILE END PANELS

Low Pressure Laminate with Composite Edge

Low Profile Mechanical Assist					Low Profile Static					
Part Number	Width	Height	Weight	List Price	Shelving Height	Part Number	Width	Height	Weight	List Price
					(88.25)	09092.SLP	09"	92"	25 lbs.	\$360.00
					(88.25)	10092.SLP	10"	92"	27 lbs.	\$360.00
12092.MLP	12"	92"	32 lbs.	\$382.00	(88.25)	12092.SLP	12"	92"	32 lbs.	\$382.00
13092.MLP	13"	92"	34 lbs.	\$382.00	(88.25)	13092.SLP	13"	92"	34 lbs.	\$382.00
15092.MLP	15"	92"	38 lbs.	\$426.00	(88.25)	15092.SLP	15"	92"	38 lbs.	\$426.00
16092.MLP	16"	92"	40 lbs.	\$426.00	(88.25)	16092.SLP	16"	92"	40 lbs.	\$426.00
18092.MLP	18"	92"	45 lbs.	\$442.00	(88.25)	18092.SLP	18"	92"	45 lbs.	\$442.00
20092.MLP	20"	92"	49 lbs.	\$453.00	(88.25)	20092.SLP	20"	92"	49 lbs.	\$453.00
24092.MLP	24"	92"	58 lbs.	\$476.00	(88.25)	24092.SLP	24"	92"	58 lbs.	\$476.00
26092.MLP	26"	92"	62 lbs.	\$566.00	(88.25)	26092.SLP	26"	92"	62 lbs.	\$566.00
30092.MLP	30"	92"	71 lbs.	\$566.00	(88.25)	30092.SLP	30"	92"	71 lbs.	\$566.00
32092.MLP	32"	92"	76 lbs.	\$595.00	(88.25)	32092.SLP	32"	92"	76 lbs.	\$595.00
36092.MLP	36"	92"	84 lbs.	\$595.00	(88.25)	36092.SLP	36"	92"	84 lbs.	\$595.00
40092.MLP	40"	92"	93 lbs.	\$671.00	(88.25)	40092.SLP	40"	92"	93 lbs.	\$671.00
48092.MLP	48"	92"	111 lbs.	\$671.00	(88.25)	48092.SLP	48"	92"	111 lbs.	\$671.00
54092.MLP	54"	92"	124 lbs.	\$756.00	(88.25)	54092.SLP	54"	92"	124 lbs.	\$756.00
60092.MLP	60"	92"	137 lbs.	\$756.00	(88.25)	60092.SLP	60"	92"	137 lbs.	\$756.00
					(97.25)	09101.SLP	09"	101"	27 lbs.	\$382.00
					(97.25)	10101.SLP	10"	101"	30 lbs.	\$382.00
12101.MLP	12"	101"	35 lbs.	\$407.00	(97.25)	12101.SLP	12"	101"	35 lbs.	\$407.00
13101.MLP	13"	101"	37 lbs.	\$407.00	(97.25)	13101.SLP	13"	101"	37 lbs.	\$407.00
15101.MLP	15"	101"	42 lbs.	\$456.00	(97.25)	15101.SLP	15"	101"	42 lbs.	\$456.00
16101.MLP	16"	101"	44 lbs.	\$456.00	(97.25)	16101.SLP	16"	101"	44 lbs.	\$456.00
18101.MLP	18"	101"	49 lbs.	\$477.00	(97.25)	18101.SLP	18"	101"	49 lbs.	\$477.00
20101.MLP	20"	101"	54 lbs.	\$489.00	(97.25)	20101.SLP	20"	101"	54 lbs.	\$489.00
24101.MLP	24"	101"	64 lbs.	\$519.00	(97.25)	24101.SLP	24"	101"	64 lbs.	\$519.00
26101.MLP	26"	101"	69 lbs.	\$618.00	(97.25)	26101.SLP	26"	101"	69 lbs.	\$618.00
30101.MLP	30"	101"	78 lbs.	\$618.00	(97.25)	30101.SLP	30"	101"	78 lbs.	\$618.00
32101.MLP	32"	101"	83 lbs.	\$653.00	(97.25)	32101.SLP	32"	101"	83 lbs.	\$653.00
36101.MLP	36"	101"	93 lbs.	\$653.00	(97.25)	36101.SLP	36"	101"	93 lbs.	\$653.00
40101.MLP	40"	101"	102 lbs.	\$750.00	(97.25)	40101.SLP	40"	101"	102 lbs.	\$750.00
48101.MLP	48"	101"	122 lbs.	\$750.00	(97.25)	48101.SLP	48"	101"	122 lbs.	\$750.00
54101.MLP	54"	101"	136 lbs.	\$847.00	(97.25)	54101.SLP	54"	101"	136 lbs.	\$847.00
60101.MLP	60"	101"	151 lbs.	\$847.00	(97.25)	60101.SLP	60"	101"	151 lbs.	\$847.00
					(100.25)	09104.SLP	09"	104"	28 lbs.	\$382.00
					(100.25)	10104.SLP	10"	104"	31 lbs.	\$382.00
12104.MLP	12"	104"	36 lbs.	\$407.00	(100.25)	12104.SLP	12"	104"	36 lbs.	\$407.00
13104.MLP	13"	104"	38 lbs.	\$407.00	(100.25)	13104.SLP	13"	104"	38 lbs.	\$407.00
15104.MLP	15"	104"	43 lbs.	\$456.00	(100.25)	15104.SLP	15"	104"	43 lbs.	\$456.00
16104.MLP	16"	104"	46 lbs.	\$456.00	(100.25)	16104.SLP	16"	104"	46 lbs.	\$456.00
18104.MLP	18"	104"	51 lbs.	\$477.00	(100.25)	18104.SLP	18"	104"	51 lbs.	\$477.00
20104.MLP	20"	104"	56 lbs.	\$489.00	(100.25)	20104.SLP	20"	104"	56 lbs.	\$489.00
24104.MLP	24"	104"	66 lbs.	\$519.00	(100.25)	24104.SLP	24"	104"	66 lbs.	\$519.00
26104.MLP	26"	104"	71 lbs.	\$618.00	(100.25)	26104.SLP	26"	104"	71 lbs.	\$618.00
30104.MLP	30"	104"	81 lbs.	\$618.00	(100.25)	30104.SLP	30"	104"	81 lbs.	\$618.00
32104.MLP	32"	104"	86 lbs.	\$653.00	(100.25)	32104.SLP	32"	104"	86 lbs.	\$653.00
36104.MLP	36"	104"	95 lbs.	\$653.00	(100.25)	36104.SLP	36"	104"	95 lbs.	\$653.00
40104.MLP	40"	104"	105 lbs.	\$750.00	(100.25)	40104.SLP	40"	104"	105 lbs.	\$750.00
48104.MLP	48"	104"	125 lbs.	\$750.00	(100.25)	48104.SLP	48"	104"	125 lbs.	\$750.00
54104.MLP	54"	104"	140 lbs.	\$847.00	(100.25)	54104.SLP	54"	104"	140 lbs.	\$847.00
60104.MLP	60"	104"	155 lbs.	\$847.00	(100.25)	60104.SLP	60"	104"	155 lbs.	\$847.00

Low Pressure Laminate Options Include: Antique White, Black, Fog Gray, Manitoba Maple.

LOW PROFILE END PANELS

Low Pressure Laminate with Composite Edge

Low Profile Mechanical Assist						Low Profile Static				
Part Number	Width	Height	Weight	List Price	Shelving Height	Part Number	Width	Height	Weight	List Price
					(121.25)	09125.SLP	09"	125"	34 lbs.	\$463.00
					(121.25)	10125.SLP	10"	125"	37 lbs.	\$463.00
12125.MLP	12"	125"	43 lbs.	\$490.00	(121.25)	12125.SLP	12"	125"	43 lbs.	\$490.00
13125.MLP	13"	125"	46 lbs.	\$490.00	(121.25)	13125.SLP	13"	125"	46 lbs.	\$490.00
15125.MLP	15"	125"	52 lbs.	\$546.00	(121.25)	15125.SLP	15"	125"	52 lbs.	\$546.00
16125.MLP	16"	125"	55 lbs.	\$546.00	(121.25)	16125.SLP	16"	125"	55 lbs.	\$546.00
18125.MLP	18"	125"	61 lbs.	\$572.00	(121.25)	18125.SLP	18"	125"	61 lbs.	\$572.00
20125.MLP	20"	125"	67 lbs.	\$585.00	(121.25)	20125.SLP	20"	125"	67 lbs.	\$585.00
24125.MLP	24"	125"	79 lbs.	\$619.00	(121.25)	24125.SLP	24"	125"	79 lbs.	\$619.00
26125.MLP	26"	125"	85 lbs.	\$733.00	(121.25)	26125.SLP	26"	125"	85 lbs.	\$733.00
30125.MLP	30"	125"	97 lbs.	\$733.00	(121.25)	30125.SLP	30"	125"	97 lbs.	\$733.00
32125.MLP	32"	125"	103 lbs.	\$775.00	(121.25)	32125.SLP	32"	125"	103 lbs.	\$775.00
36125.MLP	36"	125"	115 lbs.	\$775.00	(121.25)	36125.SLP	36"	125"	115 lbs.	\$775.00
40125.MLP	40"	125"	127 lbs.	\$886.00	(121.25)	40125.SLP	40"	125"	127 lbs.	\$886.00
48125.MLP	48"	125"	151 lbs.	\$886.00	(121.25)	48125.SLP	48"	125"	151 lbs.	\$886.00
54125.MLP	54"	125"	169 lbs.	\$996.00	(121.25)	54125.SLP	54"	125"	169 lbs.	\$996.00
60125.MLP	60"	125"	187 lbs.	\$996.00	(121.25)	60125.SLP	60"	125"	187 lbs.	\$996.00

Low Pressure Laminate Options Include: Antique White, Black, Fog Gray, Manitoba Maple.

LOW PROFILE END PANELS

Low Pressure Laminate with Composite Edge and Waist High Lock

Low Profile Mechanical Assist					
Part Number	Width	Height	Weight	List Price	Shelving Height
12068.MLP.FLCK	12"	68"	23 lbs.	\$382.00	(64.25)
13068.MLP.FLCK	13"	68"	25 lbs.	\$382.00	(64.25)
15068.MLP.FLCK	15"	68"	28 lbs.	\$426.00	(64.25)
16068.MLP.FLCK	16"	68"	30 lbs.	\$426.00	(64.25)
18068.MLP.FLCK	18"	68"	33 lbs.	\$442.00	(64.25)
20068.MLP.FLCK	20"	68"	36 lbs.	\$453.00	(64.25)
24068.MLP.FLCK	24"	68"	43 lbs.	\$476.00	(64.25)
26068.MLP.FLCK	26"	68"	46 lbs.	\$566.00	(64.25)
30068.MLP.FLCK	30"	68"	53 lbs.	\$566.00	(64.25)
32068.MLP.FLCK	32"	68"	56 lbs.	\$595.00	(64.25)
36068.MLP.FLCK	36"	68"	62 lbs.	\$595.00	(64.25)
40068.MLP.FLCK	40"	68"	69 lbs.	\$671.00	(64.25)
48068.MLP.FLCK	48"	68"	82 lbs.	\$671.00	(64.25)
54068.MLP.FLCK	54"	68"	92 lbs.	\$756.00	(64.25)
60068.MLP.FLCK	60"	68"	102 lbs.	\$756.00	(64.25)
12080.MLP.FLCK	12"	80"	28 lbs.	\$382.00	(76.25)
13080.MLP.FLCK	13"	80"	29 lbs.	\$382.00	(76.25)
15080.MLP.FLCK	15"	80"	33 lbs.	\$426.00	(76.25)
16080.MLP.FLCK	16"	80"	35 lbs.	\$426.00	(76.25)
18080.MLP.FLCK	18"	80"	39 lbs.	\$442.00	(76.25)
20080.MLP.FLCK	20"	80"	43 lbs.	\$453.00	(76.25)
24080.MLP.FLCK	24"	80"	51 lbs.	\$476.00	(76.25)
26080.MLP.FLCK	26"	80"	54 lbs.	\$566.00	(76.25)
30080.MLP.FLCK	30"	80"	62 lbs.	\$566.00	(76.25)
32080.MLP.FLCK	32"	80"	66 lbs.	\$595.00	(76.25)
36080.MLP.FLCK	36"	80"	73 lbs.	\$595.00	(76.25)
40080.MLP.FLCK	40"	80"	81 lbs.	\$671.00	(76.25)
48080.MLP.FLCK	48"	80"	96 lbs.	\$671.00	(76.25)
54080.MLP.FLCK	54"	80"	108 lbs.	\$756.00	(76.25)
60080.MLP.FLCK	60"	80"	119 lbs.	\$756.00	(76.25)
12089.MLP.FLCK	12"	89"	31 lbs.	\$382.00	(85.25)
13089.MLP.FLCK	13"	89"	33 lbs.	\$382.00	(85.25)
15089.MLP.FLCK	15"	89"	37 lbs.	\$426.00	(85.25)
16089.MLP.FLCK	16"	89"	39 lbs.	\$426.00	(85.25)
18089.MLP.FLCK	18"	89"	43 lbs.	\$442.00	(85.25)
20089.MLP.FLCK	20"	89"	48 lbs.	\$453.00	(85.25)
24089.MLP.FLCK	24"	89"	56 lbs.	\$476.00	(85.25)
26089.MLP.FLCK	26"	89"	60 lbs.	\$566.00	(85.25)
30089.MLP.FLCK	30"	89"	69 lbs.	\$566.00	(85.25)
32089.MLP.FLCK	32"	89"	73 lbs.	\$595.00	(85.25)
36089.MLP.FLCK	36"	89"	82 lbs.	\$595.00	(85.25)
40089.MLP.FLCK	40"	89"	90 lbs.	\$671.00	(85.25)
48089.MLP.FLCK	48"	89"	107 lbs.	\$671.00	(85.25)
54089.MLP.FLCK	54"	89"	120 lbs.	\$756.00	(85.25)
60089.MLP.FLCK	60"	89"	133 lbs.	\$756.00	(85.25)

Low Pressure Laminate Options Include: Antique White, Black, Fog Gray, Manitoba Maple.

LOW PROFILE END PANELS

Low Pressure Laminate with Composite Edge and Waist High Lock

Low Profile Mechanical Assist					
Part Number	Width	Height	Weight	List Price	Shelving Height
12092.MLP.FLCK	12"	92"	32 lbs.	\$382.00	(88.25)
13092.MLP.FLCK	13"	92"	34 lbs.	\$382.00	(88.25)
15092.MLP.FLCK	15"	92"	38 lbs.	\$426.00	(88.25)
16092.MLP.FLCK	16"	92"	40 lbs.	\$426.00	(88.25)
18092.MLP.FLCK	18"	92"	45 lbs.	\$442.00	(88.25)
20092.MLP.FLCK	20"	92"	49 lbs.	\$453.00	(88.25)
24092.MLP.FLCK	24"	92"	58 lbs.	\$476.00	(88.25)
26092.MLP.FLCK	26"	92"	62 lbs.	\$566.00	(88.25)
30092.MLP.FLCK	30"	92"	71 lbs.	\$566.00	(88.25)
32092.MLP.FLCK	32"	92"	76 lbs.	\$595.00	(88.25)
36092.MLP.FLCK	36"	92"	84 lbs.	\$595.00	(88.25)
40092.MLP.FLCK	40"	92"	93 lbs.	\$671.00	(88.25)
48092.MLP.FLCK	48"	92"	111 lbs.	\$671.00	(88.25)
54092.MLP.FLCK	54"	92"	124 lbs.	\$756.00	(88.25)
60092.MLP.FLCK	60"	92"	137 lbs.	\$756.00	(88.25)
12101.MLP.FLCK	12"	101"	35 lbs.	\$407.00	(97.25)
13101.MLP.FLCK	13"	101"	37 lbs.	\$407.00	(97.25)
15101.MLP.FLCK	15"	101"	42 lbs.	\$456.00	(97.25)
16101.MLP.FLCK	16"	101"	44 lbs.	\$456.00	(97.25)
18101.MLP.FLCK	18"	101"	49 lbs.	\$477.00	(97.25)
20101.MLP.FLCK	20"	101"	54 lbs.	\$489.00	(97.25)
24101.MLP.FLCK	24"	101"	64 lbs.	\$519.00	(97.25)
26101.MLP.FLCK	26"	101"	69 lbs.	\$618.00	(97.25)
30101.MLP.FLCK	30"	101"	78 lbs.	\$618.00	(97.25)
32101.MLP.FLCK	32"	101"	83 lbs.	\$653.00	(97.25)
36101.MLP.FLCK	36"	101"	93 lbs.	\$653.00	(97.25)
40101.MLP.FLCK	40"	101"	102 lbs.	\$750.00	(97.25)
48101.MLP.FLCK	48"	101"	122 lbs.	\$750.00	(97.25)
54101.MLP.FLCK	54"	101"	136 lbs.	\$847.00	(97.25)
60101.MLP.FLCK	60"	101"	151 lbs.	\$847.00	(97.25)
12104.MLP.FLCK	12"	104"	36 lbs.	\$407.00	(100.25)
13104.MLP.FLCK	13"	104"	38 lbs.	\$407.00	(100.25)
15104.MLP.FLCK	15"	104"	43 lbs.	\$456.00	(100.25)
16104.MLP.FLCK	16"	104"	46 lbs.	\$456.00	(100.25)
18104.MLP.FLCK	18"	104"	51 lbs.	\$477.00	(100.25)
20104.MLP.FLCK	20"	104"	56 lbs.	\$489.00	(100.25)
24104.MLP.FLCK	24"	104"	66 lbs.	\$519.00	(100.25)
26104.MLP.FLCK	26"	104"	71 lbs.	\$618.00	(100.25)
30104.MLP.FLCK	30"	104"	81 lbs.	\$618.00	(100.25)
32104.MLP.FLCK	32"	104"	86 lbs.	\$653.00	(100.25)
36104.MLP.FLCK	36"	104"	95 lbs.	\$653.00	(100.25)
40104.MLP.FLCK	40"	104"	105 lbs.	\$750.00	(100.25)
48104.MLP.FLCK	48"	104"	125 lbs.	\$750.00	(100.25)
54104.MLP.FLCK	54"	104"	140 lbs.	\$847.00	(100.25)
60104.MLP.FLCK	60"	104"	155 lbs.	\$847.00	(100.25)

Low Pressure Laminate Options Include: Antique White, Black, Fog Gray, Manitoba Maple.

LOW PROFILE END PANELS

Low Pressure Laminate with Composite Edge and Waist High Lock

Low Profile Mechanical Assist					
Part Number	Width	Height	Weight	List Price	Shelving Height
12125.MLP.FLCK	12"	125"	43 lbs.	\$490.00	(121.25)
13125.MLP.FLCK	13"	125"	46 lbs.	\$490.00	(121.25)
15125.MLP.FLCK	15"	125"	52 lbs.	\$546.00	(121.25)
16125.MLP.FLCK	16"	125"	55 lbs.	\$546.00	(121.25)
18125.MLP.FLCK	18"	125"	61 lbs.	\$572.00	(121.25)
20125.MLP.FLCK	20"	125"	67 lbs.	\$585.00	(121.25)
24125.MLP.FLCK	24"	125"	79 lbs.	\$619.00	(121.25)
26125.MLP.FLCK	26"	125"	85 lbs.	\$733.00	(121.25)
30125.MLP.FLCK	30"	125"	97 lbs.	\$733.00	(121.25)
32125.MLP.FLCK	32"	125"	103 lbs.	\$775.00	(121.25)
36125.MLP.FLCK	36"	125"	115 lbs.	\$775.00	(121.25)
40125.MLP.FLCK	40"	125"	127 lbs.	\$886.00	(121.25)
48125.MLP.FLCK	48"	125"	151 lbs.	\$886.00	(121.25)
54125.MLP.FLCK	54"	125"	169 lbs.	\$996.00	(121.25)
60125.MLP.FLCK	60"	125"	187 lbs.	\$996.00	(121.25)

Low Pressure Laminate Options Include: Antique White, Black, Fog Gray, Manitoba Maple.

LOW PROFILE END PANELS

High Pressure Laminate with Composite Edge

Low Profile Mechanical Assist					Low Profile Static					
Part Number	Width	Height	Weight	List Price	Shelving Height	Part Number	Width	Height	Weight	List Price
					(64.25)	09068.SHP	09"	68"	19 lbs.	\$414.00
					(64.25)	10068.SHP	10"	68"	20 lbs.	\$414.00
12068.MHP	12"	68"	23 lbs.	\$414.00	(64.25)	12068.SHP	12"	68"	23 lbs.	\$414.00
13068.MHP	13"	68"	25 lbs.	\$414.00	(64.25)	13068.SHP	13"	68"	25 lbs.	\$414.00
15068.MHP	15"	68"	28 lbs.	\$432.00	(64.25)	15068.SHP	15"	68"	28 lbs.	\$432.00
16068.MHP	16"	68"	30 lbs.	\$432.00	(64.25)	16068.SHP	16"	68"	30 lbs.	\$432.00
18068.MHP	18"	68"	33 lbs.	\$449.00	(64.25)	18068.SHP	18"	68"	33 lbs.	\$449.00
20068.MHP	20"	68"	36 lbs.	\$460.00	(64.25)	20068.SHP	20"	68"	36 lbs.	\$460.00
24068.MHP	24"	68"	43 lbs.	\$483.00	(64.25)	24068.SHP	24"	68"	43 lbs.	\$483.00
26068.MHP	26"	68"	46 lbs.	\$559.00	(64.25)	26068.SHP	26"	68"	46 lbs.	\$559.00
30068.MHP	30"	68"	53 lbs.	\$559.00	(64.25)	30068.SHP	30"	68"	53 lbs.	\$559.00
32068.MHP	32"	68"	56 lbs.	\$585.00	(64.25)	32068.SHP	32"	68"	56 lbs.	\$585.00
36068.MHP	36"	68"	62 lbs.	\$585.00	(64.25)	36068.SHP	36"	68"	62 lbs.	\$585.00
40068.MHP	40"	68"	69 lbs.	\$658.00	(64.25)	40068.SHP	40"	68"	69 lbs.	\$658.00
48068.MHP	48"	68"	82 lbs.	\$658.00	(64.25)	48068.SHP	48"	68"	82 lbs.	\$658.00
54068.MHP	54"	68"	92 lbs.	\$742.00	(64.25)	54068.SHP	54"	68"	92 lbs.	\$742.00
60068.MHP	60"	68"	102 lbs.	\$742.00	(64.25)	60068.SHP	60"	68"	102 lbs.	\$742.00
					(76.25)	09080.SHP	09"	80"	22 lbs.	\$414.00
					(76.25)	10080.SHP	10"	80"	24 lbs.	\$414.00
12080.MHP	12"	80"	28 lbs.	\$414.00	(76.25)	12080.SHP	12"	80"	28 lbs.	\$414.00
13080.MHP	13"	80"	29 lbs.	\$414.00	(76.25)	13080.SHP	13"	80"	29 lbs.	\$414.00
15080.MHP	15"	80"	33 lbs.	\$432.00	(76.25)	15080.SHP	15"	80"	33 lbs.	\$432.00
16080.MHP	16"	80"	35 lbs.	\$432.00	(76.25)	16080.SHP	16"	80"	35 lbs.	\$432.00
18080.MHP	18"	80"	39 lbs.	\$449.00	(76.25)	18080.SHP	18"	80"	39 lbs.	\$449.00
20080.MHP	20"	80"	43 lbs.	\$460.00	(76.25)	20080.SHP	20"	80"	43 lbs.	\$460.00
24080.MHP	24"	80"	51 lbs.	\$483.00	(76.25)	24080.SHP	24"	80"	51 lbs.	\$483.00
26080.MHP	26"	80"	54 lbs.	\$559.00	(76.25)	26080.SHP	26"	80"	54 lbs.	\$559.00
30080.MHP	30"	80"	62 lbs.	\$559.00	(76.25)	30080.SHP	30"	80"	62 lbs.	\$559.00
32080.MHP	32"	80"	66 lbs.	\$585.00	(76.25)	32080.SHP	32"	80"	66 lbs.	\$585.00
36080.MHP	36"	80"	73 lbs.	\$585.00	(76.25)	36080.SHP	36"	80"	73 lbs.	\$585.00
40080.MHP	40"	80"	81 lbs.	\$658.00	(76.25)	40080.SHP	40"	80"	81 lbs.	\$658.00
48080.MHP	48"	80"	96 lbs.	\$658.00	(76.25)	48080.SHP	48"	80"	96 lbs.	\$650.00
54080.MHP	54"	80"	108 lbs.	\$742.00	(76.25)	54080.SHP	54"	80"	108 lbs.	\$742.00
60080.MHP	60"	80"	119 lbs.	\$742.00	(76.25)	60080.SHP	60"	80"	119 lbs.	\$742.00
					(85.25)	09089.SHP	09"	89"	24 lbs.	\$414.00
					(85.25)	10089.SHP	10"	89"	26 lbs.	\$414.00
12089.MHP	12"	89"	31 lbs.	\$414.00	(85.25)	12089.SHP	12"	89"	31 lbs.	\$414.00
13089.MHP	13"	89"	33 lbs.	\$414.00	(85.25)	13089.SHP	13"	89"	33 lbs.	\$414.00
15089.MHP	15"	89"	37 lbs.	\$432.00	(85.25)	15089.SHP	15"	89"	37 lbs.	\$432.00
16089.MHP	16"	89"	39 lbs.	\$432.00	(85.25)	16089.SHP	16"	89"	39 lbs.	\$432.00
18089.MHP	18"	89"	43 lbs.	\$449.00	(85.25)	18089.SHP	18"	89"	43 lbs.	\$449.00
20089.MHP	20"	89"	48 lbs.	\$460.00	(85.25)	20089.SHP	20"	89"	48 lbs.	\$460.00
24089.MHP	24"	89"	56 lbs.	\$483.00	(85.25)	24089.SHP	24"	89"	56 lbs.	\$483.00
26089.MHP	26"	89"	60 lbs.	\$559.00	(85.25)	26089.SHP	26"	89"	60 lbs.	\$559.00
30089.MHP	30"	89"	69 lbs.	\$559.00	(85.25)	30089.SHP	30"	89"	69 lbs.	\$559.00
32089.MHP	32"	89"	73 lbs.	\$585.00	(85.25)	32089.SHP	32"	89"	73 lbs.	\$585.00
36089.MHP	36"	89"	82 lbs.	\$585.00	(85.25)	36089.SHP	36"	89"	82 lbs.	\$585.00
40089.MHP	40"	89"	90 lbs.	\$658.00	(85.25)	40089.SHP	40"	89"	90 lbs.	\$658.00
48089.MHP	48"	89"	107 lbs.	\$658.00	(85.25)	48089.SHP	48"	89"	107 lbs.	\$658.00
54089.MHP	54"	89"	120 lbs.	\$742.00	(85.25)	54089.SHP	54"	89"	120 lbs.	\$742.00
60089.MHP	60"	89"	133 lbs.	\$742.00	(85.25)	60089.SHP	60"	89"	133 lbs.	\$742.00

Prices reflect Standard Wilsonart Laminates.

Wilsonart Premium and High Definition Laminates are also available as a custom order. Call Customer Service for a quote.

LOW PROFILE END PANELS

High Pressure Laminate with Composite Edge

Low Profile Mechanical Assist						Low Profile Static				
Part Number	Width	Height	Weight	List Price	Shelving Height	Part Number	Width	Height	Weight	List Price
					(88.25)	09092.SHP	09"	92"	25 lbs.	\$414.00
					(88.25)	10092.SHP	10"	92"	27 lbs.	\$414.00
12092.MHP	12"	92"	32 lbs.	\$414.00	(88.25)	12092.SHP	12"	92"	32 lbs.	\$414.00
13092.MHP	13"	92"	34 lbs.	\$414.00	(88.25)	13092.SHP	13"	92"	34 lbs.	\$414.00
15092.MHP	15"	92"	38 lbs.	\$432.00	(88.25)	15092.SHP	15"	92"	38 lbs.	\$432.00
16092.MHP	16"	92"	40 lbs.	\$432.00	(88.25)	16092.SHP	16"	92"	40 lbs.	\$432.00
18092.MHP	18"	92"	45 lbs.	\$449.00	(88.25)	18092.SHP	18"	92"	45 lbs.	\$449.00
20092.MHP	20"	92"	49 lbs.	\$460.00	(88.25)	20092.SHP	20"	92"	49 lbs.	\$460.00
24092.MHP	24"	92"	58 lbs.	\$483.00	(88.25)	24092.SHP	24"	92"	58 lbs.	\$483.00
26092.MHP	26"	92"	62 lbs.	\$559.00	(88.25)	26092.SHP	26"	92"	62 lbs.	\$559.00
30092.MHP	30"	92"	71 lbs.	\$569.00	(88.25)	30092.SHP	30"	92"	71 lbs.	\$569.00
32092.MHP	32"	92"	76 lbs.	\$585.00	(88.25)	32092.SHP	32"	92"	76 lbs.	\$585.00
36092.MHP	36"	92"	84 lbs.	\$585.00	(88.25)	36092.SHP	36"	92"	84 lbs.	\$585.00
40092.MHP	40"	92"	93 lbs.	\$658.00	(88.25)	40092.SHP	40"	92"	93 lbs.	\$658.00
48092.MHP	48"	92"	111 lbs.	\$658.00	(88.25)	48092.SHP	48"	92"	111 lbs.	\$658.00
54092.MHP	54"	92"	124 lbs.	\$742.00	(88.25)	54092.SHP	54"	92"	124 lbs.	\$742.00
60092.MHP	60"	92"	137 lbs.	\$742.00	(88.25)	60092.SHP	60"	92"	137 lbs.	\$742.00
					(97.25)	09101.SHP	09"	101"	27 lbs.	\$440.00
					(97.25)	10101.SHP	10"	101"	30 lbs.	\$440.00
12101.MHP	12"	101"	35 lbs.	\$440.00	(97.25)	12101.SHP	12"	101"	35 lbs.	\$440.00
13101.MHP	13"	101"	37 lbs.	\$440.00	(97.25)	13101.SHP	13"	101"	37 lbs.	\$440.00
15101.MHP	15"	101"	42 lbs.	\$470.00	(97.25)	15101.SHP	15"	101"	42 lbs.	\$470.00
16101.MHP	16"	101"	44 lbs.	\$470.00	(97.25)	16101.SHP	16"	101"	44 lbs.	\$470.00
18101.MHP	18"	101"	49 lbs.	\$494.00	(97.25)	18101.SHP	18"	101"	49 lbs.	\$494.00
20101.MHP	20"	101"	54 lbs.	\$505.00	(97.25)	20101.SHP	20"	101"	54 lbs.	\$505.00
24101.MHP	24"	101"	64 lbs.	\$536.00	(97.25)	24101.SHP	24"	101"	64 lbs.	\$536.00
26101.MHP	26"	101"	69 lbs.	\$610.00	(97.25)	26101.SHP	26"	101"	69 lbs.	\$610.00
30101.MHP	30"	101"	78 lbs.	\$610.00	(97.25)	30101.SHP	30"	101"	78 lbs.	\$610.00
32101.MHP	32"	101"	83 lbs.	\$650.00	(97.25)	32101.SHP	32"	101"	83 lbs.	\$650.00
36101.MHP	36"	101"	93 lbs.	\$650.00	(97.25)	36101.SHP	36"	101"	93 lbs.	\$650.00
40101.MHP	40"	101"	102 lbs.	\$738.00	(97.25)	40101.SHP	40"	101"	102 lbs.	\$738.00
48101.MHP	48"	101"	122 lbs.	\$738.00	(97.25)	48101.SHP	48"	101"	122 lbs.	\$738.00
54101.MHP	54"	101"	136 lbs.	\$831.00	(97.25)	54101.SHP	54"	101"	136 lbs.	\$831.00
60101.MHP	60"	101"	151 lbs.	\$831.00	(97.25)	60101.SHP	60"	101"	151 lbs.	\$831.00
					(100.25)	09104.SHP	09"	104"	28 lbs.	\$440.00
					(100.25)	10104.SHP	10"	104"	31 lbs.	\$440.00
12104.MHP	12"	104"	36 lbs.	\$449.00	(100.25)	12104.SHP	12"	104"	36 lbs.	\$449.00
13104.MHP	13"	104"	38 lbs.	\$449.00	(100.25)	13104.SHP	13"	104"	38 lbs.	\$449.00
15104.MHP	15"	104"	43 lbs.	\$470.00	(100.25)	15104.SHP	15"	104"	43 lbs.	\$470.00
16104.MHP	16"	104"	46 lbs.	\$470.00	(100.25)	16104.SHP	16"	104"	46 lbs.	\$470.00
18104.MHP	18"	104"	51 lbs.	\$494.00	(100.25)	18104.SHP	18"	104"	51 lbs.	\$494.00
20104.MHP	20"	104"	56 lbs.	\$505.00	(100.25)	20104.SHP	20"	104"	56 lbs.	\$505.00
24104.MHP	24"	104"	66 lbs.	\$536.00	(100.25)	24104.SHP	24"	104"	66 lbs.	\$536.00
26104.MHP	26"	104"	71 lbs.	\$610.00	(100.25)	26104.SHP	26"	104"	71 lbs.	\$610.00
30104.MHP	30"	104"	81 lbs.	\$610.00	(100.25)	30104.SHP	30"	104"	81 lbs.	\$610.00
32104.MHP	32"	104"	86 lbs.	\$650.00	(100.25)	32104.SHP	32"	104"	86 lbs.	\$650.00
36104.MHP	36"	104"	95 lbs.	\$650.00	(100.25)	36104.SHP	36"	104"	95 lbs.	\$650.00
40104.MHP	40"	104"	105 lbs.	\$738.00	(100.25)	40104.SHP	40"	104"	105 lbs.	\$738.00
48104.MHP	48"	104"	125 lbs.	\$738.00	(100.25)	48104.SHP	48"	104"	125 lbs.	\$738.00
54104.MHP	54"	104"	140 lbs.	\$831.00	(100.25)	54104.SHP	54"	104"	140 lbs.	\$831.00
60104.MHP	60"	104"	155 lbs.	\$831.00	(100.25)	60104.SHP	60"	104"	155 lbs.	\$831.00

Prices reflect Standard Wilsonart Laminates.

Wilsonart Premium and High Definition Laminates are also available as a custom order. Call Customer Service for a quote.

LOW PROFILE END PANELS

High Pressure Laminate with Composite Edge

Low Profile Mechanical Assist						Low Profile Static				
Part Number	Width	Height	Weight	List Price	Shelving Height	Part Number	Width	Height	Weight	List Price
					(121.25)	09125.SHP	09"	125"	34 lbs.	\$490.00
					(121.25)	10125.SHP	10"	125"	37 lbs.	\$490.00
12125.MHP	12"	125"	43 lbs.	\$538.00	(121.25)	12125.SHP	12"	125"	43 lbs.	\$538.00
13125.MHP	13"	125"	46 lbs.	\$538.00	(121.25)	13125.SHP	13"	125"	46 lbs.	\$538.00
15125.MHP	15"	125"	52 lbs.	\$563.00	(121.25)	15125.SHP	15"	125"	52 lbs.	\$563.00
16125.MHP	16"	125"	55 lbs.	\$563.00	(121.25)	16125.SHP	16"	125"	55 lbs.	\$563.00
18125.MHP	18"	125"	61 lbs.	\$591.00	(121.25)	18125.SHP	18"	125"	61 lbs.	\$591.00
20125.MHP	20"	125"	67 lbs.	\$602.00	(121.25)	20125.SHP	20"	125"	67 lbs.	\$602.00
24125.MHP	24"	125"	79 lbs.	\$639.00	(121.25)	24125.SHP	24"	125"	79 lbs.	\$639.00
26125.MHP	26"	125"	85 lbs.	\$723.00	(121.25)	26125.SHP	26"	125"	85 lbs.	\$723.00
30125.MHP	30"	125"	97 lbs.	\$723.00	(121.25)	30125.SHP	30"	125"	97 lbs.	\$723.00
32125.MHP	32"	125"	103 lbs.	\$771.00	(121.25)	32125.SHP	32"	125"	103 lbs.	\$771.00
36125.MHP	36"	125"	115 lbs.	\$771.00	(121.25)	36125.SHP	36"	125"	115 lbs.	\$771.00
40125.MHP	40"	125"	127 lbs.	\$871.00	(121.25)	40125.SHP	40"	125"	127 lbs.	\$871.00
48125.MHP	48"	125"	151 lbs.	\$871.00	(121.25)	48125.SHP	48"	125"	151 lbs.	\$871.00
54125.MHP	54"	125"	169 lbs.	\$979.00	(121.25)	54125.SHP	54"	125"	169 lbs.	\$979.00
60125.MHP	60"	125"	187 lbs.	\$979.00	(121.25)	60125.SHP	60"	125"	187 lbs.	\$979.00

Prices reflect Standard Wilsonart Laminates.

Wilsonart Premium and High Definition Laminates are also available as a custom order. Call Customer Service for a quote.

LOW PROFILE END PANELS

High Pressure Laminate with Composite Edge and Waist High Lock

Low Profile Mechanical Assist					
Part Number	Width	Height	Weight	List Price	Shelving Height
12068.MHP.FLCK	12"	68"	23 lbs.	\$414.00	(64.25)
13068.MHP.FLCK	13"	68"	25 lbs.	\$414.00	(64.25)
15068.MHP.FLCK	15"	68"	28 lbs.	\$432.00	(64.25)
16068.MHP.FLCK	16"	68"	30 lbs.	\$432.00	(64.25)
18068.MHP.FLCK	18"	68"	33 lbs.	\$449.00	(64.25)
20068.MHP.FLCK	20"	68"	36 lbs.	\$460.00	(64.25)
24068.MHP.FLCK	24"	68"	43 lbs.	\$483.00	(64.25)
26068.MHP.FLCK	26"	68"	46 lbs.	\$559.00	(64.25)
30068.MHP.FLCK	30"	68"	53 lbs.	\$569.00	(64.25)
32068.MHP.FLCK	32"	68"	56 lbs.	\$585.00	(64.25)
36068.MHP.FLCK	36"	68"	62 lbs.	\$585.00	(64.25)
40068.MHP.FLCK	40"	68"	69 lbs.	\$658.00	(64.25)
48068.MHP.FLCK	48"	68"	82 lbs.	\$658.00	(64.25)
54068.MHP.FLCK	54"	68"	92 lbs.	\$742.00	(64.25)
60068.MHP.FLCK	60"	68"	102 lbs.	\$742.00	(64.25)
12080.MHP.FLCK	12"	80"	28 lbs.	\$414.00	(76.25)
13080.MHP.FLCK	13"	80"	29 lbs.	\$414.00	(76.25)
15080.MHP.FLCK	15"	80"	33 lbs.	\$432.00	(76.25)
16080.MHP.FLCK	16"	80"	35 lbs.	\$432.00	(76.25)
18080.MHP.FLCK	18"	80"	39 lbs.	\$449.00	(76.25)
20080.MHP.FLCK	20"	80"	43 lbs.	\$460.00	(76.25)
24080.MHP.FLCK	24"	80"	51 lbs.	\$483.00	(76.25)
26080.MHP.FLCK	26"	80"	54 lbs.	\$559.00	(76.25)
30080.MHP.FLCK	30"	80"	62 lbs.	\$569.00	(76.25)
32080.MHP.FLCK	32"	80"	66 lbs.	\$585.00	(76.25)
36080.MHP.FLCK	36"	80"	73 lbs.	\$585.00	(76.25)
40080.MHP.FLCK	40"	80"	81 lbs.	\$658.00	(76.25)
48080.MHP.FLCK	48"	80"	96 lbs.	\$658.00	(76.25)
54080.MHP.FLCK	54"	80"	108 lbs.	\$742.00	(76.25)
60080.MHP.FLCK	60"	80"	119 lbs.	\$742.00	(76.25)
12089.MHP.FLCK	12"	89"	31 lbs.	\$414.00	(85.25)
13089.MHP.FLCK	13"	89"	33 lbs.	\$414.00	(85.25)
15089.MHP.FLCK	15"	89"	37 lbs.	\$432.00	(85.25)
16089.MHP.FLCK	16"	89"	39 lbs.	\$432.00	(85.25)
18089.MHP.FLCK	18"	89"	43 lbs.	\$449.00	(85.25)
20089.MHP.FLCK	20"	89"	48 lbs.	\$460.00	(85.25)
24089.MHP.FLCK	24"	89"	56 lbs.	\$483.00	(85.25)
26089.MHP.FLCK	26"	89"	60 lbs.	\$559.00	(85.25)
30089.MHP.FLCK	30"	89"	69 lbs.	\$569.00	(85.25)
32089.MHP.FLCK	32"	89"	73 lbs.	\$585.00	(85.25)
36089.MHP.FLCK	36"	89"	82 lbs.	\$585.00	(85.25)
40089.MHP.FLCK	40"	89"	90 lbs.	\$658.00	(85.25)
48089.MHP.FLCK	48"	89"	107 lbs.	\$658.00	(85.25)
54089.MHP.FLCK	54"	89"	120 lbs.	\$742.00	(85.25)
60089.MHP.FLCK	60"	89"	133 lbs.	\$742.00	(85.25)

Prices reflect Standard Wilsonart Laminates.

Wilsonart Premium and High Definition Laminates are also available as a custom order. Call Customer Service for a quote.

LOW PROFILE END PANELS

High Pressure Laminate with Composite Edge and Waist High Lock

Low Profile Mechanical Assist					
Part Number	Width	Height	Weight	List Price	Shelving Height
12092.MHP.FLCK	12"	92"	32 lbs.	\$414.00	(88.25)
13092.MHP.FLCK	13"	92"	34 lbs.	\$414.00	(88.25)
15092.MHP.FLCK	15"	92"	38 lbs.	\$432.00	(88.25)
16092.MHP.FLCK	16"	92"	40 lbs.	\$432.00	(88.25)
18092.MHP.FLCK	18"	92"	45 lbs.	\$449.00	(88.25)
20092.MHP.FLCK	20"	92"	49 lbs.	\$460.00	(88.25)
24092.MHP.FLCK	24"	92"	58 lbs.	\$483.00	(88.25)
26092.MHP.FLCK	26"	92"	62 lbs.	\$559.00	(88.25)
30092.MHP.FLCK	30"	92"	71 lbs.	\$550.00	(88.25)
32092.MHP.FLCK	32"	92"	76 lbs.	\$585.00	(88.25)
36092.MHP.FLCK	36"	92"	84 lbs.	\$585.00	(88.25)
40092.MHP.FLCK	40"	92"	93 lbs.	\$658.00	(88.25)
48092.MHP.FLCK	48"	92"	111 lbs.	\$658.00	(88.25)
54092.MHP.FLCK	54"	92"	124 lbs.	\$742.00	(88.25)
60092.MHP.FLCK	60"	92"	137 lbs.	\$742.00	(88.25)
12101.MHP.FLCK	12"	101"	35 lbs.	\$440.00	(97.25)
13101.MHP.FLCK	13"	101"	37 lbs.	\$440.00	(97.25)
15101.MHP.FLCK	15"	101"	42 lbs.	\$470.00	(97.25)
16101.MHP.FLCK	16"	101"	44 lbs.	\$470.00	(97.25)
18101.MHP.FLCK	18"	101"	49 lbs.	\$494.00	(97.25)
20101.MHP.FLCK	20"	101"	54 lbs.	\$505.00	(97.25)
24101.MHP.FLCK	24"	101"	64 lbs.	\$536.00	(97.25)
26101.MHP.FLCK	26"	101"	69 lbs.	\$610.00	(97.25)
30101.MHP.FLCK	30"	101"	78 lbs.	\$610.00	(97.25)
32101.MHP.FLCK	32"	101"	83 lbs.	\$650.00	(97.25)
36101.MHP.FLCK	36"	101"	93 lbs.	\$650.00	(97.25)
40101.MHP.FLCK	40"	101"	102 lbs.	\$738.00	(97.25)
48101.MHP.FLCK	48"	101"	122 lbs.	\$738.00	(97.25)
54101.MHP.FLCK	54"	101"	136 lbs.	\$831.00	(97.25)
60101.MHP.FLCK	60"	101"	151 lbs.	\$831.00	(97.25)
12104.MHP.FLCK	12"	104"	36 lbs.	\$449.00	(100.25)
13104.MHP.FLCK	13"	104"	38 lbs.	\$449.00	(100.25)
15104.MHP.FLCK	15"	104"	43 lbs.	\$470.00	(100.25)
16104.MHP.FLCK	16"	104"	46 lbs.	\$470.00	(100.25)
18104.MHP.FLCK	18"	104"	51 lbs.	\$494.00	(100.25)
20104.MHP.FLCK	20"	104"	56 lbs.	\$505.00	(100.25)
24104.MHP.FLCK	24"	104"	66 lbs.	\$536.00	(100.25)
26104.MHP.FLCK	26"	104"	71 lbs.	\$610.00	(100.25)
30104.MHP.FLCK	30"	104"	81 lbs.	\$610.00	(100.25)
32104.MHP.FLCK	32"	104"	86 lbs.	\$650.00	(100.25)
36104.MHP.FLCK	36"	104"	95 lbs.	\$650.00	(100.25)
40104.MHP.FLCK	40"	104"	105 lbs.	\$738.00	(100.25)
48104.MHP.FLCK	48"	104"	125 lbs.	\$738.00	(100.25)
54104.MHP.FLCK	54"	104"	140 lbs.	\$831.00	(100.25)
60104.MHP.FLCK	60"	104"	155 lbs.	\$831.00	(100.25)

Prices reflect Standard Wilsonart Laminates.

Wilsonart Premium and High Definition Laminates are also available as a custom order. Call Customer Service for a quote.

LOW PROFILE END PANELS

High Pressure Laminate with Composite Edge and Waist High Lock

Low Profile Mechanical Assist					
Part Number	Width	Height	Weight	List Price	Shelving Height
12125.MHP.FLCK	12"	125"	43 lbs.	\$538.00	(121.25)
13125.MHP.FLCK	13"	125"	46 lbs.	\$538.00	(121.25)
15125.MHP.FLCK	15"	125"	52 lbs.	\$563.00	(121.25)
16125.MHP.FLCK	16"	125"	55 lbs.	\$563.00	(121.25)
18125.MHP.FLCK	18"	125"	61 lbs.	\$591.00	(121.25)
20125.MHP.FLCK	20"	125"	67 lbs.	\$602.00	(121.25)
24125.MHP.FLCK	24"	125"	79 lbs.	\$639.00	(121.25)
26125.MHP.FLCK	26"	125"	85 lbs.	\$723.00	(121.25)
30125.MHP.FLCK	30"	125"	97 lbs.	\$723.00	(121.25)
32125.MHP.FLCK	32"	125"	103 lbs.	\$771.00	(121.25)
36125.MHP.FLCK	36"	125"	115 lbs.	\$771.00	(121.25)
40125.MHP.FLCK	40"	125"	127 lbs.	\$871.00	(121.25)
48125.MHP.FLCK	48"	125"	151 lbs.	\$871.00	(121.25)
54125.MHP.FLCK	54"	125"	169 lbs.	\$979.00	(121.25)
60125.MHP.FLCK	60"	125"	187 lbs.	\$979.00	(121.25)

Prices reflect Standard Wilsonart Laminates.

Wilsonart Premium and High Definition Laminates are also available as a custom order. Call Customer Service for a quote.

LOW PROFILE END PANELS

High Pressure Laminate with Self Edge

Low Profile Mechanical Assist					Low Profile Static					
Part Number	Width	Height	Weight	List Price	Shelving Height	Part Number	Width	Height	Weight	List Price
					(64.25)	09068.SWP	09"	68"	11 lbs.	\$573.00
					(64.25)	10068.SWP	10"	68"	13 lbs.	\$573.00
12068.MWP	12"	68"	15 lbs.	\$573.00	(64.25)	12068.SWP	12"	68"	15 lbs.	\$573.00
13068.MWP	13"	68"	16 lbs.	\$573.00	(64.25)	13068.SWP	13"	68"	16 lbs.	\$573.00
15068.MWP	15"	68"	19 lbs.	\$641.00	(64.25)	15068.SWP	15"	68"	19 lbs.	\$641.00
16068.MWP	16"	68"	20 lbs.	\$641.00	(64.25)	16068.SWP	16"	68"	20 lbs.	\$641.00
18068.MWP	18"	68"	23 lbs.	\$641.00	(64.25)	18068.SWP	18"	68"	23 lbs.	\$641.00
20068.MWP	20"	68"	25 lbs.	\$641.00	(64.25)	20068.SWP	20"	68"	25 lbs.	\$641.00
24068.MWP	24"	68"	30 lbs.	\$652.00	(64.25)	24068.SWP	24"	68"	30 lbs.	\$652.00
26068.MWP	26"	68"	33 lbs.	\$652.00	(64.25)	26068.SWP	26"	68"	33 lbs.	\$652.00
30068.MWP	30"	68"	38 lbs.	\$815.00	(64.25)	30068.SWP	30"	68"	38 lbs.	\$815.00
32068.MWP	32"	68"	40 lbs.	\$815.00	(64.25)	32068.SWP	32"	68"	40 lbs.	\$815.00
36068.MWP	36"	68"	45 lbs.	\$815.00	(64.25)	36068.SWP	36"	68"	45 lbs.	\$815.00
40068.MWP	40"	68"	50 lbs.	\$824.00	(64.25)	40068.SWP	40"	68"	50 lbs.	\$824.00
48068.MWP	48"	68"	60 lbs.	\$919.00	(64.25)	48068.SWP	48"	68"	60 lbs.	\$919.00
54068.MWP	54"	68"	68 lbs.	\$1,448.00	(64.25)	54068.SWP	54"	68"	68 lbs.	\$1,448.00
60068.MWP	60"	68"	75 lbs.	\$1,613.00	(64.25)	60068.SWP	60"	68"	75 lbs.	\$1,613.00
					(76.25)	09080.SWP	09"	80"	13 lbs.	\$573.00
					(76.25)	10080.SWP	10"	80"	15 lbs.	\$573.00
12080.MWP	12"	80"	18 lbs.	\$573.00	(76.25)	12080.SWP	12"	80"	18 lbs.	\$573.00
13080.MWP	13"	80"	19 lbs.	\$573.00	(76.25)	13080.SWP	13"	80"	19 lbs.	\$573.00
15080.MWP	15"	80"	22 lbs.	\$641.00	(76.25)	15080.SWP	15"	80"	22 lbs.	\$641.00
16080.MWP	16"	80"	24 lbs.	\$641.00	(76.25)	16080.SWP	16"	80"	24 lbs.	\$641.00
18080.MWP	18"	80"	26 lbs.	\$641.00	(76.25)	18080.SWP	18"	80"	26 lbs.	\$641.00
20080.MWP	20"	80"	29 lbs.	\$641.00	(76.25)	20080.SWP	20"	80"	29 lbs.	\$641.00
24080.MWP	24"	80"	35 lbs.	\$652.00	(76.25)	24080.SWP	24"	80"	35 lbs.	\$652.00
26080.MWP	26"	80"	38 lbs.	\$652.00	(76.25)	26080.SWP	26"	80"	38 lbs.	\$652.00
30080.MWP	30"	80"	44 lbs.	\$815.00	(76.25)	30080.SWP	30"	80"	44 lbs.	\$815.00
32080.MWP	32"	80"	47 lbs.	\$815.00	(76.25)	32080.SWP	32"	80"	47 lbs.	\$815.00
36080.MWP	36"	80"	53 lbs.	\$815.00	(76.25)	36080.SWP	36"	80"	53 lbs.	\$815.00
40080.MWP	40"	80"	59 lbs.	\$824.00	(76.25)	40080.SWP	40"	80"	59 lbs.	\$824.00
48080.MWP	48"	80"	71 lbs.	\$919.00	(76.25)	48080.SWP	48"	80"	71 lbs.	\$919.00
54080.MWP	54"	80"	79 lbs.	\$1,448.00	(76.25)	54080.SWP	54"	80"	79 lbs.	\$1,448.00
60080.MWP	60"	80"	88 lbs.	\$1,613.00	(76.25)	60080.SWP	60"	80"	88 lbs.	\$1,613.00
					(85.25)	09089.SWP	09"	89"	14 lbs.	\$573.00
					(85.25)	10089.SWP	10"	89"	16 lbs.	\$573.00
12089.MWP	12"	89"	20 lbs.	\$573.00	(85.25)	12089.SWP	12"	89"	20 lbs.	\$573.00
13089.MWP	13"	89"	21 lbs.	\$573.00	(85.25)	13089.SWP	13"	89"	21 lbs.	\$573.00
15089.MWP	15"	89"	25 lbs.	\$641.00	(85.25)	15089.SWP	15"	89"	25 lbs.	\$641.00
16089.MWP	16"	89"	26 lbs.	\$641.00	(85.25)	16089.SWP	16"	89"	26 lbs.	\$641.00
18089.MWP	18"	89"	29 lbs.	\$641.00	(85.25)	18089.SWP	18"	89"	29 lbs.	\$641.00
20089.MWP	20"	89"	33 lbs.	\$641.00	(85.25)	20089.SWP	20"	89"	33 lbs.	\$641.00
24089.MWP	24"	89"	39 lbs.	\$652.00	(85.25)	24089.SWP	24"	89"	39 lbs.	\$652.00
26089.MWP	26"	89"	43 lbs.	\$652.00	(85.25)	26089.SWP	26"	89"	43 lbs.	\$652.00
30089.MWP	30"	89"	49 lbs.	\$815.00	(85.25)	30089.SWP	30"	89"	49 lbs.	\$815.00
32089.MWP	32"	89"	52 lbs.	\$815.00	(85.25)	32089.SWP	32"	89"	52 lbs.	\$815.00
36089.MWP	36"	89"	59 lbs.	\$815.00	(85.25)	36089.SWP	36"	89"	59 lbs.	\$815.00
40089.MWP	40"	89"	65 lbs.	\$824.00	(85.25)	40089.SWP	40"	89"	65 lbs.	\$824.00
48089.MWP	48"	89"	78 lbs.	\$919.00	(85.25)	48089.SWP	48"	89"	78 lbs.	\$919.00
54089.MWP	54"	89"	88 lbs.	\$1,448.00	(85.25)	54089.SWP	54"	89"	88 lbs.	\$1,448.00
60089.MWP	60"	89"	98 lbs.	\$1,613.00	(85.25)	60089.SWP	60"	89"	98 lbs.	\$1,613.00

Prices reflect Standard Wilsonart Laminates.

Wilsonart Premium and High Definition Laminates are also available as a custom order. Call Customer Service for a quote.

LOW PROFILE END PANELS

High Pressure Laminate with Self Edge

Low Profile Mechanical Assist					Low Profile Static					
Part Number	Width	Height	Weight	List Price	Shelving Height	Part Number	Width	Height	Weight	List Price
					(88.25)	09092.SWP	09"	92"	15 lbs.	\$573.00
					(88.25)	10092.SWP	10"	92"	17 lbs.	\$573.00
12092.MWP	12"	92"	20 lbs.	\$573.00	(88.25)	12092.SWP	12"	92"	20 lbs.	\$573.00
13092.MWP	13"	92"	22 lbs.	\$573.00	(88.25)	13092.SWP	13"	92"	22 lbs.	\$573.00
15092.MWP	15"	92"	25 lbs.	\$641.00	(88.25)	15092.SWP	15"	92"	25 lbs.	\$641.00
16092.MWP	16"	92"	27 lbs.	\$641.00	(88.25)	16092.SWP	16"	92"	27 lbs.	\$641.00
18092.MWP	18"	92"	30 lbs.	\$641.00	(88.25)	18092.SWP	18"	92"	30 lbs.	\$641.00
20092.MWP	20"	92"	34 lbs.	\$641.00	(88.25)	20092.SWP	20"	92"	34 lbs.	\$641.00
24092.MWP	24"	92"	41 lbs.	\$652.00	(88.25)	24092.SWP	24"	92"	41 lbs.	\$652.00
26092.MWP	26"	92"	44 lbs.	\$652.00	(88.25)	26092.SWP	26"	92"	44 lbs.	\$652.00
30092.MWP	30"	92"	51 lbs.	\$815.00	(88.25)	30092.SWP	30"	92"	51 lbs.	\$815.00
32092.MWP	32"	92"	54 lbs.	\$815.00	(88.25)	32092.SWP	32"	92"	54 lbs.	\$815.00
36092.MWP	36"	92"	61 lbs.	\$815.00	(88.25)	36092.SWP	36"	92"	61 lbs.	\$815.00
40092.MWP	40"	92"	68 lbs.	\$824.00	(88.25)	40092.SWP	40"	92"	68 lbs.	\$824.00
48092.MWP	48"	92"	81 lbs.	\$919.00	(88.25)	48092.SWP	48"	92"	81 lbs.	\$919.00
54092.MWP	54"	92"	91 lbs.	\$1,448.00	(88.25)	54092.SWP	54"	92"	91 lbs.	\$1,448.00
60092.MWP	60"	92"	101 lbs.	\$1,613.00	(88.25)	60092.SWP	60"	92"	101 lbs.	\$1,613.00
					(97.25)	09101.SWP	09"	101"	17 lbs.	\$612.00
					(97.25)	10101.SWP	10"	101"	19 lbs.	\$612.00
12101.MWP	12"	101"	22 lbs.	\$766.00	(97.25)	12101.SWP	12"	101"	22 lbs.	\$766.00
13101.MWP	13"	101"	24 lbs.	\$766.00	(97.25)	13101.SWP	13"	101"	24 lbs.	\$766.00
15101.MWP	15"	101"	28 lbs.	\$772.00	(97.25)	15101.SWP	15"	101"	28 lbs.	\$772.00
16101.MWP	16"	101"	30 lbs.	\$772.00	(97.25)	16101.SWP	16"	101"	30 lbs.	\$772.00
18101.MWP	18"	101"	33 lbs.	\$772.00	(97.25)	18101.SWP	18"	101"	33 lbs.	\$772.00
20101.MWP	20"	101"	37 lbs.	\$772.00	(97.25)	20101.SWP	20"	101"	37 lbs.	\$772.00
24101.MWP	24"	101"	45 lbs.	\$853.00	(97.25)	24101.SWP	24"	101"	45 lbs.	\$853.00
26101.MWP	26"	101"	48 lbs.	\$853.00	(97.25)	26101.SWP	26"	101"	48 lbs.	\$853.00
30101.MWP	30"	101"	56 lbs.	\$915.00	(97.25)	30101.SWP	30"	101"	56 lbs.	\$915.00
32101.MWP	32"	101"	59 lbs.	\$915.00	(97.25)	32101.SWP	32"	101"	59 lbs.	\$915.00
36101.MWP	36"	101"	67 lbs.	\$915.00	(97.25)	36101.SWP	36"	101"	67 lbs.	\$915.00
40101.MWP	40"	101"	74 lbs.	\$915.00	(97.25)	40101.SWP	40"	101"	74 lbs.	\$915.00
48101.MWP	48"	101"	89 lbs.	\$1,034.00	(97.25)	48101.SWP	48"	101"	89 lbs.	\$1,034.00
54101.MWP	54"	101"	100 lbs.	\$1,734.00	(97.25)	54101.SWP	54"	101"	100 lbs.	\$1,734.00
60101.MWP	60"	101"	111 lbs.	\$1,795.00	(97.25)	60101.SWP	60"	101"	111 lbs.	\$1,795.00
					(100.25)	09104.SWP	09"	104"	17 lbs.	\$612.00
					(100.25)	10104.SWP	10"	104"	19 lbs.	\$612.00
12104.MWP	12"	104"	23 lbs.	\$766.00	(100.25)	12104.SWP	12"	104"	23 lbs.	\$766.00
13104.MWP	13"	104"	25 lbs.	\$766.00	(100.25)	13104.SWP	13"	104"	25 lbs.	\$766.00
15104.MWP	15"	104"	29 lbs.	\$772.00	(100.25)	15104.SWP	15"	104"	29 lbs.	\$772.00
16104.MWP	16"	104"	31 lbs.	\$772.00	(100.25)	16104.SWP	16"	104"	31 lbs.	\$772.00
18104.MWP	18"	104"	34 lbs.	\$772.00	(100.25)	18104.SWP	18"	104"	34 lbs.	\$772.00
20104.MWP	20"	104"	38 lbs.	\$772.00	(100.25)	20104.SWP	20"	104"	38 lbs.	\$772.00
24104.MWP	24"	104"	46 lbs.	\$853.00	(100.25)	24104.SWP	24"	104"	46 lbs.	\$853.00
26104.MWP	26"	104"	50 lbs.	\$853.00	(100.25)	26104.SWP	26"	104"	50 lbs.	\$853.00
30104.MWP	30"	104"	57 lbs.	\$915.00	(100.25)	30104.SWP	30"	104"	57 lbs.	\$915.00
32104.MWP	32"	104"	61 lbs.	\$915.00	(100.25)	32104.SWP	32"	104"	61 lbs.	\$915.00
36104.MWP	36"	104"	69 lbs.	\$915.00	(100.25)	36104.SWP	36"	104"	69 lbs.	\$915.00
40104.MWP	40"	104"	76 lbs.	\$915.00	(100.25)	40104.SWP	40"	104"	76 lbs.	\$915.00
48104.MWP	48"	104"	92 lbs.	\$1,034.00	(100.25)	48104.SWP	48"	104"	92 lbs.	\$1,034.00
54104.MWP	54"	104"	103 lbs.	\$1,734.00	(100.25)	54104.SWP	54"	104"	103 lbs.	\$1,734.00
60104.MWP	60"	104"	115 lbs.	\$1,795.00	(100.25)	60104.SWP	60"	104"	115 lbs.	\$1,795.00

Prices reflect Standard Wilsonart Laminates.

Wilsonart Premium and High Definition Laminates are also available as a custom order. Call Customer Service for a quote.

LOW PROFILE END PANELS

High Pressure Laminate with Self Edge

Low Profile Mechanical Assist						Low Profile Static				
Part Number	Width	Height	Weight	List Price	Shelving Height	Part Number	Width	Height	Weight	List Price
					(121.25)	09125.SWP	09"	125"	21 lbs.	\$697.00
					(121.25)	10125.SWP	10"	125"	23 lbs.	\$697.00
12125.MWP	12"	125"	28 lbs.	\$876.00	(121.25)	12125.SWP	12"	125"	28 lbs.	\$876.00
13125.MWP	13"	125"	30 lbs.	\$876.00	(121.25)	13125.SWP	13"	125"	30 lbs.	\$876.00
15125.MWP	15"	125"	34 lbs.	\$883.00	(121.25)	15125.SWP	15"	125"	34 lbs.	\$883.00
16125.MWP	16"	125"	37 lbs.	\$883.00	(121.25)	16125.SWP	16"	125"	37 lbs.	\$883.00
18125.MWP	18"	125"	41 lbs.	\$883.00	(121.25)	18125.SWP	18"	125"	41 lbs.	\$883.00
20125.MWP	20"	125"	46 lbs.	\$883.00	(121.25)	20125.SWP	20"	125"	46 lbs.	\$883.00
24125.MWP	24"	125"	55 lbs.	\$975.00	(121.25)	24125.SWP	24"	125"	55 lbs.	\$975.00
26125.MWP	26"	125"	60 lbs.	\$975.00	(121.25)	26125.SWP	26"	125"	60 lbs.	\$975.00
30125.MWP	30"	125"	69 lbs.	\$1,047.00	(121.25)	30125.SWP	30"	125"	69 lbs.	\$1,047.00
32125.MWP	32"	125"	73 lbs.	\$1,047.00	(121.25)	32125.SWP	32"	125"	73 lbs.	\$1,047.00
36125.MWP	36"	125"	83 lbs.	\$1,047.00	(121.25)	36125.SWP	36"	125"	83 lbs.	\$1,047.00
40125.MWP	40"	125"	92 lbs.	\$1,047.00	(121.25)	40125.SWP	40"	125"	92 lbs.	\$1,047.00
48125.MWP	48"	125"	110 lbs.	\$1,175.00	(121.25)	48125.SWP	48"	125"	110 lbs.	\$1,183.00
54125.MWP	54"	125"	124 lbs.	\$1,988.00	(121.25)	54125.SWP	54"	125"	124 lbs.	\$1,988.00
60125.MWP	60"	125"	138 lbs.	\$2,059.00	(121.25)	60125.SWP	60"	125"	138 lbs.	\$2,059.00

Prices reflect Standard Wilsonart Laminates.

Wilsonart Premium and High Definition Laminates are also available as a custom order. Call Customer Service for a quote.

LOW PROFILE END PANELS

High Pressure Laminate with Self Edge and Waist High Lock

Low Profile Mechanical Assist					
Part Number	Width	Height	Weight	List Price	Shelving Height
12068.MWP.FLCK	12"	68"	15 lbs.	\$572.00	(64.25)
13068.MWP.FLCK	13"	68"	16 lbs.	\$572.00	(64.25)
15068.MWP.FLCK	15"	68"	19 lbs.	\$641.00	(64.25)
16068.MWP.FLCK	16"	68"	20 lbs.	\$641.00	(64.25)
18068.MWP.FLCK	18"	68"	23 lbs.	\$641.00	(64.25)
20068.MWP.FLCK	20"	68"	25 lbs.	\$641.00	(64.25)
24068.MWP.FLCK	24"	68"	30 lbs.	\$652.00	(64.25)
26068.MWP.FLCK	26"	68"	33 lbs.	\$652.00	(64.25)
30068.MWP.FLCK	30"	68"	38 lbs.	\$815.00	(64.25)
32068.MWP.FLCK	32"	68"	40 lbs.	\$815.00	(64.25)
36068.MWP.FLCK	36"	68"	45 lbs.	\$815.00	(64.25)
40068.MWP.FLCK	40"	68"	50 lbs.	\$824.00	(64.25)
48068.MWP.FLCK	48"	68"	60 lbs.	\$919.00	(64.25)
54068.MWP.FLCK	54"	68"	68 lbs.	\$1,448.00	(64.25)
60068.MWP.FLCK	60"	68"	75 lbs.	\$1,613.00	(64.25)
12080.MWP.FLCK	12"	80"	18 lbs.	\$572.00	(76.25)
13080.MWP.FLCK	13"	80"	19 lbs.	\$572.00	(76.25)
15080.MWP.FLCK	15"	80"	22 lbs.	\$641.00	(76.25)
16080.MWP.FLCK	16"	80"	24 lbs.	\$641.00	(76.25)
18080.MWP.FLCK	18"	80"	26 lbs.	\$641.00	(76.25)
20080.MWP.FLCK	20"	80"	29 lbs.	\$641.00	(76.25)
24080.MWP.FLCK	24"	80"	35 lbs.	\$652.00	(76.25)
26080.MWP.FLCK	26"	80"	38 lbs.	\$652.00	(76.25)
30080.MWP.FLCK	30"	80"	44 lbs.	\$815.00	(76.25)
32080.MWP.FLCK	32"	80"	47 lbs.	\$815.00	(76.25)
36080.MWP.FLCK	36"	80"	53 lbs.	\$815.00	(76.25)
40080.MWP.FLCK	40"	80"	59 lbs.	\$824.00	(76.25)
48080.MWP.FLCK	48"	80"	71 lbs.	\$919.00	(76.25)
54080.MWP.FLCK	54"	80"	79 lbs.	\$1,448.00	(76.25)
60080.MWP.FLCK	60"	80"	88 lbs.	\$1,613.00	(76.25)
12089.MWP.FLCK	12"	89"	20 lbs.	\$572.00	(85.25)
13089.MWP.FLCK	13"	89"	21 lbs.	\$572.00	(85.25)
15089.MWP.FLCK	15"	89"	25 lbs.	\$641.00	(85.25)
16089.MWP.FLCK	16"	89"	26 lbs.	\$641.00	(85.25)
18089.MWP.FLCK	18"	89"	29 lbs.	\$641.00	(85.25)
20089.MWP.FLCK	20"	89"	33 lbs.	\$641.00	(85.25)
24089.MWP.FLCK	24"	89"	39 lbs.	\$652.00	(85.25)
26089.MWP.FLCK	26"	89"	43 lbs.	\$652.00	(85.25)
30089.MWP.FLCK	30"	89"	49 lbs.	\$815.00	(85.25)
32089.MWP.FLCK	32"	89"	52 lbs.	\$815.00	(85.25)
36089.MWP.FLCK	36"	89"	59 lbs.	\$815.00	(85.25)
40089.MWP.FLCK	40"	89"	65 lbs.	\$824.00	(85.25)
48089.MWP.FLCK	48"	89"	78 lbs.	\$919.00	(85.25)
54089.MWP.FLCK	54"	89"	88 lbs.	\$1,448.00	(85.25)
60089.MWP.FLCK	60"	89"	98 lbs.	\$1,613.00	(85.25)

Prices reflect Standard Wilsonart Laminates.

Wilsonart Premium and High Definition Laminates are also available as a custom order. Call Customer Service for a quote.

LOW PROFILE END PANELS

High Pressure Laminate with Self Edge and Waist High Lock

Low Profile Mechanical Assist					
Part Number	Width	Height	Weight	List Price	Shelving Height
12092.MWP.FLCK	12"	92"	20 lbs.	\$572.00	(88.25)
13092.MWP.FLCK	13"	92"	22 lbs.	\$572.00	(88.25)
15092.MWP.FLCK	15"	92"	25 lbs.	\$641.00	(88.25)
16092.MWP.FLCK	16"	92"	27 lbs.	\$641.00	(88.25)
18092.MWP.FLCK	18"	92"	30 lbs.	\$641.00	(88.25)
20092.MWP.FLCK	20"	92"	34 lbs.	\$641.00	(88.25)
24092.MWP.FLCK	24"	92"	41 lbs.	\$652.00	(88.25)
26092.MWP.FLCK	26"	92"	44 lbs.	\$652.00	(88.25)
30092.MWP.FLCK	30"	92"	51 lbs.	\$815.00	(88.25)
32092.MWP.FLCK	32"	92"	54 lbs.	\$815.00	(88.25)
36092.MWP.FLCK	36"	92"	61 lbs.	\$815.00	(88.25)
40092.MWP.FLCK	40"	92"	68 lbs.	\$824.00	(88.25)
48092.MWP.FLCK	48"	92"	81 lbs.	\$919.00	(88.25)
54092.MWP.FLCK	54"	92"	91 lbs.	\$1,448.00	(88.25)
60092.MWP.FLCK	60"	92"	101 lbs.	\$1,613.00	(88.25)
12101.MWP.FLCK	12"	101"	22 lbs.	\$766.00	(97.25)
13101.MWP.FLCK	13"	101"	24 lbs.	\$766.00	(97.25)
15101.MWP.FLCK	15"	101"	28 lbs.	\$772.00	(97.25)
16101.MWP.FLCK	16"	101"	30 lbs.	\$772.00	(97.25)
18101.MWP.FLCK	18"	101"	33 lbs.	\$772.00	(97.25)
20101.MWP.FLCK	20"	101"	37 lbs.	\$772.00	(97.25)
24101.MWP.FLCK	24"	101"	45 lbs.	\$845.00	(97.25)
26101.MWP.FLCK	26"	101"	48 lbs.	\$845.00	(97.25)
30101.MWP.FLCK	30"	101"	56 lbs.	\$907.00	(97.25)
32101.MWP.FLCK	32"	101"	59 lbs.	\$907.00	(97.25)
36101.MWP.FLCK	36"	101"	67 lbs.	\$907.00	(97.25)
40101.MWP.FLCK	40"	101"	74 lbs.	\$915.00	(97.25)
48101.MWP.FLCK	48"	101"	89 lbs.	\$1,034.00	(97.25)
54101.MWP.FLCK	54"	101"	100 lbs.	\$1,734.00	(97.25)
60101.MWP.FLCK	60"	101"	111 lbs.	\$1,795.00	(97.25)
12104.MWP.FLCK	12"	104"	23 lbs.	\$766.00	(100.25)
13104.MWP.FLCK	13"	104"	25 lbs.	\$766.00	(100.25)
15104.MWP.FLCK	15"	104"	29 lbs.	\$772.00	(100.25)
16104.MWP.FLCK	16"	104"	31 lbs.	\$772.00	(100.25)
18104.MWP.FLCK	18"	104"	34 lbs.	\$772.00	(100.25)
20104.MWP.FLCK	20"	104"	38 lbs.	\$772.00	(100.25)
24104.MWP.FLCK	24"	104"	46 lbs.	\$845.00	(100.25)
26104.MWP.FLCK	26"	104"	50 lbs.	\$845.00	(100.25)
30104.MWP.FLCK	30"	104"	57 lbs.	\$907.00	(100.25)
32104.MWP.FLCK	32"	104"	61 lbs.	\$907.00	(100.25)
36104.MWP.FLCK	36"	104"	69 lbs.	\$907.00	(100.25)
40104.MWP.FLCK	40"	104"	76 lbs.	\$915.00	(100.25)
48104.MWP.FLCK	48"	104"	92 lbs.	\$1,034.00	(100.25)
54104.MWP.FLCK	54"	104"	103 lbs.	\$1,734.00	(100.25)
60104.MWP.FLCK	60"	104"	115 lbs.	\$1,795.00	(100.25)

Prices reflect Standard Wilsonart Laminates.

Wilsonart Premium and High Definition Laminates are also available as a custom order. Call Customer Service for a quote.

LOW PROFILE END PANELS

High Pressure Laminate with Self Edge and Waist High Lock

Low Profile Mechanical Assist					
Part Number	Width	Height	Weight	List Price	Shelving Height
12125.MWP.FLCK	12"	125"	28 lbs.	\$876.00	(121.25)
13125.MWP.FLCK	13"	125"	30 lbs.	\$876.00	(121.25)
15125.MWP.FLCK	15"	125"	34 lbs.	\$883.00	(121.25)
16125.MWP.FLCK	16"	125"	37 lbs.	\$883.00	(121.25)
18125.MWP.FLCK	18"	125"	41 lbs.	\$883.00	(121.25)
20125.MWP.FLCK	20"	125"	46 lbs.	\$883.00	(121.25)
24125.MWP.FLCK	24"	125"	55 lbs.	\$975.00	(121.25)
26125.MWP.FLCK	26"	125"	60 lbs.	\$975.00	(121.25)
30125.MWP.FLCK	30"	125"	69 lbs.	\$1,047.00	(121.25)
32125.MWP.FLCK	32"	125"	73 lbs.	\$1,047.00	(121.25)
36125.MWP.FLCK	36"	125"	83 lbs.	\$1,047.00	(121.25)
40125.MWP.FLCK	40"	125"	92 lbs.	\$1,047.00	(121.25)
48125.MWP.FLCK	48"	125"	110 lbs.	\$1,175.00	(121.25)
54125.MWP.FLCK	54"	125"	124 lbs.	\$1,988.00	(121.25)
60125.MWP.FLCK	60"	125"	138 lbs.	\$2,059.00	(121.25)

Prices reflect Standard Wilsonart Laminates.

Wilsonart Premium and High Definition Laminates are also available as a custom order. Call Customer Service for a quote.

POWERED LOW PROFILE END PANELS

Steel

Powered Low Profile for Single Keypad						Powered Low Profile for Dual Keypads				
Part Number	Width	Height	Weight	List Price	Shelving Height	Part Number	Width	Height	Weight	List Price
09069.MS1P	09"	69"	17 lbs.	\$342.00	(64.25)					
10069.MS1P	10"	69"	19 lbs.	\$342.00	(64.25)					
12069.MS1P	12"	69"	22 lbs.	\$342.00	(64.25)	12069.MS2P	12"	69"	22 lbs.	\$342.00
13069.MS1P	13"	69"	23 lbs.	\$358.00	(64.25)	13069.MS2P	13"	69"	23 lbs.	\$358.00
15069.MS1P	15"	69"	26 lbs.	\$358.00	(64.25)	15069.MS2P	15"	69"	26 lbs.	\$358.00
16069.MS1P	16"	69"	27 lbs.	\$373.00	(64.25)	16069.MS2P	16"	69"	27 lbs.	\$373.00
18069.MS1P	18"	69"	29 lbs.	\$373.00	(64.25)	18069.MS2P	18"	69"	29 lbs.	\$373.00
20069.MS1P	20"	69"	32 lbs.	\$388.00	(64.25)	20069.MS2P	20"	69"	32 lbs.	\$388.00
24069.MS1P	24"	69"	37 lbs.	\$403.00	(64.25)	24069.MS2P	24"	69"	37 lbs.	\$403.00
26069.MS1P	26"	69"	39 lbs.	\$419.00	(64.25)	26069.MS2P	26"	69"	39 lbs.	\$419.00
30069.MS1P	30"	69"	44 lbs.	\$419.00	(64.25)	30069.MS2P	30"	69"	44 lbs.	\$419.00
32069.MS1P	32"	69"	47 lbs.	\$432.00	(64.25)	32069.MS2P	32"	69"	47 lbs.	\$432.00
36069.MS1P	36"	69"	52 lbs.	\$432.00	(64.25)	36069.MS2P	36"	69"	52 lbs.	\$432.00
40069.MS1P	40"	69"	57 lbs.	\$432.00	(64.25)	40069.MS2P	40"	69"	57 lbs.	\$432.00
48069.MS1P	48"	69"	66 lbs.	\$449.00	(64.25)	48069.MS2P	48"	69"	66 lbs.	\$449.00
54069.MS1P	54"	69"	74 lbs.	\$628.00	(64.25)	54069.MS2P	54"	69"	74 lbs.	\$628.00
60069.MS1P	60"	69"	81 lbs.	\$807.00	(64.25)	60069.MS2P	60"	69"	81 lbs.	\$807.00
09081.MS1P	09"	81"	20 lbs.	\$342.00	(76.25)					
10081.MS1P	10"	81"	22 lbs.	\$342.00	(76.25)					
12081.MS1P	12"	81"	26 lbs.	\$342.00	(76.25)	12081.MS2P	12"	81"	26 lbs.	\$342.00
13081.MS1P	13"	81"	27 lbs.	\$358.00	(76.25)	13081.MS2P	13"	81"	27 lbs.	\$358.00
15081.MS1P	15"	81"	30 lbs.	\$358.00	(76.25)	15081.MS2P	15"	81"	30 lbs.	\$358.00
16081.MS1P	16"	81"	31 lbs.	\$373.00	(76.25)	16081.MS2P	16"	81"	31 lbs.	\$373.00
18081.MS1P	18"	81"	34 lbs.	\$373.00	(76.25)	18081.MS2P	18"	81"	34 lbs.	\$373.00
20081.MS1P	20"	81"	37 lbs.	\$388.00	(76.25)	20081.MS2P	20"	81"	37 lbs.	\$388.00
24081.MS1P	24"	81"	43 lbs.	\$403.00	(76.25)	24081.MS2P	24"	81"	43 lbs.	\$403.00
26081.MS1P	26"	81"	46 lbs.	\$419.00	(76.25)	26081.MS2P	26"	81"	46 lbs.	\$419.00
30081.MS1P	30"	81"	51 lbs.	\$419.00	(76.25)	30081.MS2P	30"	81"	51 lbs.	\$419.00
32081.MS1P	32"	81"	54 lbs.	\$432.00	(76.25)	32081.MS2P	32"	81"	54 lbs.	\$432.00
36081.MS1P	36"	81"	60 lbs.	\$432.00	(76.25)	36081.MS2P	36"	81"	60 lbs.	\$432.00
40081.MS1P	40"	81"	66 lbs.	\$432.00	(76.25)	40081.MS2P	40"	81"	66 lbs.	\$432.00
48081.MS1P	48"	81"	77 lbs.	\$449.00	(76.25)	48081.MS2P	48"	81"	77 lbs.	\$449.00
54081.MS1P	54"	81"	86 lbs.	\$628.00	(76.25)	54081.MS2P	54"	81"	86 lbs.	\$628.00
60081.MS1P	60"	81"	95 lbs.	\$807.00	(76.25)	60081.MS2P	60"	81"	95 lbs.	\$807.00
09090.MS1P	09"	90"	22 lbs.	\$342.00	(85.25)					
10090.MS1P	10"	90"	24 lbs.	\$342.00	(85.25)					
12090.MS1P	12"	90"	28 lbs.	\$342.00	(85.25)	12090.MS2P	12"	90"	28 lbs.	\$342.00
13090.MS1P	13"	90"	30 lbs.	\$358.00	(85.25)	13090.MS2P	13"	90"	30 lbs.	\$358.00
15090.MS1P	15"	90"	33 lbs.	\$358.00	(85.25)	15090.MS2P	15"	90"	33 lbs.	\$358.00
16090.MS1P	16"	90"	35 lbs.	\$373.00	(85.25)	16090.MS2P	16"	90"	35 lbs.	\$373.00
18090.MS1P	18"	90"	38 lbs.	\$373.00	(85.25)	18090.MS2P	18"	90"	38 lbs.	\$373.00
20090.MS1P	20"	90"	41 lbs.	\$388.00	(85.25)	20090.MS2P	20"	90"	41 lbs.	\$388.00
24090.MS1P	24"	90"	47 lbs.	\$403.00	(85.25)	24090.MS2P	24"	90"	47 lbs.	\$403.00
26090.MS1P	26"	90"	51 lbs.	\$419.00	(85.25)	26090.MS2P	26"	90"	51 lbs.	\$419.00
30090.MS1P	30"	90"	57 lbs.	\$419.00	(85.25)	30090.MS2P	30"	90"	57 lbs.	\$419.00
32090.MS1P	32"	90"	60 lbs.	\$432.00	(85.25)	32090.MS2P	32"	90"	60 lbs.	\$432.00
36090.MS1P	36"	90"	66 lbs.	\$432.00	(85.25)	36090.MS2P	36"	90"	66 lbs.	\$432.00
40090.MS1P	40"	90"	73 lbs.	\$432.00	(85.25)	40090.MS2P	40"	90"	73 lbs.	\$432.00
48090.MS1P	48"	90"	86 lbs.	\$449.00	(85.25)	48090.MS2P	48"	90"	86 lbs.	\$449.00
54090.MS1P	54"	90"	95 lbs.	\$628.00	(85.25)	54090.MS2P	54"	90"	95 lbs.	\$628.00
60090.MS1P	60"	90"	105 lbs.	\$807.00	(85.25)	60090.MS2P	60"	90"	105 lbs.	\$807.00

MH1P Models are drilled with a single hole for Electric Keypad.

MH2P Models are drilled with 2 holes for 2 Electric Keypads.

POWERED LOW PROFILE END PANELS

Steel

Powered Low Profile for Single Keypad						Powered Low Profile for Dual Keypads				
Part Number	Width	Height	Weight	List Price	Shelving Height	Part Number	Width	Height	Weight	List Price
09093.MS1P	09"	93"	22 lbs.	\$342.00	(88.25)					
10093.MS1P	10"	93"	25 lbs.	\$342.00	(88.25)					
12093.MS1P	12"	93"	29 lbs.	\$342.00	(88.25)	12093.MS2P	12"	93"	29 lbs.	\$342.00
13093.MS1P	13"	93"	31 lbs.	\$358.00	(88.25)	13093.MS2P	13"	93"	31 lbs.	\$358.00
15093.MS1P	15"	93"	34 lbs.	\$358.00	(88.25)	15093.MS2P	15"	93"	34 lbs.	\$358.00
16093.MS1P	16"	93"	36 lbs.	\$373.00	(88.25)	16093.MS2P	16"	93"	36 lbs.	\$373.00
18093.MS1P	18"	93"	39 lbs.	\$373.00	(88.25)	18093.MS2P	18"	93"	39 lbs.	\$373.00
20093.MS1P	20"	93"	42 lbs.	\$388.00	(88.25)	20093.MS2P	20"	93"	42 lbs.	\$388.00
24093.MS1P	24"	93"	49 lbs.	\$403.00	(88.25)	24093.MS2P	24"	93"	49 lbs.	\$403.00
26093.MS1P	26"	93"	52 lbs.	\$419.00	(88.25)	26093.MS2P	26"	93"	52 lbs.	\$419.00
30093.MS1P	30"	93"	59 lbs.	\$419.00	(88.25)	30093.MS2P	30"	93"	59 lbs.	\$419.00
32093.MS1P	32"	93"	62 lbs.	\$432.00	(88.25)	32093.MS2P	32"	93"	62 lbs.	\$432.00
36093.MS1P	36"	93"	69 lbs.	\$432.00	(88.25)	36093.MS2P	36"	93"	69 lbs.	\$432.00
40093.MS1P	40"	93"	75 lbs.	\$432.00	(88.25)	40093.MS2P	40"	93"	75 lbs.	\$432.00
48093.MS1P	48"	93"	88 lbs.	\$449.00	(88.25)	48093.MS2P	48"	93"	88 lbs.	\$449.00
54093.MS1P	54"	93"	98 lbs.	\$628.00	(88.25)	54093.MS2P	54"	93"	98 lbs.	\$628.00
60093.MS1P	60"	93"	108 lbs.	\$807.00	(88.25)	60093.MS2P	60"	93"	108 lbs.	\$807.00
09102.MS1P	09"	102"	24 lbs.	\$342.00	(97.25)					
10102.MS1P	10"	102"	27 lbs.	\$342.00	(97.25)					
12102.MS1P	12"	102"	32 lbs.	\$342.00	(97.25)	12102.MS2P	12"	102"	32 lbs.	\$342.00
13102.MS1P	13"	102"	34 lbs.	\$358.00	(97.25)	13102.MS2P	13"	102"	34 lbs.	\$358.00
15102.MS1P	15"	102"	37 lbs.	\$358.00	(97.25)	15102.MS2P	15"	102"	37 lbs.	\$358.00
16102.MS1P	16"	102"	39 lbs.	\$373.00	(97.25)	16102.MS2P	16"	102"	39 lbs.	\$373.00
18102.MS1P	18"	102"	43 lbs.	\$373.00	(97.25)	18102.MS2P	18"	102"	43 lbs.	\$373.00
20102.MS1P	20"	102"	46 lbs.	\$388.00	(97.25)	20102.MS2P	20"	102"	46 lbs.	\$388.00
24102.MS1P	24"	102"	53 lbs.	\$403.00	(97.25)	24102.MS2P	24"	102"	53 lbs.	\$403.00
26102.MS1P	26"	102"	57 lbs.	\$419.00	(97.25)	26102.MS2P	26"	102"	57 lbs.	\$419.00
30102.MS1P	30"	102"	64 lbs.	\$419.00	(97.25)	30102.MS2P	30"	102"	64 lbs.	\$419.00
32102.MS1P	32"	102"	68 lbs.	\$432.00	(97.25)	32102.MS2P	32"	102"	68 lbs.	\$432.00
36102.MS1P	36"	102"	75 lbs.	\$432.00	(97.25)	36102.MS2P	36"	102"	75 lbs.	\$432.00
40102.MS1P	40"	102"	82 lbs.	\$432.00	(97.25)	40102.MS2P	40"	102"	82 lbs.	\$432.00
48102.MS1P	48"	102"	96 lbs.	\$449.00	(97.25)	48102.MS2P	48"	102"	96 lbs.	\$449.00
54102.MS1P	54"	102"	107 lbs.	\$628.00	(97.25)	54102.MS2P	54"	102"	107 lbs.	\$628.00
60102.MS1P	60"	102"	118 lbs.	\$807.00	(97.25)	60102.MS2P	60"	102"	118 lbs.	\$807.00
09105.MS1P	09"	105"	25 lbs.	\$342.00	(100.25)					
10105.MS1P	10"	105"	28 lbs.	\$342.00	(100.25)					
12105.MS1P	12"	105"	33 lbs.	\$342.00	(100.25)	12105.MS2P	12"	105"	33 lbs.	\$342.00
13105.MS1P	13"	105"	35 lbs.	\$358.00	(100.25)	13105.MS2P	13"	105"	35 lbs.	\$358.00
15105.MS1P	15"	105"	38 lbs.	\$358.00	(100.25)	15105.MS2P	15"	105"	38 lbs.	\$358.00
16105.MS1P	16"	105"	40 lbs.	\$373.00	(100.25)	16105.MS2P	16"	105"	40 lbs.	\$373.00
18105.MS1P	18"	105"	44 lbs.	\$373.00	(100.25)	18105.MS2P	18"	105"	44 lbs.	\$373.00
20105.MS1P	20"	105"	48 lbs.	\$388.00	(100.25)	20105.MS2P	20"	105"	48 lbs.	\$388.00
24105.MS1P	24"	105"	55 lbs.	\$403.00	(100.25)	24105.MS2P	24"	105"	55 lbs.	\$403.00
26105.MS1P	26"	105"	59 lbs.	\$419.00	(100.25)	26105.MS2P	26"	105"	59 lbs.	\$419.00
30105.MS1P	30"	105"	66 lbs.	\$419.00	(100.25)	30105.MS2P	30"	105"	66 lbs.	\$419.00
32105.MS1P	32"	105"	70 lbs.	\$432.00	(100.25)	32105.MS2P	32"	105"	70 lbs.	\$432.00
36105.MS1P	36"	105"	77 lbs.	\$432.00	(100.25)	36105.MS2P	36"	105"	77 lbs.	\$432.00
40105.MS1P	40"	105"	84 lbs.	\$432.00	(100.25)	40105.MS2P	40"	105"	84 lbs.	\$432.00
48105.MS1P	48"	105"	99 lbs.	\$449.00	(100.25)	48105.MS2P	48"	105"	99 lbs.	\$449.00
54105.MS1P	54"	105"	110 lbs.	\$628.00	(100.25)	54105.MS2P	54"	105"	110 lbs.	\$628.00
60105.MS1P	60"	105"	121 lbs.	\$807.00	(100.25)	60105.MS2P	60"	105"	121 lbs.	\$807.00

MH1P Models are drilled with a single hole for Electric Keypad.
 MH2P Models are drilled with 2 holes for 2 Electric Keypads.

POWERED LOW PROFILE END PANELS

Steel

Powered Low Profile for Single Keypad						Powered Low Profile for Dual Keypads				
Part Number	Width	Height	Weight	List Price	Shelving Height	Part Number	Width	Height	Weight	List Price
09126.MS1P	09"	126"	30 lbs.	\$417.00	(121.25)					
10126.MS1P	10"	126"	33 lbs.	\$417.00	(121.25)					
12126.MS1P	12"	126"	39 lbs.	\$417.00	(121.25)	12126.MS2P	12"	126"	39 lbs.	\$417.00
13126.MS1P	13"	126"	41 lbs.	\$427.00	(121.25)	13126.MS2P	13"	126"	41 lbs.	\$427.00
15126.MS1P	15"	126"	46 lbs.	\$427.00	(121.25)	15126.MS2P	15"	126"	46 lbs.	\$427.00
16126.MS1P	16"	126"	48 lbs.	\$449.00	(121.25)	16126.MS2P	16"	126"	48 lbs.	\$449.00
18126.MS1P	18"	126"	52 lbs.	\$449.00	(121.25)	18126.MS2P	18"	126"	52 lbs.	\$449.00
20126.MS1P	20"	126"	57 lbs.	\$470.00	(121.25)	20126.MS2P	20"	126"	57 lbs.	\$470.00
24126.MS1P	24"	126"	65 lbs.	\$491.00	(121.25)	24126.MS2P	24"	126"	65 lbs.	\$491.00
26126.MS1P	26"	126"	70 lbs.	\$533.00	(121.25)	26126.MS2P	26"	126"	70 lbs.	\$533.00
30126.MS1P	30"	126"	79 lbs.	\$533.00	(121.25)	30126.MS2P	30"	126"	79 lbs.	\$533.00
32126.MS1P	32"	126"	83 lbs.	\$543.00	(121.25)	32126.MS2P	32"	126"	83 lbs.	\$543.00
36126.MS1P	36"	126"	92 lbs.	\$543.00	(121.25)	36126.MS2P	36"	126"	92 lbs.	\$543.00
40126.MS1P	40"	126"	101 lbs.	\$543.00	(121.25)	40126.MS2P	40"	126"	101 lbs.	\$543.00
48126.MS1P	48"	126"	118 lbs.	\$591.00	(121.25)	48126.MS2P	48"	126"	118 lbs.	\$591.00
54126.MS1P	54"	126"	131 lbs.	\$766.00	(121.25)	54126.MS2P	54"	126"	131 lbs.	\$766.00
60126.MS1P	60"	126"	145 lbs.	\$987.00	(121.25)	60126.MS2P	60"	126"	145 lbs.	\$987.00

MH1P Models are drilled with a single hole for Electric Keypad.

MH2P Models are drilled with 2 holes for 2 Electric Keypads.

POWERED LOW PROFILE END PANELS

Steel

Powered Low Profile Static					
Part Number	Width	Height	Weight	List Price	Shelving Height
09069.SSEP	09"	69"	17 lbs.	\$342.00	(64.25)
10069.SSEP	10"	69"	19 lbs.	\$342.00	(64.25)
12069.SSEP	12"	69"	22 lbs.	\$342.00	(64.25)
13069.SSEP	13"	69"	23 lbs.	\$358.00	(64.25)
15069.SSEP	15"	69"	26 lbs.	\$358.00	(64.25)
16069.SSEP	16"	69"	27 lbs.	\$373.00	(64.25)
18069.SSEP	18"	69"	29 lbs.	\$373.00	(64.25)
20069.SSEP	20"	69"	32 lbs.	\$388.00	(64.25)
24069.SSEP	24"	69"	37 lbs.	\$403.00	(64.25)
26069.SSEP	26"	69"	39 lbs.	\$419.00	(64.25)
30069.SSEP	30"	69"	44 lbs.	\$419.00	(64.25)
32069.SSEP	32"	69"	47 lbs.	\$432.00	(64.25)
36069.SSEP	36"	69"	52 lbs.	\$432.00	(64.25)
40069.SSEP	40"	69"	57 lbs.	\$432.00	(64.25)
48069.SSEP	48"	69"	66 lbs.	\$449.00	(64.25)
54069.SSEP	54"	69"	74 lbs.	\$628.00	(64.25)
60069.SSEP	60"	69"	81 lbs.	\$807.00	(64.25)
09081.SSEP	09"	81"	20 lbs.	\$342.00	(76.25)
10081.SSEP	10"	81"	22 lbs.	\$342.00	(76.25)
12081.SSEP	12"	81"	26 lbs.	\$342.00	(76.25)
13081.SSEP	13"	81"	27 lbs.	\$358.00	(76.25)
15081.SSEP	15"	81"	30 lbs.	\$358.00	(76.25)
16081.SSEP	16"	81"	31 lbs.	\$373.00	(76.25)
18081.SSEP	18"	81"	34 lbs.	\$373.00	(76.25)
20081.SSEP	20"	81"	37 lbs.	\$388.00	(76.25)
24081.SSEP	24"	81"	43 lbs.	\$403.00	(76.25)
26081.SSEP	26"	81"	46 lbs.	\$419.00	(76.25)
30081.SSEP	30"	81"	51 lbs.	\$419.00	(76.25)
32081.SSEP	32"	81"	54 lbs.	\$432.00	(76.25)
36081.SSEP	36"	81"	60 lbs.	\$432.00	(76.25)
40081.SSEP	40"	81"	66 lbs.	\$432.00	(76.25)
48081.SSEP	48"	81"	77 lbs.	\$449.00	(76.25)
54081.SSEP	54"	81"	86 lbs.	\$628.00	(76.25)
60081.SSEP	60"	81"	95 lbs.	\$807.00	(76.25)
09090.SSEP	09"	90"	22 lbs.	\$342.00	(85.25)
10090.SSEP	10"	90"	24 lbs.	\$342.00	(85.25)
12090.SSEP	12"	90"	28 lbs.	\$342.00	(85.25)
13090.SSEP	13"	90"	30 lbs.	\$351.00	(85.25)
15090.SSEP	15"	90"	33 lbs.	\$358.00	(85.25)
16090.SSEP	16"	90"	35 lbs.	\$373.00	(85.25)
18090.SSEP	18"	90"	38 lbs.	\$373.00	(85.25)
20090.SSEP	20"	90"	41 lbs.	\$388.00	(85.25)
24090.SSEP	24"	90"	47 lbs.	\$403.00	(85.25)
26090.SSEP	26"	90"	51 lbs.	\$419.00	(85.25)
30090.SSEP	30"	90"	57 lbs.	\$419.00	(85.25)
32090.SSEP	32"	90"	60 lbs.	\$432.00	(85.25)
36090.SSEP	36"	90"	66 lbs.	\$432.00	(85.25)
40090.SSEP	40"	90"	73 lbs.	\$432.00	(85.25)
48090.SSEP	48"	90"	86 lbs.	\$449.00	(85.25)
54090.SSEP	54"	90"	95 lbs.	\$628.00	(85.25)
60090.SSEP	60"	90"	105 lbs.	\$807.00	(85.25)

POWERED LOW PROFILE END PANELS

Steel

Powered Low Profile Static					
Part Number	Width	Height	Weight	List Price	Shelving Height
09093.SSEP	09"	93"	22 lbs.	\$342.00	(88.25)
10093.SSEP	10"	93"	25 lbs.	\$342.00	(88.25)
12093.SSEP	12"	93"	29 lbs.	\$342.00	(88.25)
13093.SSEP	13"	93"	31 lbs.	\$358.00	(88.25)
15093.SSEP	15"	93"	34 lbs.	\$358.00	(88.25)
16093.SSEP	16"	93"	36 lbs.	\$373.00	(88.25)
18093.SSEP	18"	93"	39 lbs.	\$373.00	(88.25)
20093.SSEP	20"	93"	42 lbs.	\$388.00	(88.25)
24093.SSEP	24"	93"	49 lbs.	\$403.00	(88.25)
26093.SSEP	26"	93"	52 lbs.	\$419.00	(88.25)
30093.SSEP	30"	93"	59 lbs.	\$419.00	(88.25)
32093.SSEP	32"	93"	62 lbs.	\$432.00	(88.25)
36093.SSEP	36"	93"	69 lbs.	\$432.00	(88.25)
40093.SSEP	40"	93"	75 lbs.	\$432.00	(88.25)
48093.SSEP	48"	93"	88 lbs.	\$449.00	(88.25)
54093.SSEP	54"	93"	98 lbs.	\$628.00	(88.25)
60093.SSEP	60"	93"	108 lbs.	\$807.00	(88.25)
09102.SSEP	09"	102"	24 lbs.	\$342.00	(97.25)
10102.SSEP	10"	102"	27 lbs.	\$342.00	(97.25)
12102.SSEP	12"	102"	32 lbs.	\$342.00	(97.25)
13102.SSEP	13"	102"	34 lbs.	\$358.00	(97.25)
15102.SSEP	15"	102"	37 lbs.	\$358.00	(97.25)
16102.SSEP	16"	102"	39 lbs.	\$373.00	(97.25)
18102.SSEP	18"	102"	43 lbs.	\$373.00	(97.25)
20102.SSEP	20"	102"	46 lbs.	\$388.00	(97.25)
24102.SSEP	24"	102"	53 lbs.	\$403.00	(97.25)
26102.SSEP	26"	102"	57 lbs.	\$419.00	(97.25)
30102.SSEP	30"	102"	64 lbs.	\$419.00	(97.25)
32102.SSEP	32"	102"	68 lbs.	\$432.00	(97.25)
36102.SSEP	36"	102"	75 lbs.	\$432.00	(97.25)
40102.SSEP	40"	102"	82 lbs.	\$432.00	(97.25)
48102.SSEP	48"	102"	96 lbs.	\$449.00	(97.25)
54102.SSEP	54"	102"	107 lbs.	\$628.00	(97.25)
60102.SSEP	60"	102"	118 lbs.	\$807.00	(97.25)
09105.SSEP	09"	105"	25 lbs.	\$342.00	(100.25)
10105.SSEP	10"	105"	28 lbs.	\$342.00	(100.25)
12105.SSEP	12"	105"	33 lbs.	\$342.00	(100.25)
13105.SSEP	13"	105"	35 lbs.	\$358.00	(100.25)
15105.SSEP	15"	105"	38 lbs.	\$358.00	(100.25)
16105.SSEP	16"	105"	40 lbs.	\$373.00	(100.25)
18105.SSEP	18"	105"	44 lbs.	\$373.00	(100.25)
20105.SSEP	20"	105"	48 lbs.	\$388.00	(100.25)
24105.SSEP	24"	105"	55 lbs.	\$403.00	(100.25)
26105.SSEP	26"	105"	59 lbs.	\$419.00	(100.25)
30105.SSEP	30"	105"	66 lbs.	\$419.00	(100.25)
32105.SSEP	32"	105"	70 lbs.	\$432.00	(100.25)
36105.SSEP	36"	105"	77 lbs.	\$432.00	(100.25)
40105.SSEP	40"	105"	84 lbs.	\$432.00	(100.25)
48105.SSEP	48"	105"	99 lbs.	\$449.00	(100.25)
54105.SSEP	54"	105"	110 lbs.	\$628.00	(100.25)
60105.SSEP	60"	105"	121 lbs.	\$807.00	(100.25)

POWERED LOW PROFILE END PANELS

Steel

Powered Low Profile Static					
Part Number	Width	Height	Weight	List Price	Shelving Height
09126.SSEP	09"	126"	30 lbs.	\$417.00	(121.25)
10126.SSEP	10"	126"	33 lbs.	\$417.00	(121.25)
12126.SSEP	12"	126"	40 lbs.	\$417.00	(121.25)
13126.SSEP	13"	126"	41 lbs.	\$436.00	(121.25)
15126.SSEP	15"	126"	46 lbs.	\$436.00	(121.25)
16126.SSEP	16"	126"	48 lbs.	\$454.00	(121.25)
18126.SSEP	18"	126"	52 lbs.	\$454.00	(121.25)
20126.SSEP	20"	126"	57 lbs.	\$473.00	(121.25)
24126.SSEP	24"	126"	65 lbs.	\$490.00	(121.25)
26126.SSEP	26"	126"	70 lbs.	\$511.00	(121.25)
30126.SSEP	30"	126"	79 lbs.	\$511.00	(121.25)
32126.SSEP	32"	126"	83 lbs.	\$526.00	(121.25)
36126.SSEP	36"	126"	92 lbs.	\$526.00	(121.25)
40126.SSEP	40"	126"	101 lbs.	\$526.00	(121.25)
48126.SSEP	48"	126"	118 lbs.	\$546.00	(121.25)
54126.SSEP	54"	126"	131 lbs.	\$766.00	(121.25)
60126.SSEP	60"	126"	145 lbs.	\$987.00	(121.25)

POWERED LOW PROFILE END PANELS

Low Pressure Laminate with Composite Edge

Powered Low Profile for Single Keypad						Powered Low Profile for Dual Keypads				
Part Number	Width	Height	Weight	List Price	Shelving Height	Part Number	Width	Height	Weight	List Price
09069.ML1P	09"	69"	18 lbs.	\$382.00	(64.25)					
10069.ML1P	10"	69"	20 lbs.	\$382.00	(64.25)					
12069.ML1P	12"	69"	24 lbs.	\$382.00	(64.25)	12069.ML2P	12"	69"	24 lbs.	\$382.00
13069.ML1P	13"	69"	25 lbs.	\$382.00	(64.25)	13069.ML2P	13"	69"	25 lbs.	\$382.00
15069.ML1P	15"	69"	29 lbs.	\$427.00	(64.25)	15069.ML2P	15"	69"	29 lbs.	\$427.00
16069.ML1P	16"	69"	30 lbs.	\$427.00	(64.25)	16069.ML2P	16"	69"	30 lbs.	\$427.00
18069.ML1P	18"	69"	34 lbs.	\$442.00	(64.25)	18069.ML2P	18"	69"	34 lbs.	\$442.00
20069.ML1P	20"	69"	37 lbs.	\$454.00	(64.25)	20069.ML2P	20"	69"	37 lbs.	\$454.00
24069.ML1P	24"	69"	44 lbs.	\$476.00	(64.25)	24069.ML2P	24"	69"	44 lbs.	\$476.00
26069.ML1P	26"	69"	47 lbs.	\$566.00	(64.25)	26069.ML2P	26"	69"	47 lbs.	\$566.00
30069.ML1P	30"	69"	53 lbs.	\$566.00	(64.25)	30069.ML2P	30"	69"	53 lbs.	\$566.00
32069.ML1P	32"	69"	57 lbs.	\$596.00	(64.25)	32069.ML2P	32"	69"	57 lbs.	\$596.00
36069.ML1P	36"	69"	63 lbs.	\$596.00	(64.25)	36069.ML2P	36"	69"	63 lbs.	\$596.00
40069.ML1P	40"	69"	70 lbs.	\$672.00	(64.25)	40069.ML2P	40"	69"	70 lbs.	\$672.00
48069.ML1P	48"	69"	83 lbs.	\$672.00	(64.25)	48069.ML2P	48"	69"	83 lbs.	\$672.00
54069.ML1P	54"	69"	93 lbs.	\$756.00	(64.25)	54069.ML2P	54"	69"	93 lbs.	\$756.00
60069.ML1P	60"	69"	103 lbs.	\$756.00	(64.25)	60069.ML2P	60"	69"	103 lbs.	\$756.00
09081.ML1P	09"	81"	21 lbs.	\$382.00	(76.25)					
10081.ML1P	10"	81"	24 lbs.	\$382.00	(76.25)					
12081.ML1P	12"	81"	28 lbs.	\$382.00	(76.25)	12081.ML2P	12"	81"	28 lbs.	\$382.00
13081.ML1P	13"	81"	30 lbs.	\$382.00	(76.25)	13081.ML2P	13"	81"	30 lbs.	\$382.00
15081.ML1P	15"	81"	34 lbs.	\$427.00	(76.25)	15081.ML2P	15"	81"	34 lbs.	\$427.00
16081.ML1P	16"	81"	36 lbs.	\$427.00	(76.25)	16081.ML2P	16"	81"	36 lbs.	\$427.00
18081.ML1P	18"	81"	39 lbs.	\$442.00	(76.25)	18081.ML2P	18"	81"	39 lbs.	\$442.00
20081.ML1P	20"	81"	43 lbs.	\$454.00	(76.25)	20081.ML2P	20"	81"	43 lbs.	\$454.00
24081.ML1P	24"	81"	51 lbs.	\$476.00	(76.25)	24081.ML2P	24"	81"	51 lbs.	\$476.00
26081.ML1P	26"	81"	55 lbs.	\$566.00	(76.25)	26081.ML2P	26"	81"	55 lbs.	\$566.00
30081.ML1P	30"	81"	63 lbs.	\$566.00	(76.25)	30081.ML2P	30"	81"	63 lbs.	\$566.00
32081.ML1P	32"	81"	67 lbs.	\$596.00	(76.25)	32081.ML2P	32"	81"	67 lbs.	\$596.00
36081.ML1P	36"	81"	74 lbs.	\$596.00	(76.25)	36081.ML2P	36"	81"	74 lbs.	\$596.00
40081.ML1P	40"	81"	82 lbs.	\$672.00	(76.25)	40081.ML2P	40"	81"	82 lbs.	\$672.00
48081.ML1P	48"	81"	98 lbs.	\$672.00	(76.25)	48081.ML2P	48"	81"	98 lbs.	\$672.00
54081.ML1P	54"	81"	109 lbs.	\$756.00	(76.25)	54081.ML2P	54"	81"	109 lbs.	\$756.00
60081.ML1P	60"	81"	121 lbs.	\$756.00	(76.25)	60081.ML2P	60"	81"	121 lbs.	\$756.00
09090.ML1P	09"	90"	24 lbs.	\$382.00	(85.25)					
10090.ML1P	10"	90"	26 lbs.	\$382.00	(85.25)					
12090.ML1P	12"	90"	31 lbs.	\$382.00	(85.25)	12090.ML2P	12"	90"	31 lbs.	\$382.00
13090.ML1P	13"	90"	33 lbs.	\$382.00	(85.25)	13090.ML2P	13"	90"	33 lbs.	\$382.00
15090.ML1P	15"	90"	37 lbs.	\$427.00	(85.25)	15090.ML2P	15"	90"	37 lbs.	\$427.00
16090.ML1P	16"	90"	40 lbs.	\$427.00	(85.25)	16090.ML2P	16"	90"	40 lbs.	\$427.00
18090.ML1P	18"	90"	44 lbs.	\$442.00	(85.25)	18090.ML2P	18"	90"	44 lbs.	\$442.00
20090.ML1P	20"	90"	48 lbs.	\$454.00	(85.25)	20090.ML2P	20"	90"	48 lbs.	\$454.00
24090.ML1P	24"	90"	57 lbs.	\$476.00	(85.25)	24090.ML2P	24"	90"	57 lbs.	\$476.00
26090.ML1P	26"	90"	61 lbs.	\$566.00	(85.25)	26090.ML2P	26"	90"	61 lbs.	\$566.00
30090.ML1P	30"	90"	70 lbs.	\$566.00	(85.25)	30090.ML2P	30"	90"	70 lbs.	\$566.00
32090.ML1P	32"	90"	74 lbs.	\$596.00	(85.25)	32090.ML2P	32"	90"	74 lbs.	\$596.00
36090.ML1P	36"	90"	83 lbs.	\$596.00	(85.25)	36090.ML2P	36"	90"	83 lbs.	\$596.00
40090.ML1P	40"	90"	91 lbs.	\$672.00	(85.25)	40090.ML2P	40"	90"	91 lbs.	\$672.00
48090.ML1P	48"	90"	109 lbs.	\$672.00	(85.25)	48090.ML2P	48"	90"	109 lbs.	\$672.00
54090.ML1P	54"	90"	121 lbs.	\$756.00	(85.25)	54090.ML2P	54"	90"	121 lbs.	\$756.00
60090.ML1P	60"	90"	134 lbs.	\$756.00	(85.25)	60090.ML2P	60"	90"	134 lbs.	\$756.00

ML1P Models are drilled with a single hole for Electric Keypad.

ML2P Models are drilled with 2 holes for 2 Electric Keypads.

Low Pressure Laminate Options Include: Antique White, Black, Fog Gray, Manitoba Maple.

POWERED LOW PROFILE END PANELS

Low Pressure Laminate with Composite Edge

Powered Low Profile for Single Keypad						Powered Low Profile for Dual Keypads				
Part Number	Width	Height	Weight	List Price	Shelving Height	Part Number	Width	Height	Weight	List Price
09093.ML1P	09"	93"	24 lbs.	\$382.00	(88.25)					
10093.ML1P	10"	93"	27 lbs.	\$382.00	(88.25)					
12093.ML1P	12"	93"	32 lbs.	\$382.00	(88.25)	12093.ML2P	12"	93"	32 lbs.	\$382.00
13093.ML1P	13"	93"	34 lbs.	\$382.00	(88.25)	13093.ML2P	13"	93"	34 lbs.	\$382.00
15093.ML1P	15"	93"	39 lbs.	\$427.00	(88.25)	15093.ML2P	15"	93"	39 lbs.	\$427.00
16093.ML1P	16"	93"	41 lbs.	\$427.00	(88.25)	16093.ML2P	16"	93"	41 lbs.	\$427.00
18093.ML1P	18"	93"	45 lbs.	\$442.00	(88.25)	18093.ML2P	18"	93"	45 lbs.	\$442.00
20093.ML1P	20"	93"	50 lbs.	\$454.00	(88.25)	20093.ML2P	20"	93"	50 lbs.	\$454.00
24093.ML1P	24"	93"	59 lbs.	\$476.00	(88.25)	24093.ML2P	24"	93"	59 lbs.	\$476.00
26093.ML1P	26"	93"	63 lbs.	\$566.00	(88.25)	26093.ML2P	26"	93"	63 lbs.	\$566.00
30093.ML1P	30"	93"	72 lbs.	\$566.00	(88.25)	30093.ML2P	30"	93"	72 lbs.	\$566.00
32093.ML1P	32"	93"	77 lbs.	\$596.00	(88.25)	32093.ML2P	32"	93"	77 lbs.	\$596.00
36093.ML1P	36"	93"	85 lbs.	\$596.00	(88.25)	36093.ML2P	36"	93"	85 lbs.	\$596.00
40093.ML1P	40"	93"	94 lbs.	\$672.00	(88.25)	40093.ML2P	40"	93"	94 lbs.	\$672.00
48093.ML1P	48"	93"	112 lbs.	\$672.00	(88.25)	48093.ML2P	48"	93"	112 lbs.	\$672.00
54093.ML1P	54"	93"	125 lbs.	\$756.00	(88.25)	54093.ML2P	54"	93"	125 lbs.	\$756.00
60093.ML1P	60"	93"	139 lbs.	\$756.00	(88.25)	60093.ML2P	60"	93"	139 lbs.	\$756.00
09102.ML1P	09"	102"	27 lbs.	\$407.00	(97.25)					
10102.ML1P	10"	102"	30 lbs.	\$407.00	(97.25)					
12102.ML1P	12"	102"	35 lbs.	\$407.00	(97.25)	12102.ML2P	12"	102"	35 lbs.	\$407.00
13102.ML1P	13"	102"	38 lbs.	\$407.00	(97.25)	13102.ML2P	13"	102"	38 lbs.	\$407.00
15102.ML1P	15"	102"	42 lbs.	\$456.00	(97.25)	15102.ML2P	15"	102"	42 lbs.	\$456.00
16102.ML1P	16"	102"	45 lbs.	\$456.00	(97.25)	16102.ML2P	16"	102"	45 lbs.	\$456.00
18102.ML1P	18"	102"	50 lbs.	\$478.00	(97.25)	18102.ML2P	18"	102"	50 lbs.	\$478.00
20102.ML1P	20"	102"	55 lbs.	\$490.00	(97.25)	20102.ML2P	20"	102"	55 lbs.	\$490.00
24102.ML1P	24"	102"	64 lbs.	\$519.00	(97.25)	24102.ML2P	24"	102"	64 lbs.	\$519.00
26102.ML1P	26"	102"	69 lbs.	\$618.00	(97.25)	26102.ML2P	26"	102"	69 lbs.	\$618.00
30102.ML1P	30"	102"	79 lbs.	\$618.00	(97.25)	30102.ML2P	30"	102"	79 lbs.	\$618.00
32102.ML1P	32"	102"	84 lbs.	\$654.00	(97.25)	32102.ML2P	32"	102"	84 lbs.	\$654.00
36102.ML1P	36"	102"	94 lbs.	\$654.00	(97.25)	36102.ML2P	36"	102"	94 lbs.	\$654.00
40102.ML1P	40"	102"	103 lbs.	\$751.00	(97.25)	40102.ML2P	40"	102"	103 lbs.	\$751.00
48102.ML1P	48"	102"	123 lbs.	\$751.00	(97.25)	48102.ML2P	48"	102"	123 lbs.	\$751.00
54102.ML1P	54"	102"	138 lbs.	\$847.00	(97.25)	54102.ML2P	54"	102"	138 lbs.	\$847.00
60102.ML1P	60"	102"	152 lbs.	\$847.00	(97.25)	60102.ML2P	60"	102"	152 lbs.	\$847.00
09105.ML1P	09"	105"	27 lbs.	\$407.00	(100.25)					
10105.ML1P	10"	105"	30 lbs.	\$407.00	(100.25)					
12105.ML1P	12"	105"	36 lbs.	\$407.00	(100.25)	12105.ML2P	12"	105"	36 lbs.	\$407.00
13105.ML1P	13"	105"	39 lbs.	\$407.00	(100.25)	13105.ML2P	13"	105"	39 lbs.	\$407.00
15105.ML1P	15"	105"	44 lbs.	\$456.00	(100.25)	15105.ML2P	15"	105"	44 lbs.	\$456.00
16105.ML1P	16"	105"	46 lbs.	\$456.00	(100.25)	16105.ML2P	16"	105"	46 lbs.	\$456.00
18105.ML1P	18"	105"	51 lbs.	\$478.00	(100.25)	18105.ML2P	18"	105"	51 lbs.	\$478.00
20105.ML1P	20"	105"	56 lbs.	\$490.00	(100.25)	20105.ML2P	20"	105"	56 lbs.	\$490.00
24105.ML1P	24"	105"	66 lbs.	\$519.00	(100.25)	24105.ML2P	24"	105"	66 lbs.	\$519.00
26105.ML1P	26"	105"	71 lbs.	\$618.00	(100.25)	26105.ML2P	26"	105"	71 lbs.	\$618.00
30105.ML1P	30"	105"	81 lbs.	\$618.00	(100.25)	30105.ML2P	30"	105"	81 lbs.	\$618.00
32105.ML1P	32"	105"	86 lbs.	\$654.00	(100.25)	32105.ML2P	32"	105"	86 lbs.	\$654.00
36105.ML1P	36"	105"	96 lbs.	\$654.00	(100.25)	36105.ML2P	36"	105"	96 lbs.	\$654.00
40105.ML1P	40"	105"	106 lbs.	\$750.00	(100.25)	40105.ML2P	40"	105"	106 lbs.	\$750.00
48105.ML1P	48"	105"	127 lbs.	\$750.00	(100.25)	48105.ML2P	48"	105"	127 lbs.	\$750.00
54105.ML1P	54"	105"	142 lbs.	\$847.00	(100.25)	54105.ML2P	54"	105"	142 lbs.	\$847.00
60105.ML1P	60"	105"	157 lbs.	\$847.00	(100.25)	60105.ML2P	60"	105"	157 lbs.	\$847.00

ML1P Models are drilled with a single hole for Electric Keypad.

ML2P Models are drilled with 2 holes for 2 Electric Keypads.

Low Pressure Laminate Options Include: Antique White, Black, Fog Gray, Manitoba Maple.

POWERED LOW PROFILE END PANELS

Low Pressure Laminate with Composite Edge

Powered Low Profile for Single Keypad						Powered Low Profile for Dual Keypads				
Part Number	Width	Height	Weight	List Price	Shelving Height	Part Number	Width	Height	Weight	List Price
09126.ML1P	09"	126"	32 lbs.	\$490.00	(121.25)					
10126.ML1P	10"	126"	36 lbs.	\$490.00	(121.25)					
12126.ML1P	12"	126"	43 lbs.	\$490.00	(121.25)	12126.ML2P	12"	126"	43 lbs.	\$490.00
13126.ML1P	13"	126"	46 lbs.	\$490.00	(121.25)	13126.ML2P	13"	126"	46 lbs.	\$490.00
15126.ML1P	15"	126"	52 lbs.	\$546.00	(121.25)	15126.ML2P	15"	126"	52 lbs.	\$546.00
16126.ML1P	16"	126"	55 lbs.	\$546.00	(121.25)	16126.ML2P	16"	126"	55 lbs.	\$546.00
18126.ML1P	18"	126"	61 lbs.	\$572.00	(121.25)	18126.ML2P	18"	126"	61 lbs.	\$572.00
20126.ML1P	20"	126"	67 lbs.	\$585.00	(121.25)	20126.ML2P	20"	126"	67 lbs.	\$585.00
24126.ML1P	24"	126"	79 lbs.	\$619.00	(121.25)	24126.ML2P	24"	126"	79 lbs.	\$619.00
26126.ML1P	26"	126"	86 lbs.	\$733.00	(121.25)	26126.ML2P	26"	126"	86 lbs.	\$733.00
30126.ML1P	30"	126"	98 lbs.	\$733.00	(121.25)	30126.ML2P	30"	126"	98 lbs.	\$733.00
32126.ML1P	32"	126"	104 lbs.	\$775.00	(121.25)	32126.ML2P	32"	126"	104 lbs.	\$775.00
36126.ML1P	36"	126"	116 lbs.	\$775.00	(121.25)	36126.ML2P	36"	126"	116 lbs.	\$775.00
40126.ML1P	40"	126"	128 lbs.	\$886.00	(121.25)	40126.ML2P	40"	126"	128 lbs.	\$886.00
48126.ML1P	48"	126"	152 lbs.	\$886.00	(121.25)	48126.ML2P	48"	126"	152 lbs.	\$886.00
54126.ML1P	54"	126"	170 lbs.	\$996.00	(121.25)	54126.ML2P	54"	126"	170 lbs.	\$996.00
60126.ML1P	60"	126"	188 lbs.	\$996.00	(121.25)	60126.ML2P	60"	126"	188 lbs.	\$996.00

ML1P Models are drilled with a single hole for Electric Keypad.

ML2P Models are drilled with 2 holes for 2 Electric Keypads.

Low Pressure Laminate Options Include: Antique White, Black, Fog Gray, Manitoba Maple.

POWERED LOW PROFILE END PANELS

Low Pressure Laminate with Composite Edge

Powered Low Profile Static					
Part Number	Width	Height	Weight	List Price	Shelving Height
09069.SLEP	09"	69"	18 lbs.	\$382.00	(64.25)
10069.SLEP	10"	69"	20 lbs.	\$382.00	(64.25)
12069.SLEP	12"	69"	24 lbs.	\$382.00	(64.25)
13069.SLEP	13"	69"	25 lbs.	\$382.00	(64.25)
15069.SLEP	15"	69"	29 lbs.	\$426.00	(64.25)
16069.SLEP	16"	69"	30 lbs.	\$426.00	(64.25)
18069.SLEP	18"	69"	34 lbs.	\$442.00	(64.25)
20069.SLEP	20"	69"	37 lbs.	\$453.00	(64.25)
24069.SLEP	24"	69"	44 lbs.	\$476.00	(64.25)
26069.SLEP	26"	69"	47 lbs.	\$566.00	(64.25)
30069.SLEP	30"	69"	53 lbs.	\$566.00	(64.25)
32069.SLEP	32"	69"	57 lbs.	\$595.00	(64.25)
36069.SLEP	36"	69"	63 lbs.	\$595.00	(64.25)
40069.SLEP	40"	69"	70 lbs.	\$671.00	(64.25)
48069.SLEP	48"	69"	83 lbs.	\$671.00	(64.25)
54069.SLEP	54"	69"	93 lbs.	\$756.00	(64.25)
60069.SLEP	60"	69"	103 lbs.	\$756.00	(64.25)
09081.SLEP	09"	81"	21 lbs.	\$382.00	(76.25)
10081.SLEP	10"	81"	24 lbs.	\$382.00	(76.25)
12081.SLEP	12"	81"	28 lbs.	\$382.00	(76.25)
13081.SLEP	13"	81"	30 lbs.	\$382.00	(76.25)
15081.SLEP	15"	81"	34 lbs.	\$426.00	(76.25)
16081.SLEP	16"	81"	36 lbs.	\$426.00	(76.25)
18081.SLEP	18"	81"	39 lbs.	\$442.00	(76.25)
20081.SLEP	20"	81"	43 lbs.	\$453.00	(76.25)
24081.SLEP	24"	81"	51 lbs.	\$476.00	(76.25)
26081.SLEP	26"	81"	55 lbs.	\$566.00	(76.25)
30081.SLEP	30"	81"	63 lbs.	\$566.00	(76.25)
32081.SLEP	32"	81"	67 lbs.	\$595.00	(76.25)
36081.SLEP	36"	81"	74 lbs.	\$595.00	(76.25)
40081.SLEP	40"	81"	82 lbs.	\$671.00	(76.25)
48081.SLEP	48"	81"	98 lbs.	\$671.00	(76.25)
54081.SLEP	54"	81"	109 lbs.	\$756.00	(76.25)
60081.SLEP	60"	81"	121 lbs.	\$756.00	(76.25)
09090.SLEP	09"	90"	24 lbs.	\$382.00	(85.25)
10090.SLEP	10"	90"	26 lbs.	\$382.00	(85.25)
12090.SLEP	12"	90"	31 lbs.	\$382.00	(85.25)
13090.SLEP	13"	90"	33 lbs.	\$382.00	(85.25)
15090.SLEP	15"	90"	37 lbs.	\$426.00	(85.25)
16090.SLEP	16"	90"	40 lbs.	\$426.00	(85.25)
18090.SLEP	18"	90"	44 lbs.	\$442.00	(85.25)
20090.SLEP	20"	90"	48 lbs.	\$453.00	(85.25)
24090.SLEP	24"	90"	57 lbs.	\$476.00	(85.25)
26090.SLEP	26"	90"	61 lbs.	\$566.00	(85.25)
30090.SLEP	30"	90"	70 lbs.	\$566.00	(85.25)
32090.SLEP	32"	90"	74 lbs.	\$595.00	(85.25)
36090.SLEP	36"	90"	83 lbs.	\$595.00	(85.25)
40090.SLEP	40"	90"	91 lbs.	\$671.00	(85.25)
48090.SLEP	48"	90"	109 lbs.	\$671.00	(85.25)
54090.SLEP	54"	90"	121 lbs.	\$756.00	(85.25)
60090.SLEP	60"	90"	134 lbs.	\$756.00	(85.25)

Low Pressure Laminate Options Include: Antique White, Black, Fog Gray, Manitoba Maple.

POWERED LOW PROFILE END PANELS

Low Pressure Laminate with Composite Edge

Powered Low Profile Static					
Part Number	Width	Height	Weight	List Price	Shelving Height
09093.SLEP	09"	93"	24 lbs.	\$382.00	(88.25)
10093.SLEP	10"	93"	27 lbs.	\$382.00	(88.25)
12093.SLEP	12"	93"	32 lbs.	\$382.00	(88.25)
13093.SLEP	13"	93"	34 lbs.	\$382.00	(88.25)
15093.SLEP	15"	93"	39 lbs.	\$426.00	(88.25)
16093.SLEP	16"	93"	41 lbs.	\$426.00	(88.25)
18093.SLEP	18"	93"	45 lbs.	\$442.00	(88.25)
20093.SLEP	20"	93"	50 lbs.	\$453.00	(88.25)
24093.SLEP	24"	93"	59 lbs.	\$476.00	(88.25)
26093.SLEP	26"	93"	63 lbs.	\$566.00	(88.25)
30093.SLEP	30"	93"	72 lbs.	\$566.00	(88.25)
32093.SLEP	32"	93"	77 lbs.	\$595.00	(88.25)
36093.SLEP	36"	93"	85 lbs.	\$595.00	(88.25)
40093.SLEP	40"	93"	94 lbs.	\$671.00	(88.25)
48093.SLEP	48"	93"	112 lbs.	\$671.00	(88.25)
54093.SLEP	54"	93"	125 lbs.	\$756.00	(88.25)
60093.SLEP	60"	93"	139 lbs.	\$756.00	(88.25)
09102.SLEP	09"	102"	27 lbs.	\$407.00	(97.25)
10102.SLEP	10"	102"	30 lbs.	\$407.00	(97.25)
12102.SLEP	12"	102"	35 lbs.	\$407.00	(97.25)
13102.SLEP	13"	102"	38 lbs.	\$407.00	(97.25)
15102.SLEP	15"	102"	42 lbs.	\$456.00	(97.25)
16102.SLEP	16"	102"	45 lbs.	\$456.00	(97.25)
18102.SLEP	18"	102"	50 lbs.	\$477.00	(97.25)
20102.SLEP	20"	102"	55 lbs.	\$489.00	(97.25)
24102.SLEP	24"	102"	64 lbs.	\$519.00	(97.25)
26102.SLEP	26"	102"	69 lbs.	\$618.00	(97.25)
30102.SLEP	30"	102"	79 lbs.	\$618.00	(97.25)
32102.SLEP	32"	102"	84 lbs.	\$653.00	(97.25)
36102.SLEP	36"	102"	94 lbs.	\$653.00	(97.25)
40102.SLEP	40"	102"	103 lbs.	\$750.00	(97.25)
48102.SLEP	48"	102"	123 lbs.	\$750.00	(97.25)
54102.SLEP	54"	102"	138 lbs.	\$847.00	(97.25)
60102.SLEP	60"	102"	152 lbs.	\$847.00	(97.25)
09105.SLEP	09"	105"	27 lbs.	\$407.00	(100.25)
10105.SLEP	10"	105"	30 lbs.	\$407.00	(100.25)
12105.SLEP	12"	105"	36 lbs.	\$407.00	(100.25)
13105.SLEP	13"	105"	39 lbs.	\$407.00	(100.25)
15105.SLEP	15"	105"	44 lbs.	\$456.00	(100.25)
16105.SLEP	16"	105"	46 lbs.	\$456.00	(100.25)
18105.SLEP	18"	105"	51 lbs.	\$477.00	(100.25)
20105.SLEP	20"	105"	56 lbs.	\$489.00	(100.25)
24105.SLEP	24"	105"	66 lbs.	\$519.00	(100.25)
26105.SLEP	26"	105"	71 lbs.	\$618.00	(100.25)
30105.SLEP	30"	105"	81 lbs.	\$618.00	(100.25)
32105.SLEP	32"	105"	86 lbs.	\$653.00	(100.25)
36105.SLEP	36"	105"	96 lbs.	\$653.00	(100.25)
40105.SLEP	40"	105"	106 lbs.	\$750.00	(100.25)
48105.SLEP	48"	105"	127 lbs.	\$750.00	(100.25)
54105.SLEP	54"	105"	142 lbs.	\$847.00	(100.25)
60105.SLEP	60"	105"	157 lbs.	\$847.00	(100.25)

Low Pressure Laminate Options Include: Antique White, Black, Fog Gray, Manitoba Maple.

POWERED LOW PROFILE END PANELS

Low Pressure Laminate with Composite Edge

Powered Low Profile Static					
Part Number	Width	Height	Weight	List Price	Shelving Height
09126.SLEP	09"	126"	33 lbs.	\$490.00	(121.25)
10126.SLEP	10"	126"	36 lbs.	\$490.00	(121.25)
12126.SLEP	12"	126"	43 lbs.	\$490.00	(121.25)
13126.SLEP	13"	126"	46 lbs.	\$490.00	(121.25)
15126.SLEP	15"	126"	52 lbs.	\$546.00	(121.25)
16126.SLEP	16"	126"	55 lbs.	\$546.00	(121.25)
18126.SLEP	18"	126"	61 lbs.	\$572.00	(121.25)
20126.SLEP	20"	126"	67 lbs.	\$585.00	(121.25)
24126.SLEP	24"	126"	79 lbs.	\$619.00	(121.25)
26126.SLEP	26"	126"	86 lbs.	\$733.00	(121.25)
30126.SLEP	30"	126"	98 lbs.	\$733.00	(121.25)
32126.SLEP	32"	126"	104 lbs.	\$775.00	(121.25)
36126.SLEP	36"	126"	116 lbs.	\$775.00	(121.25)
40126.SLEP	40"	126"	128 lbs.	\$886.00	(121.25)
48126.SLEP	48"	126"	152 lbs.	\$886.00	(121.25)
54126.SLEP	54"	126"	170 lbs.	\$996.00	(121.25)
60126.SLEP	60"	126"	188 lbs.	\$996.00	(121.25)

Low Pressure Laminate Options Include: Antique White, Black, Fog Gray, Manitoba Maple.

POWERED LOW PROFILE END PANELS

High Pressure Laminate with Composite Edge

Powered Low Profile for Single Keypad						Powered Low Profile for Dual Keypads				
Part Number	Width	Height	Weight	List Price	Shelving Height	Part Number	Width	Height	Weight	List Price
09069.MH1P	09"	69"	18 lbs.	\$422.00	(64.25)					
10069.MH1P	10"	69"	20 lbs.	\$422.00	(64.25)					
12069.MH1P	12"	69"	24 lbs.	\$422.00	(64.25)	12069.MH2P	12"	69"	24 lbs.	\$422.00
13069.MH1P	13"	69"	25 lbs.	\$422.00	(64.25)	13069.MH2P	13"	69"	25 lbs.	\$422.00
15069.MH1P	15"	69"	29 lbs.	\$440.00	(64.25)	15069.MH2P	15"	69"	29 lbs.	\$440.00
16069.MH1P	16"	69"	30 lbs.	\$440.00	(64.25)	16069.MH2P	16"	69"	30 lbs.	\$440.00
18069.MH1P	18"	69"	34 lbs.	\$457.00	(64.25)	18069.MH2P	18"	69"	34 lbs.	\$457.00
20069.MH1P	20"	69"	37 lbs.	\$468.00	(64.25)	20069.MH2P	20"	69"	37 lbs.	\$468.00
24069.MH1P	24"	69"	44 lbs.	\$492.00	(64.25)	24069.MH2P	24"	69"	44 lbs.	\$492.00
26069.MH1P	26"	69"	47 lbs.	\$559.00	(64.25)	26069.MH2P	26"	69"	47 lbs.	\$559.00
30069.MH1P	30"	69"	53 lbs.	\$559.00	(64.25)	30069.MH2P	30"	69"	53 lbs.	\$559.00
32069.MH1P	32"	69"	57 lbs.	\$593.00	(64.25)	32069.MH2P	32"	69"	57 lbs.	\$593.00
36069.MH1P	36"	69"	63 lbs.	\$593.00	(64.25)	36069.MH2P	36"	69"	63 lbs.	\$593.00
40069.MH1P	40"	69"	70 lbs.	\$660.00	(64.25)	40069.MH2P	40"	69"	70 lbs.	\$660.00
48069.MH1P	48"	69"	83 lbs.	\$660.00	(64.25)	48069.MH2P	48"	69"	83 lbs.	\$660.00
54069.MH1P	54"	69"	93 lbs.	\$742.00	(64.25)	54069.MH2P	54"	69"	93 lbs.	\$742.00
60069.MH1P	60"	69"	103 lbs.	\$742.00	(64.25)	60069.MH2P	60"	69"	103 lbs.	\$742.00
09081.MH1P	09"	81"	21 lbs.	\$422.00	(76.25)					
10081.MH1P	10"	81"	24 lbs.	\$422.00	(76.25)					
12081.MH1P	12"	81"	28 lbs.	\$422.00	(76.25)	12081.MH2P	12"	81"	28 lbs.	\$422.00
13081.MH1P	13"	81"	30 lbs.	\$422.00	(76.25)	13081.MH2P	13"	81"	30 lbs.	\$422.00
15081.MH1P	15"	81"	34 lbs.	\$440.00	(76.25)	15081.MH2P	15"	81"	34 lbs.	\$440.00
16081.MH1P	16"	81"	36 lbs.	\$440.00	(76.25)	16081.MH2P	16"	81"	36 lbs.	\$440.00
18081.MH1P	18"	81"	39 lbs.	\$457.00	(76.25)	18081.MH2P	18"	81"	39 lbs.	\$457.00
20081.MH1P	20"	81"	43 lbs.	\$468.00	(76.25)	20081.MH2P	20"	81"	43 lbs.	\$468.00
24081.MH1P	24"	81"	51 lbs.	\$492.00	(76.25)	24081.MH2P	24"	81"	51 lbs.	\$492.00
26081.MH1P	26"	81"	55 lbs.	\$559.00	(76.25)	26081.MH2P	26"	81"	55 lbs.	\$559.00
30081.MH1P	30"	81"	63 lbs.	\$559.00	(76.25)	30081.MH2P	30"	81"	63 lbs.	\$559.00
32081.MH1P	32"	81"	67 lbs.	\$593.00	(76.25)	32081.MH2P	32"	81"	67 lbs.	\$593.00
36081.MH1P	36"	81"	74 lbs.	\$593.00	(76.25)	36081.MH2P	36"	81"	74 lbs.	\$593.00
40081.MH1P	40"	81"	82 lbs.	\$660.00	(76.25)	40081.MH2P	40"	81"	82 lbs.	\$660.00
48081.MH1P	48"	81"	98 lbs.	\$660.00	(76.25)	48081.MH2P	48"	81"	98 lbs.	\$660.00
54081.MH1P	54"	81"	109 lbs.	\$742.00	(76.25)	54081.MH2P	54"	81"	109 lbs.	\$742.00
60081.MH1P	60"	81"	121 lbs.	\$742.00	(76.25)	60081.MH2P	60"	81"	121 lbs.	\$742.00
09090.MH1P	09"	90"	24 lbs.	\$422.00	(85.25)					
10090.MH1P	10"	90"	26 lbs.	\$422.00	(85.25)					
12090.MH1P	12"	90"	31 lbs.	\$422.00	(85.25)	12090.MH2P	12"	90"	31 lbs.	\$422.00
13090.MH1P	13"	90"	33 lbs.	\$422.00	(85.25)	13090.MH2P	13"	90"	33 lbs.	\$422.00
15090.MH1P	15"	90"	37 lbs.	\$440.00	(85.25)	15090.MH2P	15"	90"	37 lbs.	\$440.00
16090.MH1P	16"	90"	40 lbs.	\$440.00	(85.25)	16090.MH2P	16"	90"	40 lbs.	\$440.00
18090.MH1P	18"	90"	44 lbs.	\$457.00	(85.25)	18090.MH2P	18"	90"	44 lbs.	\$457.00
20090.MH1P	20"	90"	48 lbs.	\$468.00	(85.25)	20090.MH2P	20"	90"	48 lbs.	\$468.00
24090.MH1P	24"	90"	57 lbs.	\$492.00	(85.25)	24090.MH2P	24"	90"	57 lbs.	\$492.00
26090.MH1P	26"	90"	61 lbs.	\$559.00	(85.25)	26090.MH2P	26"	90"	61 lbs.	\$559.00
30090.MH1P	30"	90"	70 lbs.	\$559.00	(85.25)	30090.MH2P	30"	90"	70 lbs.	\$559.00
32090.MH1P	32"	90"	74 lbs.	\$593.00	(85.25)	32090.MH2P	32"	90"	74 lbs.	\$593.00
36090.MH1P	36"	90"	83 lbs.	\$593.00	(85.25)	36090.MH2P	36"	90"	83 lbs.	\$593.00
40090.MH1P	40"	90"	91 lbs.	\$660.00	(85.25)	40090.MH2P	40"	90"	91 lbs.	\$660.00
48090.MH1P	48"	90"	109 lbs.	\$660.00	(85.25)	48090.MH2P	48"	90"	109 lbs.	\$660.00
54090.MH1P	54"	90"	121 lbs.	\$742.00	(85.25)	54090.MH2P	54"	90"	121 lbs.	\$742.00
60090.MH1P	60"	90"	134 lbs.	\$742.00	(85.25)	60090.MH2P	60"	90"	134 lbs.	\$742.00

MH1P Models are drilled with a single hole for Electric Keypad.

MH2P Models are drilled with 2 holes for 2 Electric Keypads.

Prices reflect Standard Wilsonart Laminates.

Wilsonart Premium and High Definition Laminates are also available as a custom order. Call Customer Service for a quote.

POWERED LOW PROFILE END PANELS

High Pressure Laminate with Composite Edge

Powered Low Profile for Single Keypad						Powered Low Profile for Dual Keypads				
Part Number	Width	Height	Weight	List Price	Shelving Height	Part Number	Width	Height	Weight	List Price
09093.MH1P	09"	93"	24 lbs.	\$422.00	(88.25)					
10093.MH1P	10"	93"	27 lbs.	\$422.00	(88.25)					
12093.MH1P	12"	93"	32 lbs.	\$422.00	(88.25)	12093.MH2P	12"	93"	32 lbs.	\$422.00
13093.MH1P	13"	93"	34 lbs.	\$422.00	(88.25)	13093.MH2P	13"	93"	34 lbs.	\$422.00
15093.MH1P	15"	93"	39 lbs.	\$440.00	(88.25)	15093.MH2P	15"	93"	39 lbs.	\$440.00
16093.MH1P	16"	93"	41 lbs.	\$440.00	(88.25)	16093.MH2P	16"	93"	41 lbs.	\$440.00
18093.MH1P	18"	93"	45 lbs.	\$457.00	(88.25)	18093.MH2P	18"	93"	45 lbs.	\$457.00
20093.MH1P	20"	93"	50 lbs.	\$468.00	(88.25)	20093.MH2P	20"	93"	50 lbs.	\$468.00
24093.MH1P	24"	93"	59 lbs.	\$475.00	(88.25)	24093.MH2P	24"	93"	59 lbs.	\$492.00
26093.MH1P	26"	93"	63 lbs.	\$559.00	(88.25)	26093.MH2P	26"	93"	63 lbs.	\$559.00
30093.MH1P	30"	93"	72 lbs.	\$559.00	(88.25)	30093.MH2P	30"	93"	72 lbs.	\$559.00
32093.MH1P	32"	93"	77 lbs.	\$593.00	(88.25)	32093.MH2P	32"	93"	77 lbs.	\$593.00
36093.MH1P	36"	93"	85 lbs.	\$593.00	(88.25)	36093.MH2P	36"	93"	85 lbs.	\$593.00
40093.MH1P	40"	93"	94 lbs.	\$660.00	(88.25)	40093.MH2P	40"	93"	94 lbs.	\$660.00
48093.MH1P	48"	93"	112 lbs.	\$660.00	(88.25)	48093.MH2P	48"	93"	112 lbs.	\$660.00
54093.MH1P	54"	93"	125 lbs.	\$742.00	(88.25)	54093.MH2P	54"	93"	125 lbs.	\$742.00
60093.MH1P	60"	93"	139 lbs.	\$742.00	(88.25)	60093.MH2P	60"	93"	139 lbs.	\$742.00
09102.MH1P	09"	102"	27 lbs.	\$449.00	(97.25)					
10102.MH1P	10"	102"	30 lbs.	\$449.00	(97.25)					
12102.MH1P	12"	102"	35 lbs.	\$449.00	(97.25)	12102.MH2P	12"	102"	35 lbs.	\$449.00
13102.MH1P	13"	102"	38 lbs.	\$449.00	(97.25)	13102.MH2P	13"	102"	38 lbs.	\$449.00
15102.MH1P	15"	102"	42 lbs.	\$470.00	(97.25)	15102.MH2P	15"	102"	42 lbs.	\$470.00
16102.MH1P	16"	102"	45 lbs.	\$470.00	(97.25)	16102.MH2P	16"	102"	45 lbs.	\$470.00
18102.MH1P	18"	102"	50 lbs.	\$494.00	(97.25)	18102.MH2P	18"	102"	50 lbs.	\$494.00
20102.MH1P	20"	102"	55 lbs.	\$505.00	(97.25)	20102.MH2P	20"	102"	55 lbs.	\$505.00
24102.MH1P	24"	102"	64 lbs.	\$536.00	(97.25)	24102.MH2P	24"	102"	64 lbs.	\$536.00
26102.MH1P	26"	102"	69 lbs.	\$610.00	(97.25)	26102.MH2P	26"	102"	69 lbs.	\$610.00
30102.MH1P	30"	102"	79 lbs.	\$610.00	(97.25)	30102.MH2P	30"	102"	79 lbs.	\$610.00
32102.MH1P	32"	102"	84 lbs.	\$651.00	(97.25)	32102.MH2P	32"	102"	84 lbs.	\$651.00
36102.MH1P	36"	102"	94 lbs.	\$651.00	(97.25)	36102.MH2P	36"	102"	94 lbs.	\$651.00
40102.MH1P	40"	102"	103 lbs.	\$738.00	(97.25)	40102.MH2P	40"	102"	103 lbs.	\$738.00
48102.MH1P	48"	102"	123 lbs.	\$738.00	(97.25)	48102.MH2P	48"	102"	123 lbs.	\$738.00
54102.MH1P	54"	102"	138 lbs.	\$831.00	(97.25)	54102.MH2P	54"	102"	138 lbs.	\$831.00
60102.MH1P	60"	102"	152 lbs.	\$831.00	(97.25)	60102.MH2P	60"	102"	152 lbs.	\$831.00
09105.MH1P	09"	105"	27 lbs.	\$449.00	(100.25)					
10105.MH1P	10"	105"	30 lbs.	\$449.00	(100.25)					
12105.MH1P	12"	105"	36 lbs.	\$449.00	(100.25)	12105.MH2P	12"	105"	36 lbs.	\$449.00
13105.MH1P	13"	105"	39 lbs.	\$449.00	(100.25)	13105.MH2P	13"	105"	39 lbs.	\$449.00
15105.MH1P	15"	105"	44 lbs.	\$470.00	(100.25)	15105.MH2P	15"	105"	44 lbs.	\$470.00
16105.MH1P	16"	105"	46 lbs.	\$470.00	(100.25)	16105.MH2P	16"	105"	46 lbs.	\$470.00
18105.MH1P	18"	105"	51 lbs.	\$494.00	(100.25)	18105.MH2P	18"	105"	51 lbs.	\$494.00
20105.MH1P	20"	105"	56 lbs.	\$505.00	(100.25)	20105.MH2P	20"	105"	56 lbs.	\$505.00
24105.MH1P	24"	105"	66 lbs.	\$536.00	(100.25)	24105.MH2P	24"	105"	66 lbs.	\$536.00
26105.MH1P	26"	105"	71 lbs.	\$610.00	(100.25)	26105.MH2P	26"	105"	71 lbs.	\$610.00
30105.MH1P	30"	105"	81 lbs.	\$610.00	(100.25)	30105.MH2P	30"	105"	81 lbs.	\$610.00
32105.MH1P	32"	105"	86 lbs.	\$651.00	(100.25)	32105.MH2P	32"	105"	86 lbs.	\$651.00
36105.MH1P	36"	105"	96 lbs.	\$651.00	(100.25)	36105.MH2P	36"	105"	96 lbs.	\$651.00
40105.MH1P	40"	105"	106 lbs.	\$738.00	(100.25)	40105.MH2P	40"	105"	106 lbs.	\$738.00
48105.MH1P	48"	105"	127 lbs.	\$738.00	(100.25)	48105.MH2P	48"	105"	127 lbs.	\$738.00
54105.MH1P	54"	105"	142 lbs.	\$831.00	(100.25)	54105.MH2P	54"	105"	142 lbs.	\$831.00
60105.MH1P	60"	105"	157 lbs.	\$831.00	(100.25)	60105.MH2P	60"	105"	157 lbs.	\$831.00

MH1P Models are drilled with a single hole for Electric Keypad.

MH2P Models are drilled with 2 holes for 2 Electric Keypads.

Prices reflect Standard Wilsonart Laminates.

Wilsonart Premium and High Definition Laminates are also available as a custom order. Call Customer Service for a quote.

POWERED LOW PROFILE END PANELS

High Pressure Laminate with Composite Edge

Powered Low Profile for Single Keypad						Powered Low Profile for Dual Keypads				
Part Number	Width	Height	Weight	List Price	Shelving Height	Part Number	Width	Height	Weight	List Price
09126.MH1P	09"	126"	33 lbs.	\$538.00	(121.25)					
10126.MH1P	10"	126"	36 lbs.	\$538.00	(121.25)					
12126.MH1P	12"	126"	43 lbs.	\$538.00	(121.25)	12126.MH2P	12"	126"	43 lbs.	\$538.00
13126.MH1P	13"	126"	46 lbs.	\$538.00	(121.25)	13126.MH2P	13"	126"	46 lbs.	\$538.00
15126.MH1P	15"	126"	52 lbs.	\$563.00	(121.25)	15126.MH2P	15"	126"	52 lbs.	\$563.00
16126.MH1P	16"	126"	55 lbs.	\$563.00	(121.25)	16126.MH2P	16"	126"	55 lbs.	\$563.00
18126.MH1P	18"	126"	61 lbs.	\$591.00	(121.25)	18126.MH2P	18"	126"	61 lbs.	\$591.00
20126.MH1P	20"	126"	67 lbs.	\$602.00	(121.25)	20126.MH2P	20"	126"	67 lbs.	\$602.00
24126.MH1P	24"	126"	79 lbs.	\$639.00	(121.25)	24126.MH2P	24"	126"	79 lbs.	\$639.00
26126.MH1P	26"	126"	86 lbs.	\$723.00	(121.25)	26126.MH2P	26"	126"	86 lbs.	\$723.00
30126.MH1P	30"	126"	98 lbs.	\$723.00	(121.25)	30126.MH2P	30"	126"	98 lbs.	\$723.00
32126.MH1P	32"	126"	104 lbs.	\$771.00	(121.25)	32126.MH2P	32"	126"	104 lbs.	\$771.00
36126.MH1P	36"	126"	116 lbs.	\$771.00	(121.25)	36126.MH2P	36"	126"	116 lbs.	\$771.00
40126.MH1P	40"	126"	128 lbs.	\$871.00	(121.25)	40126.MH2P	40"	126"	128 lbs.	\$871.00
48126.MH1P	48"	126"	152 lbs.	\$871.00	(121.25)	48126.MH2P	48"	126"	152 lbs.	\$871.00
54126.MH1P	54"	126"	170 lbs.	\$979.00	(121.25)	54126.MH2P	54"	126"	170 lbs.	\$979.00
60126.MH1P	60"	126"	188 lbs.	\$979.00	(121.25)	60126.MH2P	60"	126"	188 lbs.	\$979.00

MH1P Models are drilled with a single hole for Electric Keypad.

MH2P Models are drilled with 2 holes for 2 Electric Keypads.

Prices reflect Standard Wilsonart Laminates.

Wilsonart Premium and High Definition Laminates are also available as a custom order. Call Customer Service for a quote.

POWERED LOW PROFILE END PANELS

High Pressure Laminate with Composite Edge

Powered Low Profile Static					
Part Number	Width	Height	Weight	List Price	Shelving Height
09069.SHEP	09"	69"	18 lbs.	\$422.00	(64.25)
10069.SHEP	10"	69"	20 lbs.	\$422.00	(64.25)
12069.SHEP	12"	69"	24 lbs.	\$422.00	(64.25)
13069.SHEP	13"	69"	25 lbs.	\$422.00	(64.25)
15069.SHEP	15"	69"	29 lbs.	\$440.00	(64.25)
16069.SHEP	16"	69"	30 lbs.	\$440.00	(64.25)
18069.SHEP	18"	69"	34 lbs.	\$457.00	(64.25)
20069.SHEP	20"	69"	37 lbs.	\$468.00	(64.25)
24069.SHEP	24"	69"	44 lbs.	\$492.00	(64.25)
26069.SHEP	26"	69"	47 lbs.	\$559.00	(64.25)
30069.SHEP	30"	69"	53 lbs.	\$559.00	(64.25)
32069.SHEP	32"	69"	57 lbs.	\$593.00	(64.25)
36069.SHEP	36"	69"	63 lbs.	\$593.00	(64.25)
40069.SHEP	40"	69"	70 lbs.	\$658.00	(64.25)
48069.SHEP	48"	69"	83 lbs.	\$658.00	(64.25)
54069.SHEP	54"	69"	93 lbs.	\$742.00	(64.25)
60069.SHEP	60"	69"	103 lbs.	\$742.00	(64.25)
09081.SHEP	09"	81"	21 lbs.	\$422.00	(76.25)
10081.SHEP	10"	81"	24 lbs.	\$422.00	(76.25)
12081.SHEP	12"	81"	28 lbs.	\$422.00	(76.25)
13081.SHEP	13"	81"	30 lbs.	\$422.00	(76.25)
15081.SHEP	15"	81"	34 lbs.	\$440.00	(76.25)
16081.SHEP	16"	81"	36 lbs.	\$440.00	(76.25)
18081.SHEP	18"	81"	39 lbs.	\$457.00	(76.25)
20081.SHEP	20"	81"	43 lbs.	\$468.00	(76.25)
24081.SHEP	24"	81"	51 lbs.	\$492.00	(76.25)
26081.SHEP	26"	81"	55 lbs.	\$559.00	(76.25)
30081.SHEP	30"	81"	63 lbs.	\$559.00	(76.25)
32081.SHEP	32"	81"	67 lbs.	\$593.00	(76.25)
36081.SHEP	36"	81"	74 lbs.	\$593.00	(76.25)
40081.SHEP	40"	81"	82 lbs.	\$658.00	(76.25)
48081.SHEP	48"	81"	98 lbs.	\$658.00	(76.25)
54081.SHEP	54"	81"	109 lbs.	\$742.00	(76.25)
60081.SHEP	60"	81"	121 lbs.	\$742.00	(76.25)
09090.SHEP	09"	90"	24 lbs.	\$422.00	(85.25)
10090.SHEP	10"	90"	26 lbs.	\$422.00	(85.25)
12090.SHEP	12"	90"	31 lbs.	\$422.00	(85.25)
13090.SHEP	13"	90"	33 lbs.	\$422.00	(85.25)
15090.SHEP	15"	90"	37 lbs.	\$440.00	(85.25)
16090.SHEP	16"	90"	40 lbs.	\$440.00	(85.25)
18090.SHEP	18"	90"	44 lbs.	\$457.00	(85.25)
20090.SHEP	20"	90"	48 lbs.	\$468.00	(85.25)
24090.SHEP	24"	90"	57 lbs.	\$492.00	(85.25)
26090.SHEP	26"	90"	61 lbs.	\$559.00	(85.25)
30090.SHEP	30"	90"	70 lbs.	\$559.00	(85.25)
32090.SHEP	32"	90"	74 lbs.	\$593.00	(85.25)
36090.SHEP	36"	90"	83 lbs.	\$593.00	(85.25)
40090.SHEP	40"	90"	91 lbs.	\$658.00	(85.25)
48090.SHEP	48"	90"	109 lbs.	\$658.00	(85.25)
54090.SHEP	54"	90"	121 lbs.	\$742.00	(85.25)
60090.SHEP	60"	90"	134 lbs.	\$742.00	(85.25)

Prices reflect Standard Wilsonart Laminates.

Wilsonart Premium and High Definition Laminates are also available as a custom order. Call Customer Service for a quote.

POWERED LOW PROFILE END PANELS

High Pressure Laminate with Composite Edge

Powered Low Profile Static					
Part Number	Width	Height	Weight	List Price	Shelving Height
09093.SHEP	09"	93"	24 lbs.	\$422.00	(88.25)
10093.SHEP	10"	93"	27 lbs.	\$422.00	(88.25)
12093.SHEP	12"	93"	32 lbs.	\$422.00	(88.25)
13093.SHEP	13"	93"	34 lbs.	\$422.00	(88.25)
15093.SHEP	15"	93"	39 lbs.	\$440.00	(88.25)
16093.SHEP	16"	93"	41 lbs.	\$440.00	(88.25)
18093.SHEP	18"	93"	45 lbs.	\$457.00	(88.25)
20093.SHEP	20"	93"	50 lbs.	\$468.00	(88.25)
24093.SHEP	24"	93"	59 lbs.	\$492.00	(88.25)
26093.SHEP	26"	93"	63 lbs.	\$559.00	(88.25)
30093.SHEP	30"	93"	72 lbs.	\$559.00	(88.25)
32093.SHEP	32"	93"	77 lbs.	\$593.00	(88.25)
36093.SHEP	36"	93"	85 lbs.	\$593.00	(88.25)
40093.SHEP	40"	93"	94 lbs.	\$658.00	(88.25)
48093.SHEP	48"	93"	112 lbs.	\$658.00	(88.25)
54093.SHEP	54"	93"	125 lbs.	\$742.00	(88.25)
60093.SHEP	60"	93"	139 lbs.	\$742.00	(88.25)
09102.SHEP	09"	102"	27 lbs.	\$449.00	(97.25)
10102.SHEP	10"	102"	30 lbs.	\$449.00	(97.25)
12102.SHEP	12"	102"	35 lbs.	\$449.00	(97.25)
13102.SHEP	13"	102"	38 lbs.	\$449.00	(97.25)
15102.SHEP	15"	102"	42 lbs.	\$470.00	(97.25)
16102.SHEP	16"	102"	45 lbs.	\$470.00	(97.25)
18102.SHEP	18"	102"	50 lbs.	\$494.00	(97.25)
20102.SHEP	20"	102"	55 lbs.	\$505.00	(97.25)
24102.SHEP	24"	102"	64 lbs.	\$536.00	(97.25)
26102.SHEP	26"	102"	69 lbs.	\$610.00	(97.25)
30102.SHEP	30"	102"	79 lbs.	\$610.00	(97.25)
32102.SHEP	32"	102"	84 lbs.	\$650.00	(97.25)
36102.SHEP	36"	102"	94 lbs.	\$650.00	(97.25)
40102.SHEP	40"	102"	103 lbs.	\$738.00	(97.25)
48102.SHEP	48"	102"	123 lbs.	\$738.00	(97.25)
54102.SHEP	54"	102"	138 lbs.	\$831.00	(97.25)
60102.SHEP	60"	102"	152 lbs.	\$831.00	(97.25)
09105.SHEP	09"	105"	27 lbs.	\$449.00	(100.25)
10105.SHEP	10"	105"	30 lbs.	\$449.00	(100.25)
12105.SHEP	12"	105"	36 lbs.	\$449.00	(100.25)
13105.SHEP	13"	105"	39 lbs.	\$449.00	(100.25)
15105.SHEP	15"	105"	44 lbs.	\$470.00	(100.25)
16105.SHEP	16"	105"	46 lbs.	\$470.00	(100.25)
18105.SHEP	18"	105"	51 lbs.	\$494.00	(100.25)
20105.SHEP	20"	105"	56 lbs.	\$505.00	(100.25)
24105.SHEP	24"	105"	66 lbs.	\$536.00	(100.25)
26105.SHEP	26"	105"	71 lbs.	\$610.00	(100.25)
30105.SHEP	30"	105"	81 lbs.	\$610.00	(100.25)
32105.SHEP	32"	105"	86 lbs.	\$650.00	(100.25)
36105.SHEP	36"	105"	96 lbs.	\$650.00	(100.25)
40105.SHEP	40"	105"	106 lbs.	\$738.00	(100.25)
48105.SHEP	48"	105"	127 lbs.	\$738.00	(100.25)
54105.SHEP	54"	105"	142 lbs.	\$831.00	(100.25)
60105.SHEP	60"	105"	157 lbs.	\$831.00	(100.25)

Prices reflect Standard Wilsonart Laminates.

Wilsonart Premium and High Definition Laminates are also available as a custom order. Call Customer Service for a quote.

POWERED LOW PROFILE END PANELS

High Pressure Laminate with Composite Edge

Powered Low Profile Static					
Part Number	Width	Height	Weight	List Price	Shelving Height
09126.SHEP	09"	126"	33 lbs.	\$538.00	(121.25)
10126.SHEP	10"	126"	36 lbs.	\$538.00	(121.25)
12126.SHEP	12"	126"	43 lbs.	\$538.00	(121.25)
13126.SHEP	13"	126"	46 lbs.	\$538.00	(121.25)
15126.SHEP	15"	126"	52 lbs.	\$563.00	(121.25)
16126.SHEP	16"	126"	55 lbs.	\$563.00	(121.25)
18126.SHEP	18"	126"	61 lbs.	\$591.00	(121.25)
20126.SHEP	20"	126"	67 lbs.	\$602.00	(121.25)
24126.SHEP	24"	126"	79 lbs.	\$639.00	(121.25)
26126.SHEP	26"	126"	86 lbs.	\$723.00	(121.25)
30126.SHEP	30"	126"	98 lbs.	\$723.00	(121.25)
32126.SHEP	32"	126"	104 lbs.	\$771.00	(121.25)
36126.SHEP	36"	126"	116 lbs.	\$771.00	(121.25)
40126.SHEP	40"	126"	128 lbs.	\$871.00	(121.25)
48126.SHEP	48"	126"	152 lbs.	\$871.00	(121.25)
54126.SHEP	54"	126"	170 lbs.	\$979.00	(121.25)
60126.SHEP	60"	126"	188 lbs.	\$979.00	(121.25)

Prices reflect Standard Wilsonart Laminates.

Wilsonart Premium and High Definition Laminates are also available as a custom order. Call Customer Service for a quote.

POWERED LOW PROFILE END PANELS

High Pressure Laminate Self Edge

Powered Low Profile for Single Keypad						Powered Low Profile for Dual Keypads				
Part Number	Width	Height	Weight	List Price	Shelving Height	Part Number	Width	Height	Weight	List Price
09069.MW1P	09"	69"	12 lbs.	\$574.00	(64.25)					
10069.MW1P	10"	69"	13 lbs.	\$574.00	(64.25)					
12069.MW1P	12"	69"	15 lbs.	\$574.00	(64.25)	12069.MW2P	12"	69"	15 lbs.	\$614.00
13069.MW1P	13"	69"	16 lbs.	\$574.00	(64.25)	13069.MW2P	13"	69"	16 lbs.	\$614.00
15069.MW1P	15"	69"	19 lbs.	\$649.00	(64.25)	15069.MW2P	15"	69"	19 lbs.	\$680.00
16069.MW1P	16"	69"	20 lbs.	\$649.00	(64.25)	16069.MW2P	16"	69"	20 lbs.	\$680.00
18069.MW1P	18"	69"	23 lbs.	\$649.00	(64.25)	18069.MW2P	18"	69"	23 lbs.	\$680.00
20069.MW1P	20"	69"	25 lbs.	\$649.00	(64.25)	20069.MW2P	20"	69"	25 lbs.	\$680.00
24069.MW1P	24"	69"	30 lbs.	\$652.00	(64.25)	24069.MW2P	24"	69"	30 lbs.	\$691.00
26069.MW1P	26"	69"	33 lbs.	\$652.00	(64.25)	26069.MW2P	26"	69"	33 lbs.	\$691.00
30069.MW1P	30"	69"	38 lbs.	\$816.00	(64.25)	30069.MW2P	30"	69"	38 lbs.	\$855.00
32069.MW1P	32"	69"	41 lbs.	\$816.00	(64.25)	32069.MW2P	32"	69"	41 lbs.	\$855.00
36069.MW1P	36"	69"	46 lbs.	\$824.00	(64.25)	36069.MW2P	36"	69"	46 lbs.	\$855.00
40069.MW1P	40"	69"	51 lbs.	\$824.00	(64.25)	40069.MW2P	40"	69"	51 lbs.	\$855.00
48069.MW1P	48"	69"	61 lbs.	\$928.00	(64.25)	48069.MW2P	48"	69"	61 lbs.	\$959.00
54069.MW1P	54"	69"	68 lbs.	\$1,448.00	(64.25)	54069.MW2P	54"	69"	68 lbs.	\$1,480.00
60069.MW1P	60"	69"	76 lbs.	\$1,613.00	(64.25)	60069.MW2P	60"	69"	76 lbs.	\$1,643.00
09081.MW1P	09"	81"	14 lbs.	\$574.00	(76.25)					
10081.MW1P	10"	81"	15 lbs.	\$574.00	(76.25)					
12081.MW1P	12"	81"	18 lbs.	\$574.00	(76.25)	12081.MW2P	12"	81"	18 lbs.	\$614.00
13081.MW1P	13"	81"	19 lbs.	\$574.00	(76.25)	13081.MW2P	13"	81"	19 lbs.	\$614.00
15081.MW1P	15"	81"	22 lbs.	\$649.00	(76.25)	15081.MW2P	15"	81"	22 lbs.	\$680.00
16081.MW1P	16"	81"	24 lbs.	\$649.00	(76.25)	16081.MW2P	16"	81"	24 lbs.	\$680.00
18081.MW1P	18"	81"	27 lbs.	\$649.00	(76.25)	18081.MW2P	18"	81"	27 lbs.	\$680.00
20081.MW1P	20"	81"	30 lbs.	\$649.00	(76.25)	20081.MW2P	20"	81"	30 lbs.	\$680.00
24081.MW1P	24"	81"	36 lbs.	\$652.00	(76.25)	24081.MW2P	24"	81"	36 lbs.	\$691.00
26081.MW1P	26"	81"	39 lbs.	\$652.00	(76.25)	26081.MW2P	26"	81"	39 lbs.	\$691.00
30081.MW1P	30"	81"	45 lbs.	\$816.00	(76.25)	30081.MW2P	30"	81"	45 lbs.	\$855.00
32081.MW1P	32"	81"	48 lbs.	\$816.00	(76.25)	32081.MW2P	32"	81"	48 lbs.	\$855.00
36081.MW1P	36"	81"	54 lbs.	\$824.00	(76.25)	36081.MW2P	36"	81"	54 lbs.	\$855.00
40081.MW1P	40"	81"	60 lbs.	\$824.00	(76.25)	40081.MW2P	40"	81"	60 lbs.	\$855.00
48081.MW1P	48"	81"	71 lbs.	\$928.00	(76.25)	48081.MW2P	48"	81"	71 lbs.	\$959.00
54081.MW1P	54"	81"	80 lbs.	\$1,448.00	(76.25)	54081.MW2P	54"	81"	80 lbs.	\$1,480.00
60081.MW1P	60"	81"	89 lbs.	\$1,613.00	(76.25)	60081.MW2P	60"	81"	89 lbs.	\$1,643.00
09090.MW1P	09"	90"	15 lbs.	\$574.00	(85.25)					
10090.MW1P	10"	90"	17 lbs.	\$574.00	(85.25)					
12090.MW1P	12"	90"	20 lbs.	\$574.00	(85.25)	12090.MW2P	12"	90"	20 lbs.	\$614.00
13090.MW1P	13"	90"	21 lbs.	\$574.00	(85.25)	13090.MW2P	13"	90"	21 lbs.	\$614.00
15090.MW1P	15"	90"	25 lbs.	\$649.00	(85.25)	15090.MW2P	15"	90"	25 lbs.	\$680.00
16090.MW1P	16"	90"	26 lbs.	\$649.00	(85.25)	16090.MW2P	16"	90"	26 lbs.	\$680.00
18090.MW1P	18"	90"	30 lbs.	\$649.00	(85.25)	18090.MW2P	18"	90"	30 lbs.	\$680.00
20090.MW1P	20"	90"	33 lbs.	\$649.00	(85.25)	20090.MW2P	20"	90"	33 lbs.	\$680.00
24090.MW1P	24"	90"	40 lbs.	\$652.00	(85.25)	24090.MW2P	24"	90"	40 lbs.	\$691.00
26090.MW1P	26"	90"	43 lbs.	\$652.00	(85.25)	26090.MW2P	26"	90"	43 lbs.	\$691.00
30090.MW1P	30"	90"	50 lbs.	\$816.00	(85.25)	30090.MW2P	30"	90"	50 lbs.	\$855.00
32090.MW1P	32"	90"	53 lbs.	\$816.00	(85.25)	32090.MW2P	32"	90"	53 lbs.	\$855.00
36090.MW1P	36"	90"	60 lbs.	\$824.00	(85.25)	36090.MW2P	36"	90"	60 lbs.	\$855.00
40090.MW1P	40"	90"	66 lbs.	\$824.00	(85.25)	40090.MW2P	40"	90"	66 lbs.	\$855.00
48090.MW1P	48"	90"	79 lbs.	\$928.00	(85.25)	48090.MW2P	48"	90"	79 lbs.	\$959.00
54090.MW1P	54"	90"	89 lbs.	\$1,448.00	(85.25)	54090.MW2P	54"	90"	89 lbs.	\$1,480.00
60090.MW1P	60"	90"	99 lbs.	\$1,613.00	(85.25)	60090.MW2P	60"	90"	99 lbs.	\$1,643.00

MW1P Models are drilled with a single hole for Electric Keypad.

MW2P Models are drilled with 2 holes for 2 Electric Keypads.

Prices reflect Standard Wilsonart Laminates.

Wilsonart Premium and High Definition Laminates are also available as a custom order. Call Customer Service for a quote.

POWERED LOW PROFILE END PANELS

High Pressure Laminate Self Edge

Powered Low Profile for Single Keypad						Powered Low Profile for Dual Keypads				
Part Number	Width	Height	Weight	List Price	Shelving Height	Part Number	Width	Height	Weight	List Price
09093.MW1P	09"	93"	16 lbs.	\$574.00	(88.25)					
10093.MW1P	10"	93"	17 lbs.	\$574.00	(88.25)					
12093.MW1P	12"	93"	20 lbs.	\$574.00	(88.25)	12093.MW2P	12"	93"	20 lbs.	\$614.00
13093.MW1P	13"	93"	22 lbs.	\$574.00	(88.25)	13093.MW2P	13"	93"	22 lbs.	\$614.00
15093.MW1P	15"	93"	26 lbs.	\$649.00	(88.25)	15093.MW2P	15"	93"	26 lbs.	\$680.00
16093.MW1P	16"	93"	27 lbs.	\$649.00	(88.25)	16093.MW2P	16"	93"	27 lbs.	\$680.00
18093.MW1P	18"	93"	31 lbs.	\$649.00	(88.25)	18093.MW2P	18"	93"	31 lbs.	\$680.00
20093.MW1P	20"	93"	34 lbs.	\$649.00	(88.25)	20093.MW2P	20"	93"	34 lbs.	\$680.00
24093.MW1P	24"	93"	41 lbs.	\$652.00	(88.25)	24093.MW2P	24"	93"	41 lbs.	\$691.00
26093.MW1P	26"	93"	44 lbs.	\$652.00	(88.25)	26093.MW2P	26"	93"	44 lbs.	\$691.00
30093.MW1P	30"	93"	51 lbs.	\$816.00	(88.25)	30093.MW2P	30"	93"	51 lbs.	\$855.00
32093.MW1P	32"	93"	55 lbs.	\$816.00	(88.25)	32093.MW2P	32"	93"	55 lbs.	\$855.00
36093.MW1P	36"	93"	61 lbs.	\$824.00	(88.25)	36093.MW2P	36"	93"	61 lbs.	\$855.00
40093.MW1P	40"	93"	68 lbs.	\$824.00	(88.25)	40093.MW2P	40"	93"	68 lbs.	\$855.00
48093.MW1P	48"	93"	82 lbs.	\$928.00	(88.25)	48093.MW2P	48"	93"	82 lbs.	\$959.00
54093.MW1P	54"	93"	92 lbs.	\$1,448.00	(88.25)	54093.MW2P	54"	93"	92 lbs.	\$1,480.00
60093.MW1P	60"	93"	102 lbs.	\$1,613.00	(88.25)	60093.MW2P	60"	93"	102 lbs.	\$1,643.00
09102.MW1P	09"	102"	18 lbs.	\$766.00	(97.25)					
10102.MW1P	10"	102"	20 lbs.	\$766.00	(97.25)					
12102.MW1P	12"	102"	22 lbs.	\$766.00	(97.25)	12102.MW2P	12"	102"	22 lbs.	\$797.00
13102.MW1P	13"	102"	24 lbs.	\$766.00	(97.25)	13102.MW2P	13"	102"	24 lbs.	\$797.00
15102.MW1P	15"	102"	28 lbs.	\$772.00	(97.25)	15102.MW2P	15"	102"	28 lbs.	\$803.00
16102.MW1P	16"	102"	30 lbs.	\$772.00	(97.25)	16102.MW2P	16"	102"	30 lbs.	\$803.00
18102.MW1P	18"	102"	34 lbs.	\$772.00	(97.25)	18102.MW2P	18"	102"	34 lbs.	\$803.00
20102.MW1P	20"	102"	37 lbs.	\$772.00	(97.25)	20102.MW2P	20"	102"	37 lbs.	\$803.00
24102.MW1P	24"	102"	45 lbs.	\$853.00	(97.25)	24102.MW2P	24"	102"	45 lbs.	\$885.00
26102.MW1P	26"	102"	49 lbs.	\$853.00	(97.25)	26102.MW2P	26"	102"	49 lbs.	\$885.00
30102.MW1P	30"	102"	56 lbs.	\$915.00	(97.25)	30102.MW2P	30"	102"	56 lbs.	\$947.00
32102.MW1P	32"	102"	60 lbs.	\$915.00	(97.25)	32102.MW2P	32"	102"	60 lbs.	\$947.00
36102.MW1P	36"	102"	67 lbs.	\$915.00	(97.25)	36102.MW2P	36"	102"	67 lbs.	\$947.00
40102.MW1P	40"	102"	75 lbs.	\$915.00	(97.25)	40102.MW2P	40"	102"	75 lbs.	\$947.00
48102.MW1P	48"	102"	90 lbs.	\$1,034.00	(97.25)	48102.MW2P	48"	102"	90 lbs.	\$1,064.00
54102.MW1P	54"	102"	101 lbs.	\$1,734.00	(97.25)	54102.MW2P	54"	102"	101 lbs.	\$1,764.00
60102.MW1P	60"	102"	112 lbs.	\$1,795.00	(97.25)	60102.MW2P	60"	102"	112 lbs.	\$1,827.00
09105.MW1P	09"	105"	18 lbs.	\$766.00	(100.25)					
10105.MW1P	10"	105"	20 lbs.	\$766.00	(100.25)					
12105.MW1P	12"	105"	23 lbs.	\$766.00	(100.25)	12105.MW2P	12"	105"	23 lbs.	\$797.00
13105.MW1P	13"	105"	25 lbs.	\$766.00	(100.25)	13105.MW2P	13"	105"	25 lbs.	\$797.00
15105.MW1P	15"	105"	29 lbs.	\$772.00	(100.25)	15105.MW2P	15"	105"	29 lbs.	\$803.00
16105.MW1P	16"	105"	31 lbs.	\$772.00	(100.25)	16105.MW2P	16"	105"	31 lbs.	\$803.00
18105.MW1P	18"	105"	35 lbs.	\$772.00	(100.25)	18105.MW2P	18"	105"	35 lbs.	\$803.00
20105.MW1P	20"	105"	39 lbs.	\$772.00	(100.25)	20105.MW2P	20"	105"	39 lbs.	\$803.00
24105.MW1P	24"	105"	46 lbs.	\$853.00	(100.25)	24105.MW2P	24"	105"	46 lbs.	\$885.00
26105.MW1P	26"	105"	50 lbs.	\$853.00	(100.25)	26105.MW2P	26"	105"	50 lbs.	\$885.00
30105.MW1P	30"	105"	58 lbs.	\$915.00	(100.25)	30105.MW2P	30"	105"	58 lbs.	\$947.00
32105.MW1P	32"	105"	62 lbs.	\$915.00	(100.25)	32105.MW2P	32"	105"	62 lbs.	\$947.00
36105.MW1P	36"	105"	69 lbs.	\$915.00	(100.25)	36105.MW2P	36"	105"	69 lbs.	\$947.00
40105.MW1P	40"	105"	77 lbs.	\$915.00	(100.25)	40105.MW2P	40"	105"	77 lbs.	\$947.00
48105.MW1P	48"	105"	93 lbs.	\$1,034.00	(100.25)	48105.MW2P	48"	105"	93 lbs.	\$1,064.00
54105.MW1P	54"	105"	104 lbs.	\$1,734.00	(100.25)	54105.MW2P	54"	105"	104 lbs.	\$1,764.00
60105.MW1P	60"	105"	116 lbs.	\$1,795.00	(100.25)	60105.MW2P	60"	105"	116 lbs.	\$1,827.00

MW1P Models are drilled with a single hole for Electric Keypad.

MW2P Models are drilled with 2 holes for 2 Electric Keypads.

Prices reflect Standard Wilsonart Laminates.

Wilsonart Premium and High Definition Laminates are also available as a custom order. Call Customer Service for a quote.

POWERED LOW PROFILE END PANELS

High Pressure Laminate Self Edge

Powered Low Profile for Single Keypad						Powered Low Profile for Dual Keypads				
Part Number	Width	Height	Weight	List Price	Shelving Height	Part Number	Width	Height	Weight	List Price
09126.MW1P	09"	126"	21 lbs.	\$876.00	(121.25)					
10126.MW1P	10"	126"	24 lbs.	\$876.00	(121.25)					
12126.MW1P	12"	126"	28 lbs.	\$876.00	(121.25)	12126.MW2P	12"	126"	28 lbs.	\$906.00
13126.MW1P	13"	126"	30 lbs.	\$876.00	(121.25)	13126.MW2P	13"	126"	30 lbs.	\$906.00
15126.MW1P	15"	126"	35 lbs.	\$883.00	(121.25)	15126.MW2P	15"	126"	35 lbs.	\$913.00
16126.MW1P	16"	126"	37 lbs.	\$883.00	(121.25)	16126.MW2P	16"	126"	37 lbs.	\$913.00
18126.MW1P	18"	126"	42 lbs.	\$883.00	(121.25)	18126.MW2P	18"	126"	42 lbs.	\$913.00
20126.MW1P	20"	126"	46 lbs.	\$883.00	(121.25)	20126.MW2P	20"	126"	46 lbs.	\$913.00
24126.MW1P	24"	126"	56 lbs.	\$975.00	(121.25)	24126.MW2P	24"	126"	56 lbs.	\$1,007.00
26126.MW1P	26"	126"	60 lbs.	\$975.00	(121.25)	26126.MW2P	26"	126"	60 lbs.	\$1,007.00
30126.MW1P	30"	126"	69 lbs.	\$1,047.00	(121.25)	30126.MW2P	30"	126"	69 lbs.	\$1,077.00
32126.MW1P	32"	126"	74 lbs.	\$1,047.00	(121.25)	32126.MW2P	32"	126"	74 lbs.	\$1,077.00
36126.MW1P	36"	126"	83 lbs.	\$1,047.00	(121.25)	36126.MW2P	36"	126"	83 lbs.	\$1,077.00
40126.MW1P	40"	126"	93 lbs.	\$1,047.00	(121.25)	40126.MW2P	40"	126"	93 lbs.	\$1,077.00
48126.MW1P	48"	126"	111 lbs.	\$1,183.00	(121.25)	48126.MW2P	48"	126"	111 lbs.	\$1,214.00
54126.MW1P	54"	126"	125 lbs.	\$1,988.00	(121.25)	54126.MW2P	54"	126"	125 lbs.	\$2,018.00
60126.MW1P	60"	126"	139 lbs.	\$2,059.00	(121.25)	60126.MW2P	60"	126"	139 lbs.	\$2,091.00

MW1P Models are drilled with a single hole for Electric Keypad.

MW2P Models are drilled with 2 holes for 2 Electric Keypads.

Prices reflect Standard Wilsonart Laminates.

Wilsonart Premium and High Definition Laminates are also available as a custom order. Call Customer Service for a quote.

POWERED LOW PROFILE END PANELS

High Pressure Laminate Self Edge

Powered Low Profile Static					
Part Number	Width	Height	Weight	List Price	Shelving Height
09069.SWEP	09"	69"	12 lbs.	\$582.00	(64.25)
10069.SWEP	10"	69"	13 lbs.	\$582.00	(64.25)
12069.SWEP	12"	69"	15 lbs.	\$582.00	(64.25)
13069.SWEP	13"	69"	16 lbs.	\$582.00	(64.25)
15069.SWEP	15"	69"	19 lbs.	\$649.00	(64.25)
16069.SWEP	16"	69"	20 lbs.	\$649.00	(64.25)
18069.SWEP	18"	69"	23 lbs.	\$649.00	(64.25)
20069.SWEP	20"	69"	25 lbs.	\$649.00	(64.25)
24069.SWEP	24"	69"	30 lbs.	\$661.00	(64.25)
26069.SWEP	26"	69"	33 lbs.	\$661.00	(64.25)
30069.SWEP	30"	69"	38 lbs.	\$824.00	(64.25)
32069.SWEP	32"	69"	41 lbs.	\$824.00	(64.25)
36069.SWEP	36"	69"	46 lbs.	\$824.00	(64.25)
40069.SWEP	40"	69"	51 lbs.	\$824.00	(64.25)
48069.SWEP	48"	69"	61 lbs.	\$928.00	(64.25)
54069.SWEP	54"	69"	68 lbs.	\$1,374.00	(64.25)
60069.SWEP	60"	69"	76 lbs.	\$1,374.00	(64.25)
09081.SWEP	09"	81"	14 lbs.	\$582.00	(76.25)
10081.SWEP	10"	81"	15 lbs.	\$582.00	(76.25)
12081.SWEP	12"	81"	18 lbs.	\$582.00	(76.25)
13081.SWEP	13"	81"	19 lbs.	\$582.00	(76.25)
15081.SWEP	15"	81"	22 lbs.	\$649.00	(76.25)
16081.SWEP	16"	81"	24 lbs.	\$649.00	(76.25)
18081.SWEP	18"	81"	27 lbs.	\$649.00	(76.25)
20081.SWEP	20"	81"	30 lbs.	\$649.00	(76.25)
24081.SWEP	24"	81"	36 lbs.	\$661.00	(76.25)
26081.SWEP	26"	81"	39 lbs.	\$661.00	(76.25)
30081.SWEP	30"	81"	45 lbs.	\$824.00	(76.25)
32081.SWEP	32"	81"	48 lbs.	\$824.00	(76.25)
36081.SWEP	36"	81"	54 lbs.	\$824.00	(76.25)
40081.SWEP	40"	81"	60 lbs.	\$824.00	(76.25)
48081.SWEP	48"	81"	71 lbs.	\$928.00	(76.25)
54081.SWEP	54"	81"	80 lbs.	\$1,374.00	(76.25)
60081.SWEP	60"	81"	89 lbs.	\$1,374.00	(76.25)
09090.SWEP	09"	90"	15 lbs.	\$582.00	(85.25)
10090.SWEP	10"	90"	17 lbs.	\$582.00	(85.25)
12090.SWEP	12"	90"	20 lbs.	\$582.00	(85.25)
13090.SWEP	13"	90"	21 lbs.	\$582.00	(85.25)
15090.SWEP	15"	90"	25 lbs.	\$649.00	(85.25)
16090.SWEP	16"	90"	26 lbs.	\$649.00	(85.25)
18090.SWEP	18"	90"	30 lbs.	\$649.00	(85.25)
20090.SWEP	20"	90"	33 lbs.	\$649.00	(85.25)
24090.SWEP	24"	90"	40 lbs.	\$661.00	(85.25)
26090.SWEP	26"	90"	43 lbs.	\$661.00	(85.25)
30090.SWEP	30"	90"	50 lbs.	\$824.00	(85.25)
32090.SWEP	32"	90"	53 lbs.	\$824.00	(85.25)
36090.SWEP	36"	90"	60 lbs.	\$824.00	(85.25)
40090.SWEP	40"	90"	66 lbs.	\$824.00	(85.25)
48090.SWEP	48"	90"	79 lbs.	\$928.00	(85.25)
54090.SWEP	54"	90"	89 lbs.	\$1,374.00	(85.25)
60090.SWEP	60"	90"	99 lbs.	\$1,374.00	(85.25)

Prices reflect Standard Wilsonart Laminates.

Wilsonart Premium and High Definition Laminates are also available as a custom order. Call Customer Service for a quote.

POWERED LOW PROFILE END PANELS

High Pressure Laminate Self Edge

Powered Low Profile Static					
Part Number	Width	Height	Weight	List Price	Shelving Height
09093.SWEP	09"	93"	16 lbs.	\$582.00	(88.25)
10093.SWEP	10"	93"	17 lbs.	\$582.00	(88.25)
12093.SWEP	12"	93"	21 lbs.	\$582.00	(88.25)
13093.SWEP	13"	93"	22 lbs.	\$582.00	(88.25)
15093.SWEP	15"	93"	26 lbs.	\$649.00	(88.25)
16093.SWEP	16"	93"	27 lbs.	\$649.00	(88.25)
18093.SWEP	18"	93"	31 lbs.	\$649.00	(88.25)
20093.SWEP	20"	93"	34 lbs.	\$649.00	(88.25)
24093.SWEP	24"	93"	41 lbs.	\$661.00	(88.25)
26093.SWEP	26"	93"	44 lbs.	\$661.00	(88.25)
30093.SWEP	30"	93"	51 lbs.	\$824.00	(88.25)
32093.SWEP	32"	93"	55 lbs.	\$824.00	(88.25)
36093.SWEP	36"	93"	62 lbs.	\$824.00	(88.25)
40093.SWEP	40"	93"	68 lbs.	\$824.00	(88.25)
48093.SWEP	48"	93"	82 lbs.	\$928.00	(88.25)
54093.SWEP	54"	93"	92 lbs.	\$1,374.00	(88.25)
60093.SWEP	60"	93"	103 lbs.	\$1,374.00	(88.25)
09102.SWEP	09"	102"	17 lbs.	\$766.00	(97.25)
10102.SWEP	10"	102"	19 lbs.	\$766.00	(97.25)
12102.SWEP	12"	102"	22 lbs.	\$766.00	(97.25)
13102.SWEP	13"	102"	24 lbs.	\$766.00	(97.25)
15102.SWEP	15"	102"	28 lbs.	\$772.00	(97.25)
16102.SWEP	16"	102"	30 lbs.	\$772.00	(97.25)
18102.SWEP	18"	102"	34 lbs.	\$772.00	(97.25)
20102.SWEP	20"	102"	37 lbs.	\$772.00	(97.25)
24102.SWEP	24"	102"	45 lbs.	\$853.00	(97.25)
26102.SWEP	26"	102"	49 lbs.	\$853.00	(97.25)
30102.SWEP	30"	102"	56 lbs.	\$915.00	(97.25)
32102.SWEP	32"	102"	60 lbs.	\$915.00	(97.25)
36102.SWEP	36"	102"	67 lbs.	\$915.00	(97.25)
40102.SWEP	40"	102"	75 lbs.	\$915.00	(97.25)
48102.SWEP	48"	102"	90 lbs.	\$1,034.00	(97.25)
54102.SWEP	54"	102"	101 lbs.	\$1,533.00	(97.25)
60102.SWEP	60"	102"	112 lbs.	\$1,533.00	(97.25)
09105.SWEP	09"	105"	18 lbs.	\$766.00	(100.25)
10105.SWEP	10"	105"	20 lbs.	\$766.00	(100.25)
12105.SWEP	12"	105"	23 lbs.	\$766.00	(100.25)
13105.SWEP	13"	105"	25 lbs.	\$766.00	(100.25)
15105.SWEP	15"	105"	29 lbs.	\$772.00	(100.25)
16105.SWEP	16"	105"	31 lbs.	\$772.00	(100.25)
18105.SWEP	18"	105"	35 lbs.	\$772.00	(100.25)
20105.SWEP	20"	105"	39 lbs.	\$772.00	(100.25)
24105.SWEP	24"	105"	46 lbs.	\$853.00	(100.25)
26105.SWEP	26"	105"	50 lbs.	\$853.00	(100.25)
30105.SWEP	30"	105"	58 lbs.	\$915.00	(100.25)
32105.SWEP	32"	105"	62 lbs.	\$915.00	(100.25)
36105.SWEP	36"	105"	69 lbs.	\$915.00	(100.25)
40105.SWEP	40"	105"	77 lbs.	\$915.00	(100.25)
48105.SWEP	48"	105"	93 lbs.	\$1,034.00	(100.25)
54105.SWEP	54"	105"	104 lbs.	\$1,533.00	(100.25)
60105.SWEP	60"	105"	116 lbs.	\$1,533.00	(100.25)

Prices reflect Standard Wilsonart Laminates.

Wilsonart Premium and High Definition Laminates are also available as a custom order. Call Customer Service for a quote.

POWERED LOW PROFILE END PANELS

High Pressure Laminate Self Edge

Powered Low Profile Static					
Part Number	Width	Height	Weight	List Price	Shelving Height
09126.SWEP	09"	126"	21 lbs.	\$876.00	(121.25)
10126.SWEP	10"	126"	24 lbs.	\$876.00	(121.25)
12126.SWEP	12"	126"	28 lbs.	\$876.00	(121.25)
13126.SWEP	13"	126"	30 lbs.	\$876.00	(121.25)
15126.SWEP	15"	126"	35 lbs.	\$883.00	(121.25)
16126.SWEP	16"	126"	37 lbs.	\$883.00	(121.25)
18126.SWEP	18"	126"	42 lbs.	\$883.00	(121.25)
20126.SWEP	20"	126"	46 lbs.	\$883.00	(121.25)
24126.SWEP	24"	126"	56 lbs.	\$975.00	(121.25)
26126.SWEP	26"	126"	60 lbs.	\$975.00	(121.25)
30126.SWEP	30"	126"	69 lbs.	\$1,047.00	(121.25)
32126.SWEP	32"	126"	74 lbs.	\$1,047.00	(121.25)
36126.SWEP	36"	126"	83 lbs.	\$1,047.00	(121.25)
40126.SWEP	40"	126"	93 lbs.	\$1,047.00	(121.25)
48126.SWEP	48"	126"	111 lbs.	\$1,183.00	(121.25)
54126.SWEP	54"	126"	125 lbs.	\$1,756.00	(121.25)
60126.SWEP	60"	126"	139 lbs.	\$1,756.00	(121.25)

Prices reflect Standard Wilsonart Laminates.

Wilsonart Premium and High Definition Laminates are also available as a custom order. Call Customer Service for a quote.

1000 SERIES END PANELS

Steel

1000 Series Mechanical Assist					1000 Series Static					
Part Number	Width	Height	Weight	List Price	Shelving Height	Part Number	Width	Height	Weight	List Price
					(64.25)	09070.SSP	09"	70"	18 lbs.	\$312.00
					(64.25)	10070.SSP	10"	70"	20 lbs.	\$328.00
					(64.25)	12070.SSP	12"	70"	22 lbs.	\$342.00
					(64.25)	13070.SSP	13"	70"	24 lbs.	\$358.00
15070.MSP	15"	70"	26 lbs.	\$358.00	(64.25)	15070.SSP	15"	70"	26 lbs.	\$358.00
16070.MSP	16"	70"	27 lbs.	\$373.00	(64.25)	16070.SSP	16"	70"	27 lbs.	\$373.00
18070.MSP	18"	70"	30 lbs.	\$373.00	(64.25)	18070.SSP	18"	70"	30 lbs.	\$373.00
20070.MSP	20"	70"	32 lbs.	\$388.00	(64.25)	20070.SSP	20"	70"	32 lbs.	\$388.00
24070.MSP	24"	70"	37 lbs.	\$403.00	(64.25)	24070.SSP	24"	70"	37 lbs.	\$403.00
26070.MSP	26"	70"	40 lbs.	\$419.00	(64.25)	26070.SSP	26"	70"	40 lbs.	\$419.00
30070.MSP	30"	70"	45 lbs.	\$419.00	(64.25)	30070.SSP	30"	70"	45 lbs.	\$419.00
32070.MSP	32"	70"	47 lbs.	\$432.00	(64.25)	32070.SSP	32"	70"	47 lbs.	\$432.00
36070.MSP	36"	70"	52 lbs.	\$432.00	(64.25)	36070.SSP	36"	70"	52 lbs.	\$432.00
40070.MSP	40"	70"	57 lbs.	\$432.00	(64.25)	40070.SSP	40"	70"	57 lbs.	\$432.00
48070.MSP	48"	70"	67 lbs.	\$449.00	(64.25)	48070.SSP	48"	70"	67 lbs.	\$449.00
54070.MSP	54"	70"	75 lbs.	\$628.00	(64.25)	54070.SSP	54"	70"	75 lbs.	\$628.00
60070.MSP	60"	70"	82 lbs.	\$807.00	(64.25)	60070.SSP	60"	70"	82 lbs.	\$807.00
					(76.25)	09082.SSP	09"	82"	21 lbs.	\$312.00
					(76.25)	10082.SSP	10"	82"	23 lbs.	\$328.00
					(76.25)	12082.SSP	12"	82"	26 lbs.	\$342.00
					(76.25)	13082.SSP	13"	82"	27 lbs.	\$358.00
15082.MSP	15"	82"	30 lbs.	\$358.00	(76.25)	15082.SSP	15"	82"	30 lbs.	\$358.00
16082.MSP	16"	82"	32 lbs.	\$373.00	(76.25)	16082.SSP	16"	82"	32 lbs.	\$373.00
18082.MSP	18"	82"	35 lbs.	\$373.00	(76.25)	18082.SSP	18"	82"	35 lbs.	\$373.00
20082.MSP	20"	82"	38 lbs.	\$388.00	(76.25)	20082.SSP	20"	82"	38 lbs.	\$388.00
24082.MSP	24"	82"	43 lbs.	\$403.00	(76.25)	24082.SSP	24"	82"	43 lbs.	\$403.00
26082.MSP	26"	82"	46 lbs.	\$419.00	(76.25)	26082.SSP	26"	82"	46 lbs.	\$419.00
30082.MSP	30"	82"	52 lbs.	\$419.00	(76.25)	30082.SSP	30"	82"	52 lbs.	\$419.00
32082.MSP	32"	82"	55 lbs.	\$432.00	(76.25)	32082.SSP	32"	82"	55 lbs.	\$432.00
36082.MSP	36"	82"	61 lbs.	\$432.00	(76.25)	36082.SSP	36"	82"	61 lbs.	\$432.00
40082.MSP	40"	82"	67 lbs.	\$432.00	(76.25)	40082.SSP	40"	82"	67 lbs.	\$432.00
48082.MSP	48"	82"	78 lbs.	\$449.00	(76.25)	48082.SSP	48"	82"	78 lbs.	\$449.00
54082.MSP	54"	82"	87 lbs.	\$628.00	(76.25)	54082.SSP	54"	82"	87 lbs.	\$628.00
60082.MSP	60"	82"	96 lbs.	\$807.00	(76.25)	60082.SSP	60"	82"	96 lbs.	\$807.00
					(85.25)	09091.SSP	09"	91"	24 lbs.	\$312.00
					(85.25)	10091.SSP	10"	91"	25 lbs.	\$328.00
					(85.25)	12091.SSP	12"	91"	29 lbs.	\$342.00
					(85.25)	13091.SSP	13"	91"	30 lbs.	\$358.00
15091.MSP	15"	91"	33 lbs.	\$358.00	(85.25)	15091.SSP	15"	91"	33 lbs.	\$358.00
16091.MSP	16"	91"	35 lbs.	\$373.00	(85.25)	16091.SSP	16"	91"	35 lbs.	\$373.00
18091.MSP	18"	91"	38 lbs.	\$373.00	(85.25)	18091.SSP	18"	91"	38 lbs.	\$373.00
20091.MSP	20"	91"	41 lbs.	\$388.00	(85.25)	20091.SSP	20"	91"	41 lbs.	\$388.00
24091.MSP	24"	91"	48 lbs.	\$403.00	(85.25)	24091.SSP	24"	91"	48 lbs.	\$403.00
26091.MSP	26"	91"	51 lbs.	\$419.00	(85.25)	26091.SSP	26"	91"	51 lbs.	\$419.00
30091.MSP	30"	91"	58 lbs.	\$419.00	(85.25)	30091.SSP	30"	91"	58 lbs.	\$419.00
32091.MSP	32"	91"	61 lbs.	\$432.00	(85.25)	32091.SSP	32"	91"	61 lbs.	\$432.00
36091.MSP	36"	91"	67 lbs.	\$432.00	(85.25)	36091.SSP	36"	91"	67 lbs.	\$432.00
40091.MSP	40"	91"	74 lbs.	\$432.00	(85.25)	40091.SSP	40"	91"	74 lbs.	\$432.00
48091.MSP	48"	91"	86 lbs.	\$449.00	(85.25)	48091.SSP	48"	91"	86 lbs.	\$449.00
54091.MSP	54"	91"	96 lbs.	\$628.00	(85.25)	54091.SSP	54"	91"	96 lbs.	\$628.00
60091.MSP	60"	91"	106 lbs.	\$807.00	(85.25)	60091.SSP	60"	91"	106 lbs.	\$807.00

1000 SERIES END PANELS



Steel

1000 Series Mechanical Assist						1000 Series Static				
Part Number	Width	Height	Weight	List Price	Shelving Height	Part Number	Width	Height	Weight	List Price
					(88.25)	09094.SSP	09"	94"	24 lbs.	\$312.00
					(88.25)	10094.SSP	10"	94"	26 lbs.	\$328.00
					(88.25)	12094.SSP	12"	94"	29 lbs.	\$342.00
					(88.25)	13094.SSP	13"	94"	31 lbs.	\$358.00
15094.MSP	15"	94"	34 lbs.	\$358.00	(88.25)	15094.SSP	15"	94"	34 lbs.	\$358.00
16094.MSP	16"	94"	36 lbs.	\$373.00	(88.25)	16094.SSP	16"	94"	36 lbs.	\$373.00
18094.MSP	18"	94"	39 lbs.	\$373.00	(88.25)	18094.SSP	18"	94"	39 lbs.	\$373.00
20094.MSP	20"	94"	43 lbs.	\$388.00	(88.25)	20094.SSP	20"	94"	43 lbs.	\$388.00
24094.MSP	24"	94"	49 lbs.	\$403.00	(88.25)	24094.SSP	24"	94"	49 lbs.	\$403.00
26094.MSP	26"	94"	53 lbs.	\$419.00	(88.25)	26094.SSP	26"	94"	53 lbs.	\$419.00
30094.MSP	30"	94"	59 lbs.	\$419.00	(88.25)	30094.SSP	30"	94"	59 lbs.	\$419.00
32094.MSP	32"	94"	63 lbs.	\$432.00	(88.25)	32094.SSP	32"	94"	63 lbs.	\$432.00
36094.MSP	36"	94"	69 lbs.	\$432.00	(88.25)	36094.SSP	36"	94"	69 lbs.	\$432.00
40094.MSP	40"	94"	76 lbs.	\$432.00	(88.25)	40094.SSP	40"	94"	76 lbs.	\$432.00
48094.MSP	48"	94"	89 lbs.	\$449.00	(88.25)	48094.SSP	48"	94"	89 lbs.	\$449.00
54094.MSP	54"	94"	99 lbs.	\$628.00	(88.25)	54094.SSP	54"	94"	99 lbs.	\$628.00
60094.MSP	60"	94"	109 lbs.	\$807.00	(88.25)	60094.SSP	60"	94"	109 lbs.	\$807.00
					(97.25)	09103.SSP	09"	103"	27 lbs.	\$312.00
					(97.25)	10103.SSP	10"	103"	29 lbs.	\$328.00
					(97.25)	12103.SSP	12"	103"	32 lbs.	\$342.00
					(97.25)	13103.SSP	13"	103"	34 lbs.	\$358.00
15103.MSP	15"	103"	38 lbs.	\$358.00	(97.25)	15103.SSP	15"	103"	38 lbs.	\$358.00
16103.MSP	16"	103"	39 lbs.	\$373.00	(97.25)	16103.SSP	16"	103"	39 lbs.	\$373.00
18103.MSP	18"	103"	43 lbs.	\$373.00	(97.25)	18103.SSP	18"	103"	43 lbs.	\$373.00
20103.MSP	20"	103"	47 lbs.	\$388.00	(97.25)	20103.SSP	20"	103"	47 lbs.	\$388.00
24103.MSP	24"	103"	54 lbs.	\$403.00	(97.25)	24103.SSP	24"	103"	54 lbs.	\$403.00
26103.MSP	26"	103"	58 lbs.	\$419.00	(97.25)	26103.SSP	26"	103"	58 lbs.	\$419.00
30103.MSP	30"	103"	65 lbs.	\$419.00	(97.25)	30103.SSP	30"	103"	65 lbs.	\$419.00
32103.MSP	32"	103"	68 lbs.	\$432.00	(97.25)	32103.SSP	32"	103"	68 lbs.	\$432.00
36103.MSP	36"	103"	76 lbs.	\$432.00	(97.25)	36103.SSP	36"	103"	76 lbs.	\$432.00
40103.MSP	40"	103"	83 lbs.	\$432.00	(97.25)	40103.SSP	40"	103"	83 lbs.	\$432.00
48103.MSP	48"	103"	97 lbs.	\$449.00	(97.25)	48103.SSP	48"	103"	97 lbs.	\$449.00
54103.MSP	54"	103"	108 lbs.	\$628.00	(97.25)	54103.SSP	54"	103"	108 lbs.	\$628.00
60103.MSP	60"	103"	119 lbs.	\$807.00	(97.25)	60103.SSP	60"	103"	119 lbs.	\$807.00
					(100.25)	09106.SSP	09"	106"	27 lbs.	\$312.00
					(100.25)	10106.SSP	10"	106"	29 lbs.	\$328.00
					(100.25)	12106.SSP	12"	106"	33 lbs.	\$342.00
					(100.25)	13106.SSP	13"	106"	35 lbs.	\$358.00
15106.MSP	15"	106"	39 lbs.	\$358.00	(100.25)	15106.SSP	15"	106"	39 lbs.	\$358.00
16106.MSP	16"	106"	41 lbs.	\$373.00	(100.25)	16106.SSP	16"	106"	41 lbs.	\$373.00
18106.MSP	18"	106"	44 lbs.	\$373.00	(100.25)	18106.SSP	18"	106"	46 lbs.	\$373.00
20106.MSP	20"	106"	48 lbs.	\$388.00	(100.25)	20106.SSP	20"	106"	48 lbs.	\$388.00
24106.MSP	24"	106"	55 lbs.	\$403.00	(100.25)	24106.SSP	24"	106"	55 lbs.	\$403.00
26106.MSP	26"	106"	59 lbs.	\$419.00	(100.25)	26106.SSP	26"	106"	59 lbs.	\$419.00
30106.MSP	30"	106"	67 lbs.	\$419.00	(100.25)	30106.SSP	30"	106"	67 lbs.	\$419.00
32106.MSP	32"	106"	70 lbs.	\$432.00	(100.25)	32106.SSP	32"	106"	70 lbs.	\$432.00
36106.MSP	36"	106"	78 lbs.	\$432.00	(100.25)	36106.SSP	36"	106"	78 lbs.	\$432.00
40106.MSP	40"	106"	85 lbs.	\$432.00	(100.25)	40106.SSP	40"	106"	85 lbs.	\$432.00
48106.MSP	48"	106"	100 lbs.	\$449.00	(100.25)	48106.SSP	48"	106"	100 lbs.	\$449.00
54106.MSP	54"	106"	111 lbs.	\$628.00	(100.25)	54106.SSP	54"	106"	111 lbs.	\$628.00
60106.MSP	60"	106"	122 lbs.	\$807.00	(100.25)	60106.SSP	60"	106"	122 lbs.	\$807.00

1000 SERIES END PANELS

Steel

1000 Series Mechanical Assist						1000 Series Static				
Part Number	Width	Height	Weight	List Price	Shelving Height	Part Number	Width	Height	Weight	List Price
					(121.25)	09127.SSP	09"	127"	33 lbs.	\$380.00
					(121.25)	10127.SSP	10"	127"	35 lbs.	\$402.00
					(121.25)	12127.SSP	12"	127"	39 lbs.	\$417.00
					(121.25)	13127.SSP	13"	127"	42 lbs.	\$436.00
15127.MSP	15"	127"	46 lbs.	\$427.00	(121.25)	15127.SSP	15"	127"	46 lbs.	\$436.00
16127.MSP	16"	127"	48 lbs.	\$449.00	(121.25)	16127.SSP	16"	127"	48 lbs.	\$454.00
18127.MSP	18"	127"	53 lbs.	\$449.00	(121.25)	18127.SSP	18"	127"	53 lbs.	\$454.00
20127.MSP	20"	127"	57 lbs.	\$470.00	(121.25)	20127.SSP	20"	127"	57 lbs.	\$473.00
24127.MSP	24"	127"	66 lbs.	\$491.00	(121.25)	24127.SSP	24"	127"	66 lbs.	\$490.00
26127.MSP	26"	127"	70 lbs.	\$533.00	(121.25)	26127.SSP	26"	127"	70 lbs.	\$511.00
30127.MSP	30"	127"	79 lbs.	\$533.00	(121.25)	30127.SSP	30"	127"	79 lbs.	\$511.00
32127.MSP	32"	127"	84 lbs.	\$543.00	(121.25)	32127.SSP	32"	127"	84 lbs.	\$526.00
36127.MSP	36"	127"	93 lbs.	\$543.00	(121.25)	36127.SSP	36"	127"	93 lbs.	\$526.00
40127.MSP	40"	127"	101 lbs.	\$543.00	(121.25)	40127.SSP	40"	127"	101 lbs.	\$526.00
48127.MSP	48"	127"	119 lbs.	\$591.00	(121.25)	48127.SSP	48"	127"	119 lbs.	\$546.00
54127.MSP	54"	127"	133 lbs.	\$766.00	(121.25)	54127.SSP	54"	127"	133 lbs.	\$766.00
60127.MSP	60"	127"	146 lbs.	\$987.00	(121.25)	60127.SSP	60"	127"	146 lbs.	\$987.00

1000 SERIES END PANELS

Steel with Waist High Lock

1000 Series Mechanical Assist					
Part Number	Width	Height	Weight	List Price	Shelving Height
15070.MSP.FLCK	15"	70"	26 lbs.	\$358.00	(64.25)
16070.MSP.FLCK	16"	70"	27 lbs.	\$373.00	(64.25)
18070.MSP.FLCK	18"	70"	30 lbs.	\$373.00	(64.25)
20070.MSP.FLCK	20"	70"	32 lbs.	\$388.00	(64.25)
24070.MSP.FLCK	24"	70"	37 lbs.	\$403.00	(64.25)
26070.MSP.FLCK	26"	70"	40 lbs.	\$419.00	(64.25)
30070.MSP.FLCK	30"	70"	45 lbs.	\$419.00	(64.25)
32070.MSP.FLCK	32"	70"	47 lbs.	\$432.00	(64.25)
36070.MSP.FLCK	36"	70"	52 lbs.	\$432.00	(64.25)
40070.MSP.FLCK	40"	70"	57 lbs.	\$432.00	(64.25)
48070.MSP.FLCK	48"	70"	67 lbs.	\$449.00	(64.25)
54070.MSP.FLCK	54"	70"	75 lbs.	\$628.00	(64.25)
60070.MSP.FLCK	60"	70"	82 lbs.	\$807.00	(64.25)
15082.MSP.FLCK	15"	82"	30 lbs.	\$358.00	(76.25)
16082.MSP.FLCK	16"	82"	32 lbs.	\$373.00	(76.25)
18082.MSP.FLCK	18"	82"	35 lbs.	\$373.00	(76.25)
20082.MSP.FLCK	20"	82"	38 lbs.	\$388.00	(76.25)
24082.MSP.FLCK	24"	82"	43 lbs.	\$403.00	(76.25)
26082.MSP.FLCK	26"	82"	46 lbs.	\$419.00	(76.25)
30082.MSP.FLCK	30"	82"	52 lbs.	\$419.00	(76.25)
32082.MSP.FLCK	32"	82"	55 lbs.	\$432.00	(76.25)
36082.MSP.FLCK	36"	82"	61 lbs.	\$432.00	(76.25)
40082.MSP.FLCK	40"	82"	67 lbs.	\$432.00	(76.25)
48082.MSP.FLCK	48"	82"	78 lbs.	\$449.00	(76.25)
54082.MSP.FLCK	54"	82"	87 lbs.	\$628.00	(76.25)
60082.MSP.FLCK	60"	82"	96 lbs.	\$807.00	(76.25)
15091.MSP.FLCK	15"	91"	33 lbs.	\$358.00	(85.25)
16091.MSP.FLCK	16"	91"	35 lbs.	\$373.00	(85.25)
18091.MSP.FLCK	18"	91"	38 lbs.	\$373.00	(85.25)
20091.MSP.FLCK	20"	91"	41 lbs.	\$388.00	(85.25)
24091.MSP.FLCK	24"	91"	48 lbs.	\$403.00	(85.25)
26091.MSP.FLCK	26"	91"	51 lbs.	\$419.00	(85.25)
30091.MSP.FLCK	30"	91"	58 lbs.	\$419.00	(85.25)
32091.MSP.FLCK	32"	91"	61 lbs.	\$432.00	(85.25)
36091.MSP.FLCK	36"	91"	67 lbs.	\$432.00	(85.25)
40091.MSP.FLCK	40"	91"	74 lbs.	\$432.00	(85.25)
48091.MSP.FLCK	48"	91"	86 lbs.	\$449.00	(85.25)
54091.MSP.FLCK	54"	91"	96 lbs.	\$628.00	(85.25)
60091.MSP.FLCK	60"	91"	106 lbs.	\$807.00	(85.25)

1000 SERIES END PANELS

Steel with Waist High Lock

1000 Series Mechanical Assist					
Part Number	Width	Height	Weight	List Price	Shelving Height
15094.MSP.FLCK	15"	94"	34 lbs.	\$358.00	(88.25)
16094.MSP.FLCK	16"	94"	36 lbs.	\$373.00	(88.25)
18094.MSP.FLCK	18"	94"	39 lbs.	\$373.00	(88.25)
20094.MSP.FLCK	20"	94"	43 lbs.	\$388.00	(88.25)
24094.MSP.FLCK	24"	94"	49 lbs.	\$403.00	(88.25)
26094.MSP.FLCK	26"	94"	53 lbs.	\$419.00	(88.25)
30094.MSP.FLCK	30"	94"	59 lbs.	\$419.00	(88.25)
32094.MSP.FLCK	32"	94"	63 lbs.	\$432.00	(88.25)
36094.MSP.FLCK	36"	94"	69 lbs.	\$432.00	(88.25)
40094.MSP.FLCK	40"	94"	76 lbs.	\$432.00	(88.25)
48094.MSP.FLCK	48"	94"	89 lbs.	\$449.00	(88.25)
54094.MSP.FLCK	54"	94"	99 lbs.	\$628.00	(88.25)
60094.MSP.FLCK	60"	94"	109 lbs.	\$807.00	(88.25)
15103.MSP.FLCK	15"	103"	38 lbs.	\$358.00	(97.25)
16103.MSP.FLCK	16"	103"	39 lbs.	\$373.00	(97.25)
18103.MSP.FLCK	18"	103"	43 lbs.	\$373.00	(97.25)
20103.MSP.FLCK	20"	103"	47 lbs.	\$388.00	(97.25)
24103.MSP.FLCK	24"	103"	54 lbs.	\$403.00	(97.25)
26103.MSP.FLCK	26"	103"	58 lbs.	\$419.00	(97.25)
30103.MSP.FLCK	30"	103"	65 lbs.	\$419.00	(97.25)
32103.MSP.FLCK	32"	103"	68 lbs.	\$432.00	(97.25)
36103.MSP.FLCK	36"	103"	76 lbs.	\$432.00	(97.25)
40103.MSP.FLCK	40"	103"	83 lbs.	\$432.00	(97.25)
48103.MSP.FLCK	48"	103"	97 lbs.	\$449.00	(97.25)
54103.MSP.FLCK	54"	103"	108 lbs.	\$628.00	(97.25)
60103.MSP.FLCK	60"	103"	119 lbs.	\$807.00	(97.25)
15106.MSP.FLCK	15"	106"	39 lbs.	\$358.00	(100.25)
16106.MSP.FLCK	16"	106"	41 lbs.	\$373.00	(100.25)
18106.MSP.FLCK	18"	106"	44 lbs.	\$373.00	(100.25)
20106.MSP.FLCK	20"	106"	48 lbs.	\$388.00	(100.25)
24106.MSP.FLCK	24"	106"	56 lbs.	\$403.00	(100.25)
26106.MSP.FLCK	26"	106"	59 lbs.	\$419.00	(100.25)
30106.MSP.FLCK	30"	106"	67 lbs.	\$419.00	(100.25)
32106.MSP.FLCK	32"	106"	70 lbs.	\$432.00	(100.25)
36106.MSP.FLCK	36"	106"	78 lbs.	\$432.00	(100.25)
40106.MSP.FLCK	40"	106"	85 lbs.	\$432.00	(100.25)
48106.MSP.FLCK	48"	106"	100 lbs.	\$449.00	(100.25)
54106.MSP.FLCK	54"	106"	111 lbs.	\$628.00	(100.25)
60106.MSP.FLCK	60"	106"	122 lbs.	\$807.00	(100.25)

1000 SERIES END PANELS

Steel with Waist High Lock

1000 Series Mechanical Assist					
Part Number	Width	Height	Weight	List Price	Shelving Height
15127.MSP.FLCK	15"	127"	46 lbs.	\$427.00	(121.25)
16127.MSP.FLCK	16"	127"	48 lbs.	\$449.00	(121.25)
18127.MSP.FLCK	18"	127"	53 lbs.	\$449.00	(121.25)
20127.MSP.FLCK	20"	127"	57 lbs.	\$470.00	(121.25)
24127.MSP.FLCK	24"	127"	66 lbs.	\$491.00	(121.25)
26127.MSP.FLCK	26"	127"	70 lbs.	\$533.00	(121.25)
30127.MSP.FLCK	30"	127"	79 lbs.	\$533.00	(121.25)
32127.MSP.FLCK	32"	127"	84 lbs.	\$543.00	(121.25)
36127.MSP.FLCK	36"	127"	93 lbs.	\$543.00	(121.25)
40127.MSP.FLCK	40"	127"	101 lbs.	\$543.00	(121.25)
48127.MSP.FLCK	48"	127"	119 lbs.	\$591.00	(121.25)
54127.MSP.FLCK	54"	127"	133 lbs.	\$766.00	(121.25)
60127.MSP.FLCK	60"	127"	146 lbs.	\$987.00	(121.25)

1000 SERIES END PANELS

Low Pressure Laminate with Composite Edge

1000 Series Mechanical Assist						1000 Series Static				
Part Number	Width	Height	Weight	List Price	Shelving Height	Part Number	Width	Height	Weight	List Price
					(64.25)	09070.SLP	09"	70"	19 lbs.	\$360.00
					(64.25)	10070.SLP	10"	70"	21 lbs.	\$360.00
					(64.25)	12070.SLP	12"	70"	24 lbs.	\$382.00
					(64.25)	13070.SLP	13"	70"	26 lbs.	\$382.00
15070.MLP	15"	70"	29 lbs.	\$426.00	(64.25)	15070.SLP	15"	70"	29 lbs.	\$426.00
16070.MLP	16"	70"	31 lbs.	\$426.00	(64.25)	16070.SLP	16"	70"	31 lbs.	\$426.00
18070.MLP	18"	70"	34 lbs.	\$442.00	(64.25)	18070.SLP	18"	70"	34 lbs.	\$442.00
20070.MLP	20"	70"	38 lbs.	\$453.00	(64.25)	20070.SLP	20"	70"	38 lbs.	\$453.00
24070.MLP	24"	70"	44 lbs.	\$476.00	(64.25)	24070.SLP	24"	70"	44 lbs.	\$476.00
26070.MLP	26"	70"	48 lbs.	\$566.00	(64.25)	26070.SLP	26"	70"	48 lbs.	\$566.00
30070.MLP	30"	70"	54 lbs.	\$566.00	(64.25)	30070.SLP	30"	70"	54 lbs.	\$566.00
32070.MLP	32"	70"	58 lbs.	\$595.00	(64.25)	32070.SLP	32"	70"	58 lbs.	\$595.00
36070.MLP	36"	70"	64 lbs.	\$595.00	(64.25)	36070.SLP	36"	70"	64 lbs.	\$595.00
40070.MLP	40"	70"	71 lbs.	\$671.00	(64.25)	40070.SLP	40"	70"	71 lbs.	\$671.00
48070.MLP	48"	70"	84 lbs.	\$671.00	(64.25)	48070.SLP	48"	70"	84 lbs.	\$671.00
54070.MLP	54"	70"	95 lbs.	\$756.00	(64.25)	54070.SLP	54"	70"	95 lbs.	\$756.00
60070.MLP	60"	70"	105 lbs.	\$756.00	(64.25)	60070.SLP	60"	70"	105 lbs.	\$756.00
					(76.25)	09082.SLP	09"	82"	22 lbs.	\$360.00
					(76.25)	10082.SLP	10"	82"	24 lbs.	\$360.00
					(76.25)	12082.SLP	12"	82"	28 lbs.	\$382.00
					(76.25)	13082.SLP	13"	82"	30 lbs.	\$382.00
15082.MLP	15"	82"	34 lbs.	\$426.00	(76.25)	15082.SLP	15"	82"	34 lbs.	\$426.00
16082.MLP	16"	82"	36 lbs.	\$426.00	(76.25)	16082.SLP	16"	82"	36 lbs.	\$426.00
18082.MLP	18"	82"	40 lbs.	\$442.00	(76.25)	18082.SLP	18"	82"	40 lbs.	\$442.00
20082.MLP	20"	82"	44 lbs.	\$453.00	(76.25)	20082.SLP	20"	82"	44 lbs.	\$453.00
24082.MLP	24"	82"	52 lbs.	\$476.00	(76.25)	24082.SLP	24"	82"	52 lbs.	\$476.00
26082.MLP	26"	82"	56 lbs.	\$566.00	(76.25)	26082.SLP	26"	82"	56 lbs.	\$566.00
30082.MLP	30"	82"	64 lbs.	\$566.00	(76.25)	30082.SLP	30"	82"	64 lbs.	\$566.00
32082.MLP	32"	82"	67 lbs.	\$595.00	(76.25)	32082.SLP	32"	82"	67 lbs.	\$595.00
36082.MLP	36"	82"	75 lbs.	\$595.00	(76.25)	36082.SLP	36"	82"	75 lbs.	\$595.00
40082.MLP	40"	82"	83 lbs.	\$671.00	(76.25)	40082.SLP	40"	82"	83 lbs.	\$671.00
48082.MLP	48"	82"	99 lbs.	\$671.00	(76.25)	48082.SLP	48"	82"	99 lbs.	\$671.00
54082.MLP	54"	82"	111 lbs.	\$756.00	(76.25)	54082.SLP	54"	82"	111 lbs.	\$756.00
60082.MLP	60"	82"	122 lbs.	\$756.00	(76.25)	60082.SLP	60"	82"	122 lbs.	\$756.00
					(85.25)	09091.SLP	09"	91"	24 lbs.	\$360.00
					(85.25)	10091.SLP	10"	91"	26 lbs.	\$360.00
					(85.25)	12091.SLP	12"	91"	30 lbs.	\$382.00
					(85.25)	13091.SLP	13"	91"	32 lbs.	\$382.00
15091.MLP	15"	91"	37 lbs.	\$426.00	(85.25)	15091.SLP	15"	91"	37 lbs.	\$426.00
16091.MLP	16"	91"	39 lbs.	\$426.00	(85.25)	16091.SLP	16"	91"	39 lbs.	\$426.00
18091.MLP	18"	91"	43 lbs.	\$442.00	(85.25)	18091.SLP	18"	91"	43 lbs.	\$442.00
20091.MLP	20"	91"	47 lbs.	\$453.00	(85.25)	20091.SLP	20"	91"	47 lbs.	\$453.00
24091.MLP	24"	91"	56 lbs.	\$476.00	(85.25)	24091.SLP	24"	91"	56 lbs.	\$476.00
26091.MLP	26"	91"	60 lbs.	\$566.00	(85.25)	26091.SLP	26"	91"	60 lbs.	\$566.00
30091.MLP	30"	91"	68 lbs.	\$566.00	(85.25)	30091.SLP	30"	91"	68 lbs.	\$566.00
32091.MLP	32"	91"	72 lbs.	\$595.00	(85.25)	32091.SLP	32"	91"	72 lbs.	\$595.00
36091.MLP	36"	91"	81 lbs.	\$595.00	(85.25)	36091.SLP	36"	91"	81 lbs.	\$595.00
40091.MLP	40"	91"	89 lbs.	\$671.00	(85.25)	40091.SLP	40"	91"	89 lbs.	\$671.00
48091.MLP	48"	91"	106 lbs.	\$671.00	(85.25)	48091.SLP	48"	91"	106 lbs.	\$671.00
54091.MLP	54"	91"	119 lbs.	\$756.00	(85.25)	54091.SLP	54"	91"	119 lbs.	\$756.00
60091.MLP	60"	91"	131 lbs.	\$756.00	(85.25)	60091.SLP	60"	91"	131 lbs.	\$756.00

Low Pressure Laminate Options Include: Antique White, Black, Fog Gray, Manitoba Maple.

1000 SERIES END PANELS

Low Pressure Laminate with Composite Edge

1000 Series Mechanical Assist						1000 Series Static				
Part Number	Width	Height	Weight	List Price	Shelving Height	Part Number	Width	Height	Weight	List Price
					(88.25)	09094.SLP	09"	94"	25 lbs.	\$360.00
					(88.25)	10094.SLP	10"	94"	27 lbs.	\$360.00
					(88.25)	12094.SLP	12"	94"	31 lbs.	\$382.00
					(88.25)	13094.SLP	13"	94"	33 lbs.	\$382.00
15094.MLP	15"	94"	38 lbs.	\$426.00	(88.25)	15094.SLP	15"	94"	38 lbs.	\$426.00
16094.MLP	16"	94"	40 lbs.	\$426.00	(88.25)	16094.SLP	16"	94"	40 lbs.	\$426.00
18094.MLP	18"	94"	44 lbs.	\$442.00	(88.25)	18094.SLP	18"	94"	44 lbs.	\$442.00
20094.MLP	20"	94"	49 lbs.	\$453.00	(88.25)	20094.SLP	20"	94"	49 lbs.	\$453.00
24094.MLP	24"	94"	57 lbs.	\$476.00	(88.25)	24094.SLP	24"	94"	57 lbs.	\$476.00
26094.MLP	26"	94"	62 lbs.	\$566.00	(88.25)	26094.SLP	26"	94"	62 lbs.	\$566.00
30094.MLP	30"	94"	71 lbs.	\$566.00	(88.25)	30094.SLP	30"	94"	71 lbs.	\$566.00
32094.MLP	32"	94"	75 lbs.	\$595.00	(88.25)	32094.SLP	32"	94"	75 lbs.	\$595.00
36094.MLP	36"	94"	84 lbs.	\$595.00	(88.25)	36094.SLP	36"	94"	84 lbs.	\$595.00
40094.MLP	40"	94"	92 lbs.	\$671.00	(88.25)	40094.SLP	40"	94"	92 lbs.	\$671.00
48094.MLP	48"	94"	110 lbs.	\$671.00	(88.25)	48094.SLP	48"	94"	110 lbs.	\$671.00
54094.MLP	54"	94"	123 lbs.	\$756.00	(88.25)	54094.SLP	54"	94"	123 lbs.	\$756.00
60094.MLP	60"	94"	136 lbs.	\$756.00	(88.25)	60094.SLP	60"	94"	136 lbs.	\$756.00
					(97.25)	09103.SLP	09"	103"	27 lbs.	\$382.00
					(97.25)	10103.SLP	10"	103"	30 lbs.	\$382.00
					(97.25)	12103.SLP	12"	103"	34 lbs.	\$407.00
					(97.25)	13103.SLP	13"	103"	37 lbs.	\$407.00
15103.MLP	15"	103"	42 lbs.	\$456.00	(97.25)	15103.SLP	15"	103"	42 lbs.	\$456.00
16103.MLP	16"	103"	44 lbs.	\$456.00	(97.25)	16103.SLP	16"	103"	44 lbs.	\$456.00
18103.MLP	18"	103"	49 lbs.	\$477.00	(97.25)	18103.SLP	18"	103"	49 lbs.	\$477.00
20103.MLP	20"	103"	54 lbs.	\$489.00	(97.25)	20103.SLP	20"	103"	54 lbs.	\$489.00
24103.MLP	24"	103"	63 lbs.	\$519.00	(97.25)	24103.SLP	24"	103"	63 lbs.	\$519.00
26103.MLP	26"	103"	68 lbs.	\$618.00	(97.25)	26103.SLP	26"	103"	68 lbs.	\$618.00
30103.MLP	30"	103"	77 lbs.	\$618.00	(97.25)	30103.SLP	30"	103"	77 lbs.	\$618.00
32103.MLP	32"	103"	82 lbs.	\$653.00	(97.25)	32103.SLP	32"	103"	82 lbs.	\$653.00
36103.MLP	36"	103"	92 lbs.	\$653.00	(97.25)	36103.SLP	36"	103"	92 lbs.	\$653.00
40103.MLP	40"	103"	101 lbs.	\$750.00	(97.25)	40103.SLP	40"	103"	101 lbs.	\$750.00
48103.MLP	48"	103"	121 lbs.	\$750.00	(97.25)	48103.SLP	48"	103"	121 lbs.	\$750.00
54103.MLP	54"	103"	135 lbs.	\$847.00	(97.25)	54103.SLP	54"	103"	135 lbs.	\$847.00
60103.MLP	60"	103"	149 lbs.	\$847.00	(97.25)	60103.SLP	60"	103"	149 lbs.	\$847.00
					(100.25)	09106.SLP	09"	106"	28 lbs.	\$382.00
					(100.25)	10106.SLP	10"	106"	30 lbs.	\$382.00
					(100.25)	12106.SLP	12"	106"	35 lbs.	\$407.00
					(100.25)	13106.SLP	13"	106"	38 lbs.	\$407.00
15106.MLP	15"	106"	43 lbs.	\$456.00	(100.25)	15106.SLP	15"	106"	43 lbs.	\$456.00
16106.MLP	16"	106"	45 lbs.	\$456.00	(100.25)	16106.SLP	16"	106"	45 lbs.	\$456.00
18106.MLP	18"	106"	50 lbs.	\$477.00	(100.25)	18106.SLP	18"	106"	50 lbs.	\$477.00
20106.MLP	20"	106"	55 lbs.	\$489.00	(100.25)	20106.SLP	20"	106"	55 lbs.	\$489.00
24106.MLP	24"	106"	65 lbs.	\$519.00	(100.25)	24106.SLP	24"	106"	65 lbs.	\$519.00
26106.MLP	26"	106"	70 lbs.	\$618.00	(100.25)	26106.SLP	26"	106"	70 lbs.	\$618.00
30106.MLP	30"	106"	80 lbs.	\$618.00	(100.25)	30106.SLP	30"	106"	80 lbs.	\$618.00
32106.MLP	32"	106"	85 lbs.	\$653.00	(100.25)	32106.SLP	32"	106"	85 lbs.	\$653.00
36106.MLP	36"	106"	95 lbs.	\$653.00	(100.25)	36106.SLP	36"	106"	95 lbs.	\$653.00
40106.MLP	40"	106"	104 lbs.	\$750.00	(100.25)	40106.SLP	40"	106"	104 lbs.	\$750.00
48106.MLP	48"	106"	124 lbs.	\$750.00	(100.25)	48106.SLP	48"	106"	124 lbs.	\$750.00
54106.MLP	54"	106"	139 lbs.	\$847.00	(100.25)	54106.SLP	54"	106"	139 lbs.	\$847.00
60106.MLP	60"	106"	154 lbs.	\$847.00	(100.25)	60106.SLP	60"	106"	154 lbs.	\$847.00

Low Pressure Laminate Options Include: Antique White, Black, Fog Gray, Manitoba Maple.

1000 SERIES END PANELS

Low Pressure Laminate with Composite Edge

1000 Series Mechanical Assist						1000 Series Static				
Part Number	Width	Height	Weight	List Price	Shelving Height	Part Number	Width	Height	Weight	List Price
					(121.25)	09127.SLP	09"	127"	34 lbs.	\$463.00
					(121.25)	10127.SLP	10"	127"	37 lbs.	\$463.00
					(121.25)	12127.SLP	12"	127"	43 lbs.	\$490.00
					(121.25)	13127.SLP	13"	127"	46 lbs.	\$490.00
15127.MLP	15"	127"	52 lbs.	\$546.00	(121.25)	15127.SLP	15"	127"	52 lbs.	\$546.00
16127.MLP	16"	127"	54 lbs.	\$546.00	(121.25)	16127.SLP	16"	127"	54 lbs.	\$546.00
18127.MLP	18"	127"	60 lbs.	\$572.00	(121.25)	18127.SLP	18"	127"	60 lbs.	\$572.00
20127.MLP	20"	127"	66 lbs.	\$585.00	(121.25)	20127.SLP	20"	127"	66 lbs.	\$585.00
24127.MLP	24"	127"	78 lbs.	\$619.00	(121.25)	24127.SLP	24"	127"	78 lbs.	\$619.00
26127.MLP	26"	127"	84 lbs.	\$733.00	(121.25)	26127.SLP	26"	127"	84 lbs.	\$733.00
30127.MLP	30"	127"	96 lbs.	\$733.00	(121.25)	30127.SLP	30"	127"	96 lbs.	\$733.00
32127.MLP	32"	127"	102 lbs.	\$775.00	(121.25)	32127.SLP	32"	127"	102 lbs.	\$775.00
36127.MLP	36"	127"	114 lbs.	\$775.00	(121.25)	36127.SLP	36"	127"	114 lbs.	\$775.00
40127.MLP	40"	127"	126 lbs.	\$886.00	(121.25)	40127.SLP	40"	127"	126 lbs.	\$886.00
48127.MLP	48"	127"	149 lbs.	\$886.00	(121.25)	48127.SLP	48"	127"	149 lbs.	\$886.00
54127.MLP	54"	127"	167 lbs.	\$996.00	(121.25)	54127.SLP	54"	127"	167 lbs.	\$996.00
60127.MLP	60"	127"	185 lbs.	\$996.00	(121.25)	60127.SLP	60"	127"	185 lbs.	\$996.00

Low Pressure Laminate Options Include: Antique White, Black, Fog Gray, Manitoba Maple.

1000 SERIES END PANELS

Low Pressure Laminate with Composite Edge and Waist High Lock

1000 Series Mechanical Assist					
Part Number	Width	Height	Weight	List Price	Shelving Height
15070.MLP.FLCK	15"	70"	29 lbs.	\$426.00	(64.25)
16070.MLP.FLCK	16"	70"	31 lbs.	\$426.00	(64.25)
18070.MLP.FLCK	18"	70"	34 lbs.	\$442.00	(64.25)
20070.MLP.FLCK	20"	70"	38 lbs.	\$453.00	(64.25)
24070.MLP.FLCK	24"	70"	44 lbs.	\$476.00	(64.25)
26070.MLP.FLCK	26"	70"	48 lbs.	\$566.00	(64.25)
30070.MLP.FLCK	30"	70"	54 lbs.	\$566.00	(64.25)
32070.MLP.FLCK	32"	70"	58 lbs.	\$595.00	(64.25)
36070.MLP.FLCK	36"	70"	64 lbs.	\$595.00	(64.25)
40070.MLP.FLCK	40"	70"	71 lbs.	\$671.00	(64.25)
48070.MLP.FLCK	48"	70"	84 lbs.	\$671.00	(64.25)
54070.MLP.FLCK	54"	70"	95 lbs.	\$756.00	(64.25)
60070.MLP.FLCK	60"	70"	105 lbs.	\$756.00	(64.25)
15082.MLP.FLCK	15"	82"	34 lbs.	\$426.00	(76.25)
16082.MLP.FLCK	16"	82"	36 lbs.	\$426.00	(76.25)
18082.MLP.FLCK	18"	82"	40 lbs.	\$442.00	(76.25)
20082.MLP.FLCK	20"	82"	44 lbs.	\$453.00	(76.25)
24082.MLP.FLCK	24"	82"	52 lbs.	\$476.00	(76.25)
26082.MLP.FLCK	26"	82"	56 lbs.	\$566.00	(76.25)
30082.MLP.FLCK	30"	82"	64 lbs.	\$566.00	(76.25)
32082.MLP.FLCK	32"	82"	67 lbs.	\$595.00	(76.25)
36082.MLP.FLCK	36"	82"	75 lbs.	\$595.00	(76.25)
40082.MLP.FLCK	40"	82"	83 lbs.	\$671.00	(76.25)
48082.MLP.FLCK	48"	82"	99 lbs.	\$671.00	(76.25)
54082.MLP.FLCK	54"	82"	111 lbs.	\$756.00	(76.25)
60082.MLP.FLCK	60"	82"	122 lbs.	\$756.00	(76.25)
15091.MLP.FLCK	15"	91"	37 lbs.	\$426.00	(85.25)
16091.MLP.FLCK	16"	91"	39 lbs.	\$426.00	(85.25)
18091.MLP.FLCK	18"	91"	43 lbs.	\$442.00	(85.25)
20091.MLP.FLCK	20"	91"	47 lbs.	\$453.00	(85.25)
24091.MLP.FLCK	24"	91"	56 lbs.	\$476.00	(85.25)
26091.MLP.FLCK	26"	91"	60 lbs.	\$566.00	(85.25)
30091.MLP.FLCK	30"	91"	68 lbs.	\$566.00	(85.25)
32091.MLP.FLCK	32"	91"	72 lbs.	\$595.00	(85.25)
36091.MLP.FLCK	36"	91"	81 lbs.	\$595.00	(85.25)
40091.MLP.FLCK	40"	91"	89 lbs.	\$671.00	(85.25)
48091.MLP.FLCK	48"	91"	106 lbs.	\$671.00	(85.25)
54091.MLP.FLCK	54"	91"	119 lbs.	\$756.00	(85.25)
60091.MLP.FLCK	60"	91"	131 lbs.	\$756.00	(85.25)

Low Pressure Laminate Options Include: Antique White, Black, Fog Gray, Manitoba Maple.

1000 SERIES END PANELS

Low Pressure Laminate with Composite Edge and Waist High Lock

1000 Series Mechanical Assist					
Part Number	Width	Height	Weight	List Price	Shelving Height
15094.MLP.FLCK	15"	94"	38 lbs.	\$426.00	(88.25)
16094.MLP.FLCK	16"	94"	40 lbs.	\$426.00	(88.25)
18094.MLP.FLCK	18"	94"	44 lbs.	\$442.00	(88.25)
20094.MLP.FLCK	20"	94"	49 lbs.	\$453.00	(88.25)
24094.MLP.FLCK	24"	94"	57 lbs.	\$476.00	(88.25)
26094.MLP.FLCK	26"	94"	62 lbs.	\$566.00	(88.25)
30094.MLP.FLCK	30"	94"	71 lbs.	\$566.00	(88.25)
32094.MLP.FLCK	32"	94"	75 lbs.	\$595.00	(88.25)
36094.MLP.FLCK	36"	94"	84 lbs.	\$595.00	(88.25)
40094.MLP.FLCK	40"	94"	92 lbs.	\$671.00	(88.25)
48094.MLP.FLCK	48"	94"	110 lbs.	\$671.00	(88.25)
54094.MLP.FLCK	54"	94"	123 lbs.	\$756.00	(88.25)
60094.MLP.FLCK	60"	94"	136 lbs.	\$756.00	(88.25)
15103.MLP.FLCK	15"	103"	42 lbs.	\$456.00	(97.25)
16103.MLP.FLCK	16"	103"	44 lbs.	\$456.00	(97.25)
18103.MLP.FLCK	18"	103"	49 lbs.	\$477.00	(97.25)
20103.MLP.FLCK	20"	103"	54 lbs.	\$489.00	(97.25)
24103.MLP.FLCK	24"	103"	63 lbs.	\$519.00	(97.25)
26103.MLP.FLCK	26"	103"	68 lbs.	\$618.00	(97.25)
30103.MLP.FLCK	30"	103"	77 lbs.	\$618.00	(97.25)
32103.MLP.FLCK	32"	103"	82 lbs.	\$653.00	(97.25)
36103.MLP.FLCK	36"	103"	92 lbs.	\$653.00	(97.25)
40103.MLP.FLCK	40"	103"	101 lbs.	\$750.00	(97.25)
48103.MLP.FLCK	48"	103"	121 lbs.	\$750.00	(97.25)
54103.MLP.FLCK	54"	103"	135 lbs.	\$847.00	(97.25)
60103.MLP.FLCK	60"	103"	149 lbs.	\$847.00	(97.25)
15106.MLP.FLCK	15"	106"	43 lbs.	\$456.00	(100.25)
16106.MLP.FLCK	16"	106"	45 lbs.	\$456.00	(100.25)
18106.MLP.FLCK	18"	106"	50 lbs.	\$477.00	(100.25)
20106.MLP.FLCK	20"	106"	55 lbs.	\$489.00	(100.25)
24106.MLP.FLCK	24"	106"	65 lbs.	\$519.00	(100.25)
26106.MLP.FLCK	26"	106"	70 lbs.	\$618.00	(100.25)
30106.MLP.FLCK	30"	106"	80 lbs.	\$618.00	(100.25)
32106.MLP.FLCK	32"	106"	85 lbs.	\$653.00	(100.25)
36106.MLP.FLCK	36"	106"	95 lbs.	\$653.00	(100.25)
40106.MLP.FLCK	40"	106"	104 lbs.	\$750.00	(100.25)
48106.MLP.FLCK	48"	106"	124 lbs.	\$750.00	(100.25)
54106.MLP.FLCK	54"	106"	139 lbs.	\$847.00	(100.25)
60106.MLP.FLCK	60"	106"	154 lbs.	\$847.00	(100.25)

Low Pressure Laminate Options Include: Antique White, Black, Fog Gray, Manitoba Maple.

1000 SERIES END PANELS

Low Pressure Laminate with Composite Edge and Waist High Lock

1000 Series Mechanical Assist					
Part Number	Width	Height	Weight	List Price	Shelving Height
15127.MLP.FLCK	15"	127"	52 lbs.	\$546.00	(121.25)
16127.MLP.FLCK	16"	127"	54 lbs.	\$546.00	(121.25)
18127.MLP.FLCK	18"	127"	60 lbs.	\$572.00	(121.25)
20127.MLP.FLCK	20"	127"	66 lbs.	\$585.00	(121.25)
24127.MLP.FLCK	24"	127"	78 lbs.	\$619.00	(121.25)
26127.MLP.FLCK	26"	127"	84 lbs.	\$733.00	(121.25)
30127.MLP.FLCK	30"	127"	96 lbs.	\$733.00	(121.25)
32127.MLP.FLCK	32"	127"	102 lbs.	\$775.00	(121.25)
36127.MLP.FLCK	36"	127"	114 lbs.	\$775.00	(121.25)
40127.MLP.FLCK	40"	127"	126 lbs.	\$886.00	(121.25)
48127.MLP.FLCK	48"	127"	149 lbs.	\$886.00	(121.25)
54127.MLP.FLCK	54"	127"	167 lbs.	\$996.00	(121.25)
60127.MLP.FLCK	60"	127"	185 lbs.	\$996.00	(121.25)

Low Pressure Laminate Options Include: Antique White, Black, Fog Gray, Manitoba Maple.

1000 SERIES END PANELS

High Pressure Laminate with Composite Edge

1000 Series Mechanical Assist					1000 Series Static					
Part Number	Width	Height	Weight	List Price	Shelving Height	Part Number	Width	Height	Weight	List Price
					(64.25)	09070.SHP	09"	70"	19 lbs.	\$414.00
					(64.25)	10070.SHP	10"	70"	21 lbs.	\$414.00
					(64.25)	12070.SHP	12"	70"	24 lbs.	\$414.00
					(64.25)	13070.SHP	13"	70"	26 lbs.	\$414.00
15070.MHP	15"	70"	29 lbs.	\$432.00	(64.25)	15070.SHP	15"	70"	29 lbs.	\$432.00
16070.MHP	16"	70"	31 lbs.	\$432.00	(64.25)	16070.SHP	16"	70"	31 lbs.	\$432.00
18070.MHP	18"	70"	34 lbs.	\$449.00	(64.25)	18070.SHP	18"	70"	34 lbs.	\$449.00
20070.MHP	20"	70"	38 lbs.	\$460.00	(64.25)	20070.SHP	20"	70"	38 lbs.	\$460.00
24070.MHP	24"	70"	44 lbs.	\$483.00	(64.25)	24070.SHP	24"	70"	44 lbs.	\$483.00
26070.MHP	26"	70"	48 lbs.	\$559.00	(64.25)	26070.SHP	26"	70"	48 lbs.	\$559.00
30070.MHP	30"	70"	54 lbs.	\$559.00	(64.25)	30070.SHP	30"	70"	54 lbs.	\$559.00
32070.MHP	32"	70"	58 lbs.	\$585.00	(64.25)	32070.SHP	32"	70"	58 lbs.	\$585.00
36070.MHP	36"	70"	64 lbs.	\$585.00	(64.25)	36070.SHP	36"	70"	64 lbs.	\$585.00
40070.MHP	40"	70"	71 lbs.	\$658.00	(64.25)	40070.SHP	40"	70"	71 lbs.	\$658.00
48070.MHP	48"	70"	84 lbs.	\$658.00	(64.25)	48070.SHP	48"	70"	84 lbs.	\$650.00
54070.MHP	54"	70"	95 lbs.	\$742.00	(64.25)	54070.SHP	54"	70"	95 lbs.	\$742.00
60070.MHP	60"	70"	105 lbs.	\$742.00	(64.25)	60070.SHP	60"	70"	105 lbs.	\$742.00
					(76.25)	09082.SHP	09"	82"	22 lbs.	\$414.00
					(76.25)	10082.SHP	10"	82"	24 lbs.	\$414.00
					(76.25)	12082.SHP	12"	82"	28 lbs.	\$414.00
					(76.25)	13082.SHP	13"	82"	30 lbs.	\$414.00
15082.MHP	15"	82"	34 lbs.	\$432.00	(76.25)	15082.SHP	15"	82"	34 lbs.	\$432.00
16082.MHP	16"	82"	36 lbs.	\$432.00	(76.25)	16082.SHP	16"	82"	36 lbs.	\$432.00
18082.MHP	18"	82"	40 lbs.	\$449.00	(76.25)	18082.SHP	18"	82"	40 lbs.	\$449.00
20082.MHP	20"	82"	44 lbs.	\$460.00	(76.25)	20082.SHP	20"	82"	44 lbs.	\$460.00
24082.MHP	24"	82"	52 lbs.	\$483.00	(76.25)	24082.SHP	24"	82"	52 lbs.	\$483.00
26082.MHP	26"	82"	56 lbs.	\$559.00	(76.25)	26082.SHP	26"	82"	56 lbs.	\$559.00
30082.MHP	30"	82"	64 lbs.	\$559.00	(76.25)	30082.SHP	30"	82"	64 lbs.	\$559.00
32082.MHP	32"	82"	67 lbs.	\$585.00	(76.25)	32082.SHP	32"	82"	67 lbs.	\$585.00
36082.MHP	36"	82"	75 lbs.	\$585.00	(76.25)	36082.SHP	36"	82"	75 lbs.	\$585.00
40082.MHP	40"	82"	83 lbs.	\$658.00	(76.25)	40082.SHP	40"	82"	83 lbs.	\$658.00
48082.MHP	48"	82"	99 lbs.	\$658.00	(76.25)	48082.SHP	48"	82"	99 lbs.	\$650.00
54082.MHP	54"	82"	111 lbs.	\$742.00	(76.25)	54082.SHP	54"	82"	111 lbs.	\$742.00
60082.MHP	60"	82"	122 lbs.	\$742.00	(76.25)	60082.SHP	60"	82"	122 lbs.	\$742.00
					(85.25)	09091.SHP	09"	91"	24 lbs.	\$414.00
					(85.25)	10091.SHP	10"	91"	26 lbs.	\$414.00
					(85.25)	12091.SHP	12"	91"	30 lbs.	\$414.00
					(85.25)	13091.SHP	13"	91"	32 lbs.	\$414.00
15091.MHP	15"	91"	37 lbs.	\$432.00	(85.25)	15091.SHP	15"	91"	37 lbs.	\$432.00
16091.MHP	16"	91"	39 lbs.	\$432.00	(85.25)	16091.SHP	16"	91"	39 lbs.	\$432.00
18091.MHP	18"	91"	43 lbs.	\$449.00	(85.25)	18091.SHP	18"	91"	43 lbs.	\$449.00
20091.MHP	20"	91"	47 lbs.	\$460.00	(85.25)	20091.SHP	20"	91"	47 lbs.	\$460.00
24091.MHP	24"	91"	56 lbs.	\$483.00	(85.25)	24091.SHP	24"	91"	56 lbs.	\$483.00
26091.MHP	26"	91"	60 lbs.	\$559.00	(85.25)	26091.SHP	26"	91"	60 lbs.	\$559.00
30091.MHP	30"	91"	68 lbs.	\$559.00	(85.25)	30091.SHP	30"	91"	68 lbs.	\$559.00
32091.MHP	32"	91"	72 lbs.	\$585.00	(85.25)	32091.SHP	32"	91"	72 lbs.	\$585.00
36091.MHP	36"	91"	81 lbs.	\$585.00	(85.25)	36091.SHP	36"	91"	81 lbs.	\$585.00
40091.MHP	40"	91"	89 lbs.	\$658.00	(85.25)	40091.SHP	40"	91"	89 lbs.	\$658.00
48091.MHP	48"	91"	106 lbs.	\$658.00	(85.25)	48091.SHP	48"	91"	106 lbs.	\$658.00
54091.MHP	54"	91"	119 lbs.	\$742.00	(85.25)	54091.SHP	54"	91"	119 lbs.	\$742.00
60091.MHP	60"	91"	131 lbs.	\$742.00	(85.25)	60091.SHP	60"	91"	131 lbs.	\$742.00

Prices reflect standard Wilsonart Laminates.

Wilsonart Premium and High Definition Laminates are also available as a custom order. Call Customer Service for a quote.

1000 SERIES END PANELS



High Pressure Laminate with Composite Edge

1000 Series Mechanical Assist						1000 Series Static				
Part Number	Width	Height	Weight	List Price	Shelving Height	Part Number	Width	Height	Weight	List Price
					(88.25)	09094.SHP	09"	94"	25 lbs.	\$414.00
					(88.25)	10094.SHP	10"	94"	27 lbs.	\$414.00
					(88.25)	12094.SHP	12"	94"	31 lbs.	\$414.00
					(88.25)	13094.SHP	13"	94"	33 lbs.	\$414.00
15094.MHP	15"	94"	38 lbs.	\$432.00	(88.25)	15094.SHP	15"	94"	38 lbs.	\$432.00
16094.MHP	16"	94"	40 lbs.	\$432.00	(88.25)	16094.SHP	16"	94"	40 lbs.	\$432.00
18094.MHP	18"	94"	44 lbs.	\$449.00	(88.25)	18094.SHP	18"	94"	44 lbs.	\$449.00
20094.MHP	20"	94"	49 lbs.	\$460.00	(88.25)	20094.SHP	20"	94"	49 lbs.	\$460.00
24094.MHP	24"	94"	57 lbs.	\$483.00	(88.25)	24094.SHP	24"	94"	57 lbs.	\$483.00
26094.MHP	26"	94"	62 lbs.	\$559.00	(88.25)	26094.SHP	26"	94"	62 lbs.	\$559.00
30094.MHP	30"	94"	71 lbs.	\$559.00	(88.25)	30094.SHP	30"	94"	71 lbs.	\$559.00
32094.MHP	32"	94"	75 lbs.	\$585.00	(88.25)	32094.SHP	32"	94"	75 lbs.	\$585.00
36094.MHP	36"	94"	84 lbs.	\$585.00	(88.25)	36094.SHP	36"	94"	84 lbs.	\$585.00
40094.MHP	40"	94"	92 lbs.	\$658.00	(88.25)	40094.SHP	40"	94"	92 lbs.	\$658.00
48094.MHP	48"	94"	110 lbs.	\$658.00	(88.25)	48094.SHP	48"	94"	110 lbs.	\$658.00
54094.MHP	54"	94"	123 lbs.	\$742.00	(88.25)	54094.SHP	54"	94"	123 lbs.	\$742.00
60094.MHP	60"	94"	136 lbs.	\$742.00	(88.25)	60094.SHP	60"	94"	136 lbs.	\$742.00
					(97.25)	09103.SHP	09"	103"	27 lbs.	\$440.00
					(97.25)	10103.SHP	10"	103"	30 lbs.	\$440.00
					(97.25)	12103.SHP	12"	103"	34 lbs.	\$440.00
					(97.25)	13103.SHP	13"	103"	37 lbs.	\$440.00
15103.MHP	15"	103"	42 lbs.	\$470.00	(97.25)	15103.SHP	15"	103"	42 lbs.	\$470.00
16103.MHP	16"	103"	44 lbs.	\$470.00	(97.25)	16103.SHP	16"	103"	44 lbs.	\$470.00
18103.MHP	18"	103"	49 lbs.	\$494.00	(97.25)	18103.SHP	18"	103"	49 lbs.	\$494.00
20103.MHP	20"	103"	54 lbs.	\$505.00	(97.25)	20103.SHP	20"	103"	54 lbs.	\$505.00
24103.MHP	24"	103"	63 lbs.	\$536.00	(97.25)	24103.SHP	24"	103"	63 lbs.	\$536.00
26103.MHP	26"	103"	68 lbs.	\$610.00	(97.25)	26103.SHP	26"	103"	68 lbs.	\$610.00
30103.MHP	30"	103"	77 lbs.	\$610.00	(97.25)	30103.SHP	30"	103"	77 lbs.	\$610.00
32103.MHP	32"	103"	82 lbs.	\$650.00	(97.25)	32103.SHP	32"	103"	82 lbs.	\$650.00
36103.MHP	36"	103"	92 lbs.	\$650.00	(97.25)	36103.SHP	36"	103"	92 lbs.	\$650.00
40103.MHP	40"	103"	101 lbs.	\$738.00	(97.25)	40103.SHP	40"	103"	101 lbs.	\$738.00
48103.MHP	48"	103"	121 lbs.	\$738.00	(97.25)	48103.SHP	48"	103"	121 lbs.	\$738.00
54103.MHP	54"	103"	135 lbs.	\$831.00	(97.25)	54103.SHP	54"	103"	135 lbs.	\$831.00
60103.MHP	60"	103"	149 lbs.	\$831.00	(97.25)	60103.SHP	60"	103"	149 lbs.	\$831.00
					(100.25)	09106.SHP	09"	106"	28 lbs.	\$440.00
					(100.25)	10106.SHP	10"	106"	30 lbs.	\$440.00
					(100.25)	12106.SHP	12"	106"	35 lbs.	\$440.00
					(100.25)	13106.SHP	13"	106"	38 lbs.	\$440.00
15106.MHP	15"	106"	43 lbs.	\$470.00	(100.25)	15106.SHP	15"	106"	43 lbs.	\$470.00
16106.MHP	16"	106"	45 lbs.	\$470.00	(100.25)	16106.SHP	16"	106"	45 lbs.	\$470.00
18106.MHP	18"	106"	50 lbs.	\$494.00	(100.25)	18106.SHP	18"	106"	50 lbs.	\$494.00
20106.MHP	20"	106"	55 lbs.	\$505.00	(100.25)	20106.SHP	20"	106"	55 lbs.	\$505.00
24106.MHP	24"	106"	65 lbs.	\$536.00	(100.25)	24106.SHP	24"	106"	65 lbs.	\$536.00
26106.MHP	26"	106"	70 lbs.	\$610.00	(100.25)	26106.SHP	26"	106"	70 lbs.	\$610.00
30106.MHP	30"	106"	80 lbs.	\$610.00	(100.25)	30106.SHP	30"	106"	80 lbs.	\$610.00
32106.MHP	32"	106"	85 lbs.	\$650.00	(100.25)	32106.SHP	32"	106"	85 lbs.	\$650.00
36106.MHP	36"	106"	95 lbs.	\$650.00	(100.25)	36106.SHP	36"	106"	95 lbs.	\$650.00
40106.MHP	40"	106"	104 lbs.	\$738.00	(100.25)	40106.SHP	40"	106"	104 lbs.	\$738.00
48106.MHP	48"	106"	124 lbs.	\$738.00	(100.25)	48106.SHP	48"	106"	124 lbs.	\$738.00
54106.MHP	54"	106"	139 lbs.	\$831.00	(100.25)	54106.SHP	54"	106"	139 lbs.	\$831.00
60106.MHP	60"	106"	154 lbs.	\$831.00	(100.25)	60106.SHP	60"	106"	154 lbs.	\$831.00

Prices reflect standard Wilsonart Laminates.

Wilsonart Premium and High Definition Laminates are also available as a custom order. Call Customer Service for a quote.

1000 SERIES END PANELS

High Pressure Laminate with Composite Edge

1000 Series Mechanical Assist						1000 Series Static				
Part Number	Width	Height	Weight	List Price	Shelving Height	Part Number	Width	Height	Weight	List Price
					(121.25)	09127.SHP	09"	127"	34 lbs.	\$490.00
					(121.25)	10127.SHP	10"	127"	37 lbs.	\$490.00
					(121.25)	12127.SHP	12"	127"	43 lbs.	\$490.00
					(121.25)	13127.SHP	13"	127"	46 lbs.	\$538.00
15127.MHP	15"	127"	52 lbs.	\$563.00	(121.25)	15127.SHP	15"	127"	52 lbs.	\$563.00
16127.MHP	16"	127"	54 lbs.	\$563.00	(121.25)	16127.SHP	16"	127"	54 lbs.	\$563.00
18127.MHP	18"	127"	60 lbs.	\$591.00	(121.25)	18127.SHP	18"	127"	60 lbs.	\$591.00
20127.MHP	20"	127"	66 lbs.	\$602.00	(121.25)	20127.SHP	20"	127"	66 lbs.	\$602.00
24127.MHP	24"	127"	78 lbs.	\$639.00	(121.25)	24127.SHP	24"	127"	78 lbs.	\$639.00
26127.MHP	26"	127"	84 lbs.	\$723.00	(121.25)	26127.SHP	26"	127"	84 lbs.	\$723.00
30127.MHP	30"	127"	96 lbs.	\$723.00	(121.25)	30127.SHP	30"	127"	96 lbs.	\$723.00
32127.MHP	32"	127"	102 lbs.	\$771.00	(121.25)	32127.SHP	32"	127"	102 lbs.	\$771.00
36127.MHP	36"	127"	114 lbs.	\$771.00	(121.25)	36127.SHP	36"	127"	114 lbs.	\$771.00
40127.MHP	40"	127"	126 lbs.	\$871.00	(121.25)	40127.SHP	40"	127"	126 lbs.	\$871.00
48127.MHP	48"	127"	149 lbs.	\$871.00	(121.25)	48127.SHP	48"	127"	149 lbs.	\$871.00
54127.MHP	54"	127"	167 lbs.	\$979.00	(121.25)	54127.SHP	54"	127"	167 lbs.	\$979.00
60127.MHP	60"	127"	185 lbs.	\$979.00	(121.25)	60127.SHP	60"	127"	185 lbs.	\$979.00

Prices reflect standard Wilsonart Laminates.

Wilsonart Premium and High Definition Laminates are also available as a custom order. Call Customer Service for a quote.

1000 SERIES END PANELS

High Pressure Laminate with Composite Edge and Waist High Lock

1000 Series Mechanical Assist					
Part Number	Width	Height	Weight	List Price	Shelving Height
15070.MHP.FLCK	15"	70"	29 lbs.	\$432.00	(64.25)
16070.MHP.FLCK	16"	70"	31 lbs.	\$432.00	(64.25)
18070.MHP.FLCK	18"	70"	34 lbs.	\$449.00	(64.25)
20070.MHP.FLCK	20"	70"	38 lbs.	\$460.00	(64.25)
24070.MHP.FLCK	24"	70"	44 lbs.	\$483.00	(64.25)
26070.MHP.FLCK	26"	70"	48 lbs.	\$559.00	(64.25)
30070.MHP.FLCK	30"	70"	54 lbs.	\$559.00	(64.25)
32070.MHP.FLCK	32"	70"	58 lbs.	\$585.00	(64.25)
36070.MHP.FLCK	36"	70"	64 lbs.	\$585.00	(64.25)
40070.MHP.FLCK	40"	70"	71 lbs.	\$658.00	(64.25)
48070.MHP.FLCK	48"	70"	84 lbs.	\$658.00	(64.25)
54070.MHP.FLCK	54"	70"	95 lbs.	\$742.00	(64.25)
60070.MHP.FLCK	60"	70"	105 lbs.	\$742.00	(64.25)
15082.MHP.FLCK	15"	82"	34 lbs.	\$432.00	(76.25)
16082.MHP.FLCK	16"	82"	36 lbs.	\$432.00	(76.25)
18082.MHP.FLCK	18"	82"	40 lbs.	\$449.00	(76.25)
20082.MHP.FLCK	20"	82"	44 lbs.	\$460.00	(76.25)
24082.MHP.FLCK	24"	82"	52 lbs.	\$483.00	(76.25)
26082.MHP.FLCK	26"	82"	56 lbs.	\$559.00	(76.25)
30082.MHP.FLCK	30"	82"	64 lbs.	\$559.00	(76.25)
32082.MHP.FLCK	32"	82"	67 lbs.	\$585.00	(76.25)
36082.MHP.FLCK	36"	82"	75 lbs.	\$585.00	(76.25)
40082.MHP.FLCK	40"	82"	83 lbs.	\$658.00	(76.25)
48082.MHP.FLCK	48"	82"	99 lbs.	\$658.00	(76.25)
54082.MHP.FLCK	54"	82"	111 lbs.	\$742.00	(76.25)
60082.MHP.FLCK	60"	82"	122 lbs.	\$742.00	(76.25)
15091.MHP.FLCK	15"	91"	37 lbs.	\$432.00	(85.25)
16091.MHP.FLCK	16"	91"	39 lbs.	\$432.00	(85.25)
18091.MHP.FLCK	18"	91"	43 lbs.	\$449.00	(85.25)
20091.MHP.FLCK	20"	91"	47 lbs.	\$460.00	(85.25)
24091.MHP.FLCK	24"	91"	56 lbs.	\$483.00	(85.25)
26091.MHP.FLCK	26"	91"	60 lbs.	\$559.00	(85.25)
30091.MHP.FLCK	30"	91"	68 lbs.	\$559.00	(85.25)
32091.MHP.FLCK	32"	91"	72 lbs.	\$585.00	(85.25)
36091.MHP.FLCK	36"	91"	81 lbs.	\$585.00	(85.25)
40091.MHP.FLCK	40"	91"	89 lbs.	\$658.00	(85.25)
48091.MHP.FLCK	48"	91"	106 lbs.	\$658.00	(85.25)
54091.MHP.FLCK	54"	91"	119 lbs.	\$742.00	(85.25)
60091.MHP.FLCK	60"	91"	131 lbs.	\$742.00	(85.25)

Prices reflect standard Wilsonart Laminates.

Wilsonart Premium and High Definition Laminates are also available as a custom order. Call Customer Service for a quote.

1000 SERIES END PANELS

High Pressure Laminate with Composite Edge and Waist High Lock

1000 Series Mechanical Assist					
Part Number	Width	Height	Weight	List Price	Shelving Height
15094.MHP.FLCK	15"	94"	38 lbs.	\$432.00	(88.25)
16094.MHP.FLCK	16"	94"	40 lbs.	\$432.00	(88.25)
18094.MHP.FLCK	18"	94"	44 lbs.	\$449.00	(88.25)
20094.MHP.FLCK	20"	94"	49 lbs.	\$460.00	(88.25)
24094.MHP.FLCK	24"	94"	57 lbs.	\$483.00	(88.25)
26094.MHP.FLCK	26"	94"	62 lbs.	\$559.00	(88.25)
30094.MHP.FLCK	30"	94"	71 lbs.	\$559.00	(88.25)
32094.MHP.FLCK	32"	94"	75 lbs.	\$585.00	(88.25)
36094.MHP.FLCK	36"	94"	84 lbs.	\$585.00	(88.25)
40094.MHP.FLCK	40"	94"	92 lbs.	\$658.00	(88.25)
48094.MHP.FLCK	48"	94"	110 lbs.	\$658.00	(88.25)
54094.MHP.FLCK	54"	94"	123 lbs.	\$742.00	(88.25)
60094.MHP.FLCK	60"	94"	136 lbs.	\$742.00	(88.25)
15103.MHP.FLCK	15"	103"	42 lbs.	\$470.00	(97.25)
16103.MHP.FLCK	16"	103"	44 lbs.	\$470.00	(97.25)
18103.MHP.FLCK	18"	103"	49 lbs.	\$494.00	(97.25)
20103.MHP.FLCK	20"	103"	54 lbs.	\$505.00	(97.25)
24103.MHP.FLCK	24"	103"	63 lbs.	\$536.00	(97.25)
26103.MHP.FLCK	26"	103"	68 lbs.	\$610.00	(97.25)
30103.MHP.FLCK	30"	103"	77 lbs.	\$610.00	(97.25)
32103.MHP.FLCK	32"	103"	82 lbs.	\$650.00	(97.25)
36103.MHP.FLCK	36"	103"	92 lbs.	\$650.00	(97.25)
40103.MHP.FLCK	40"	103"	101 lbs.	\$738.00	(97.25)
48103.MHP.FLCK	48"	103"	121 lbs.	\$738.00	(97.25)
54103.MHP.FLCK	54"	103"	135 lbs.	\$831.00	(97.25)
60103.MHP.FLCK	60"	103"	149 lbs.	\$831.00	(97.25)
15106.MHP.FLCK	15"	106"	43 lbs.	\$470.00	(100.25)
16106.MHP.FLCK	16"	106"	45 lbs.	\$470.00	(100.25)
18106.MHP.FLCK	18"	106"	50 lbs.	\$494.00	(100.25)
20106.MHP.FLCK	20"	106"	55 lbs.	\$505.00	(100.25)
24106.MHP.FLCK	24"	106"	65 lbs.	\$536.00	(100.25)
26106.MHP.FLCK	26"	106"	70 lbs.	\$610.00	(100.25)
30106.MHP.FLCK	30"	106"	80 lbs.	\$610.00	(100.25)
32106.MHP.FLCK	32"	106"	85 lbs.	\$650.00	(100.25)
36106.MHP.FLCK	36"	106"	95 lbs.	\$650.00	(100.25)
40106.MHP.FLCK	40"	106"	104 lbs.	\$738.00	(100.25)
48106.MHP.FLCK	48"	106"	124 lbs.	\$738.00	(100.25)
54106.MHP.FLCK	54"	106"	139 lbs.	\$831.00	(100.25)
60106.MHP.FLCK	60"	106"	154 lbs.	\$831.00	(100.25)

Prices reflect standard Wilsonart Laminates.

Wilsonart Premium and High Definition Laminates are also available as a custom order. Call Customer Service for a quote.

1000 SERIES END PANELS

High Pressure Laminate with Composite Edge and Waist High Lock

1000 Series Mechanical Assist					
Part Number	Width	Height	Weight	List Price	Shelving Height
15127.MHP.FLCK	15"	127"	52 lbs.	\$563.00	(121.25)
16127.MHP.FLCK	16"	127"	54 lbs.	\$563.00	(121.25)
18127.MHP.FLCK	18"	127"	60 lbs.	\$591.00	(121.25)
20127.MHP.FLCK	20"	127"	66 lbs.	\$602.00	(121.25)
24127.MHP.FLCK	24"	127"	78 lbs.	\$639.00	(121.25)
26127.MHP.FLCK	26"	127"	84 lbs.	\$723.00	(121.25)
30127.MHP.FLCK	30"	127"	96 lbs.	\$723.00	(121.25)
32127.MHP.FLCK	32"	127"	102 lbs.	\$771.00	(121.25)
36127.MHP.FLCK	36"	127"	114 lbs.	\$771.00	(121.25)
40127.MHP.FLCK	40"	127"	126 lbs.	\$871.00	(121.25)
48127.MHP.FLCK	48"	127"	149 lbs.	\$871.00	(121.25)
54127.MHP.FLCK	54"	127"	167 lbs.	\$979.00	(121.25)
60127.MHP.FLCK	60"	127"	185 lbs.	\$979.00	(121.25)

Prices reflect standard Wilsonart Laminates.

Wilsonart Premium and High Definition Laminates are also available as a custom order. Call Customer Service for a quote.

1000 SERIES END PANELS

High Pressure Laminate with Self Edge

1000 Series Mechanical Assist					1000 Series Static					
Part Number	Width	Height	Weight	List Price	Shelving Height	Part Number	Width	Height	Weight	List Price
					(64.25)	09070.SWP	09"	70"	12 lbs.	\$573.00
					(64.25)	10070.SWP	10"	70"	13 lbs.	\$573.00
					(64.25)	12070.SWP	12"	70"	15 lbs.	\$573.00
					(64.25)	13070.SWP	13"	70"	16 lbs.	\$573.00
15070.MWP	15"	70"	19 lbs.	\$641.00	(64.25)	15070.SWP	15"	70"	19 lbs.	\$641.00
16070.MWP	16"	70"	20 lbs.	\$641.00	(64.25)	16070.SWP	16"	70"	20 lbs.	\$641.00
18070.MWP	18"	70"	23 lbs.	\$641.00	(64.25)	18070.SWP	18"	70"	23 lbs.	\$641.00
20070.MWP	20"	70"	25 lbs.	\$641.00	(64.25)	20070.SWP	20"	70"	25 lbs.	\$641.00
24070.MWP	24"	70"	30 lbs.	\$652.00	(64.25)	24070.SWP	24"	70"	30 lbs.	\$652.00
26070.MWP	26"	70"	33 lbs.	\$652.00	(64.25)	26070.SWP	26"	70"	33 lbs.	\$652.00
30070.MWP	30"	70"	38 lbs.	\$815.00	(64.25)	30070.SWP	30"	70"	38 lbs.	\$815.00
32070.MWP	32"	70"	41 lbs.	\$815.00	(64.25)	32070.SWP	32"	70"	41 lbs.	\$815.00
36070.MWP	36"	70"	46 lbs.	\$815.00	(64.25)	36070.SWP	36"	70"	46 lbs.	\$815.00
40070.MWP	40"	70"	51 lbs.	\$824.00	(64.25)	40070.SWP	40"	70"	51 lbs.	\$824.00
48070.MWP	48"	70"	61 lbs.	\$919.00	(64.25)	48070.SWP	48"	70"	61 lbs.	\$919.00
54070.MWP	54"	70"	68 lbs.	\$1,448.00	(64.25)	54070.SWP	54"	70"	68 lbs.	\$1,448.00
60070.MWP	60"	70"	76 lbs.	\$1,613.00	(64.25)	60070.SWP	60"	70"	76 lbs.	\$1,613.00
					(76.25)	09082.SWP	09"	82"	13 lbs.	\$573.00
					(76.25)	10082.SWP	10"	82"	15 lbs.	\$573.00
					(76.25)	12082.SWP	12"	82"	18 lbs.	\$573.00
					(76.25)	13082.SWP	13"	82"	19 lbs.	\$573.00
15082.MWP	15"	82"	22 lbs.	\$641.00	(76.25)	15082.SWP	15"	82"	22 lbs.	\$641.00
16082.MWP	16"	82"	24 lbs.	\$641.00	(76.25)	16082.SWP	16"	82"	24 lbs.	\$641.00
18082.MWP	18"	82"	27 lbs.	\$641.00	(76.25)	18082.SWP	18"	82"	27 lbs.	\$641.00
20082.MWP	20"	82"	30 lbs.	\$641.00	(76.25)	20082.SWP	20"	82"	30 lbs.	\$641.00
24082.MWP	24"	82"	36 lbs.	\$652.00	(76.25)	24082.SWP	24"	82"	36 lbs.	\$652.00
26082.MWP	26"	82"	39 lbs.	\$652.00	(76.25)	26082.SWP	26"	82"	39 lbs.	\$652.00
30082.MWP	30"	82"	45 lbs.	\$815.00	(76.25)	30082.SWP	30"	82"	45 lbs.	\$815.00
32082.MWP	32"	82"	48 lbs.	\$815.00	(76.25)	32082.SWP	32"	82"	48 lbs.	\$815.00
36082.MWP	36"	82"	54 lbs.	\$815.00	(76.25)	36082.SWP	36"	82"	54 lbs.	\$815.00
40082.MWP	40"	82"	60 lbs.	\$824.00	(76.25)	40082.SWP	40"	82"	60 lbs.	\$824.00
48082.MWP	48"	82"	71 lbs.	\$919.00	(76.25)	48082.SWP	48"	82"	71 lbs.	\$919.00
54082.MWP	54"	82"	80 lbs.	\$1,448.00	(76.25)	54082.SWP	54"	82"	80 lbs.	\$1,448.00
60082.MWP	60"	82"	89 lbs.	\$1,613.00	(76.25)	60082.SWP	60"	82"	89 lbs.	\$1,613.00
					(85.25)	09091.SWP	09"	91"	15 lbs.	\$573.00
					(85.25)	10091.SWP	10"	91"	17 lbs.	\$573.00
					(85.25)	12091.SWP	12"	91"	20 lbs.	\$573.00
					(85.25)	13091.SWP	13"	91"	21 lbs.	\$573.00
15091.MWP	15"	91"	25 lbs.	\$641.00	(85.25)	15091.SWP	15"	91"	25 lbs.	\$641.00
16091.MWP	16"	91"	26 lbs.	\$641.00	(85.25)	16091.SWP	16"	91"	26 lbs.	\$641.00
18091.MWP	18"	91"	30 lbs.	\$641.00	(85.25)	18091.SWP	18"	91"	30 lbs.	\$641.00
20091.MWP	20"	91"	33 lbs.	\$641.00	(85.25)	20091.SWP	20"	91"	33 lbs.	\$641.00
24091.MWP	24"	91"	40 lbs.	\$652.00	(85.25)	24091.SWP	24"	91"	40 lbs.	\$652.00
26091.MWP	26"	91"	43 lbs.	\$652.00	(85.25)	26091.SWP	26"	91"	43 lbs.	\$652.00
30091.MWP	30"	91"	50 lbs.	\$815.00	(85.25)	30091.SWP	30"	91"	50 lbs.	\$815.00
32091.MWP	32"	91"	53 lbs.	\$815.00	(85.25)	32091.SWP	32"	91"	53 lbs.	\$815.00
36091.MWP	36"	91"	60 lbs.	\$815.00	(85.25)	36091.SWP	36"	91"	60 lbs.	\$815.00
40091.MWP	40"	91"	66 lbs.	\$824.00	(85.25)	40091.SWP	40"	91"	66 lbs.	\$824.00
48091.MWP	48"	91"	79 lbs.	\$919.00	(85.25)	48091.SWP	48"	91"	79 lbs.	\$919.00
54091.MWP	54"	91"	89 lbs.	\$1,448.00	(85.25)	54091.SWP	54"	91"	89 lbs.	\$1,448.00
60091.MWP	60"	91"	99 lbs.	\$1,613.00	(85.25)	60091.SWP	60"	91"	99 lbs.	\$1,613.00

Prices reflect standard Wilsonart Laminates.

Wilsonart Premium and High Definition Laminates are also available as a custom order. Call Customer Service for a quote.

1000 SERIES END PANELS

High Pressure Laminate with Self Edge

1000 Series Mechanical Assist						1000 Series Static				
Part Number	Width	Height	Weight	List Price	Shelving Height	Part Number	Width	Height	Weight	List Price
					(88.25)	09094.SWP	09"	94"	15 lbs.	\$573.00
					(88.25)	10094.SWP	10"	94"	17 lbs.	\$573.00
					(88.25)	12094.SWP	12"	94"	21 lbs.	\$573.00
					(88.25)	13094.SWP	13"	94"	22 lbs.	\$573.00
15094.MWP	15"	94"	26 lbs.	\$641.00	(88.25)	15094.SWP	15"	94"	26 lbs.	\$641.00
16094.MWP	16"	94"	27 lbs.	\$641.00	(88.25)	16094.SWP	16"	94"	27 lbs.	\$641.00
18094.MWP	18"	94"	31 lbs.	\$641.00	(88.25)	18094.SWP	18"	94"	31 lbs.	\$641.00
20094.MWP	20"	94"	34 lbs.	\$641.00	(88.25)	20094.SWP	20"	94"	34 lbs.	\$641.00
24094.MWP	24"	94"	41 lbs.	\$652.00	(88.25)	24094.SWP	24"	94"	41 lbs.	\$652.00
26094.MWP	26"	94"	44 lbs.	\$652.00	(88.25)	26094.SWP	26"	94"	44 lbs.	\$652.00
30094.MWP	30"	94"	51 lbs.	\$815.00	(88.25)	30094.SWP	30"	94"	51 lbs.	\$815.00
32094.MWP	32"	94"	55 lbs.	\$815.00	(88.25)	32094.SWP	32"	94"	55 lbs.	\$815.00
36094.MWP	36"	94"	62 lbs.	\$815.00	(88.25)	36094.SWP	36"	94"	62 lbs.	\$815.00
40094.MWP	40"	94"	68 lbs.	\$824.00	(88.25)	40094.SWP	40"	94"	68 lbs.	\$824.00
48094.MWP	48"	94"	82 lbs.	\$919.00	(88.25)	48094.SWP	48"	94"	82 lbs.	\$919.00
54094.MWP	54"	94"	92 lbs.	\$1,448.00	(88.25)	54094.SWP	54"	94"	92 lbs.	\$1,448.00
60094.MWP	60"	94"	103 lbs.	\$1,613.00	(88.25)	60094.SWP	60"	94"	103 lbs.	\$1,613.00
					(97.25)	09103.SWP	09"	103"	17 lbs.	\$612.00
					(97.25)	10103.SWP	10"	103"	19 lbs.	\$612.00
					(97.25)	12103.SWP	12"	103"	22 lbs.	\$766.00
					(97.25)	13103.SWP	13"	103"	24 lbs.	\$766.00
15103.MWP	15"	103"	28 lbs.	\$772.00	(97.25)	15103.SWP	15"	103"	28 lbs.	\$772.00
16103.MWP	16"	103"	30 lbs.	\$772.00	(97.25)	16103.SWP	16"	103"	30 lbs.	\$772.00
18103.MWP	18"	103"	34 lbs.	\$772.00	(97.25)	18103.SWP	18"	103"	34 lbs.	\$772.00
20103.MWP	20"	103"	37 lbs.	\$772.00	(97.25)	20103.SWP	20"	103"	37 lbs.	\$772.00
24103.MWP	24"	103"	45 lbs.	\$853.00	(97.25)	24103.SWP	24"	103"	45 lbs.	\$853.00
26103.MWP	26"	103"	49 lbs.	\$853.00	(97.25)	26103.SWP	26"	103"	49 lbs.	\$853.00
30103.MWP	30"	103"	56 lbs.	\$915.00	(97.25)	30103.SWP	30"	103"	56 lbs.	\$915.00
32103.MWP	32"	103"	60 lbs.	\$915.00	(97.25)	32103.SWP	32"	103"	60 lbs.	\$915.00
36103.MWP	36"	103"	67 lbs.	\$915.00	(97.25)	36103.SWP	36"	103"	67 lbs.	\$915.00
40103.MWP	40"	103"	75 lbs.	\$915.00	(97.25)	40103.SWP	40"	103"	75 lbs.	\$915.00
48103.MWP	48"	103"	90 lbs.	\$1,034.00	(97.25)	48103.SWP	48"	103"	90 lbs.	\$1,034.00
54103.MWP	54"	103"	101 lbs.	\$1,734.00	(97.25)	54103.SWP	54"	103"	101 lbs.	\$1,734.00
60103.MWP	60"	103"	112 lbs.	\$1,795.00	(97.25)	60103.SWP	60"	103"	112 lbs.	\$1,795.00
					(100.25)	09106.SWP	09"	106"	17 lbs.	\$612.00
					(100.25)	10106.SWP	10"	106"	19 lbs.	\$612.00
					(100.25)	12106.SWP	12"	106"	23 lbs.	\$766.00
					(100.25)	13106.SWP	13"	106"	25 lbs.	\$766.00
15106.MWP	15"	106"	29 lbs.	\$772.00	(100.25)	15106.SWP	15"	106"	29 lbs.	\$772.00
16106.MWP	16"	106"	31 lbs.	\$772.00	(100.25)	16106.SWP	16"	106"	31 lbs.	\$772.00
18106.MWP	18"	106"	35 lbs.	\$772.00	(100.25)	18106.SWP	18"	106"	35 lbs.	\$772.00
20106.MWP	20"	106"	39 lbs.	\$772.00	(100.25)	20106.SWP	20"	106"	39 lbs.	\$772.00
24106.MWP	24"	106"	46 lbs.	\$853.00	(100.25)	24106.SWP	24"	106"	46 lbs.	\$853.00
26106.MWP	26"	106"	50 lbs.	\$853.00	(100.25)	26106.SWP	26"	106"	50 lbs.	\$853.00
30106.MWP	30"	106"	58 lbs.	\$915.00	(100.25)	30106.SWP	30"	106"	58 lbs.	\$915.00
32106.MWP	32"	106"	62 lbs.	\$915.00	(100.25)	32106.SWP	32"	106"	62 lbs.	\$915.00
36106.MWP	36"	106"	69 lbs.	\$915.00	(100.25)	36106.SWP	36"	106"	69 lbs.	\$915.00
40106.MWP	40"	106"	77 lbs.	\$915.00	(100.25)	40106.SWP	40"	106"	77 lbs.	\$915.00
48106.MWP	48"	106"	93 lbs.	\$1,034.00	(100.25)	48106.SWP	48"	106"	93 lbs.	\$1,034.00
54106.MWP	54"	106"	104 lbs.	\$1,734.00	(100.25)	54106.SWP	54"	106"	104 lbs.	\$1,734.00
60106.MWP	60"	106"	116 lbs.	\$1,795.00	(100.25)	60106.SWP	60"	106"	116 lbs.	\$1,795.00

Prices reflect standard Wilsonart Laminates.

Wilsonart Premium and High Definition Laminates are also available as a custom order. Call Customer Service for a quote.

1000 SERIES END PANELS

High Pressure Laminate with Self Edge

1000 Series Mechanical Assist						1000 Series Static				
Part Number	Width	Height	Weight	List Price	Shelving Height	Part Number	Width	Height	Weight	List Price
					(121.25)	09127.SWP	09"	127"	21 lbs.	\$697.00
					(121.25)	10127.SWP	10"	127"	23 lbs.	\$697.00
					(121.25)	12127.SWP	12"	127"	28 lbs.	\$876.00
					(121.25)	13127.SWP	13"	127"	30 lbs.	\$876.00
15127.MWP	15"	127"	35 lbs.	\$883.00	(121.25)	15127.SWP	15"	127"	35 lbs.	\$883.00
16127.MWP	16"	127"	37 lbs.	\$883.00	(121.25)	16127.SWP	16"	127"	37 lbs.	\$883.00
18127.MWP	18"	127"	42 lbs.	\$883.00	(121.25)	18127.SWP	18"	127"	42 lbs.	\$883.00
20127.MWP	20"	127"	46 lbs.	\$883.00	(121.25)	20127.SWP	20"	127"	46 lbs.	\$883.00
24127.MWP	24"	127"	56 lbs.	\$975.00	(121.25)	24127.SWP	24"	127"	56 lbs.	\$975.00
26127.MWP	26"	127"	60 lbs.	\$975.00	(121.25)	26127.SWP	26"	127"	60 lbs.	\$975.00
30127.MWP	30"	127"	69 lbs.	\$1,047.00	(121.25)	30127.SWP	30"	127"	69 lbs.	\$1,047.00
32127.MWP	32"	127"	74 lbs.	\$1,047.00	(121.25)	32127.SWP	32"	127"	74 lbs.	\$1,047.00
36127.MWP	36"	127"	83 lbs.	\$1,047.00	(121.25)	36127.SWP	36"	127"	83 lbs.	\$1,047.00
40127.MWP	40"	127"	93 lbs.	\$1,047.00	(121.25)	40127.SWP	40"	127"	93 lbs.	\$1,047.00
48127.MWP	48"	127"	111 lbs.	\$1,183.00	(121.25)	48127.SWP	48"	127"	111 lbs.	\$1,183.00
54127.MWP	54"	127"	125 lbs.	\$1,988.00	(121.25)	54127.SWP	54"	127"	125 lbs.	\$1,988.00
60127.MWP	60"	127"	139 lbs.	\$2,059.00	(121.25)	60127.SWP	60"	127"	139 lbs.	\$2,059.00

Prices reflect standard Wilsonart Laminates.

Wilsonart Premium and High Definition Laminates are also available as a custom order. Call Customer Service for a quote.

1000 SERIES END PANELS

High Pressure Laminate with Self Edge and Waist High Lock

1000 Series Mechanical Assist					
Part Number	Width	Height	Weight	List Price	Shelving Height
15070.MWP.FLCK	15"	70"	18 lbs.	\$641.00	(64.25)
16070.MWP.FLCK	16"	70"	20 lbs.	\$641.00	(64.25)
18070.MWP.FLCK	18"	70"	23 lbs.	\$641.00	(64.25)
20070.MWP.FLCK	20"	70"	25 lbs.	\$641.00	(64.25)
24070.MWP.FLCK	24"	70"	30 lbs.	\$652.00	(64.25)
26070.MWP.FLCK	26"	70"	33 lbs.	\$652.00	(64.25)
30070.MWP.FLCK	30"	70"	38 lbs.	\$815.00	(64.25)
32070.MWP.FLCK	32"	70"	41 lbs.	\$815.00	(64.25)
36070.MWP.FLCK	36"	70"	46 lbs.	\$815.00	(64.25)
40070.MWP.FLCK	40"	70"	51 lbs.	\$824.00	(64.25)
48070.MWP.FLCK	48"	70"	61 lbs.	\$919.00	(64.25)
54070.MWP.FLCK	54"	70"	68 lbs.	\$1,448.00	(64.25)
60070.MWP.FLCK	60"	70"	76 lbs.	\$1,613.00	(64.25)
15082.MWP.FLCK	15"	82"	22 lbs.	\$641.00	(76.25)
16082.MWP.FLCK	16"	82"	24 lbs.	\$641.00	(76.25)
18082.MWP.FLCK	18"	82"	27 lbs.	\$641.00	(76.25)
20082.MWP.FLCK	20"	82"	30 lbs.	\$641.00	(76.25)
24082.MWP.FLCK	24"	82"	36 lbs.	\$652.00	(76.25)
26082.MWP.FLCK	26"	82"	39 lbs.	\$652.00	(76.25)
30082.MWP.FLCK	30"	82"	45 lbs.	\$815.00	(76.25)
32082.MWP.FLCK	32"	82"	48 lbs.	\$815.00	(76.25)
36082.MWP.FLCK	36"	82"	54 lbs.	\$815.00	(76.25)
40082.MWP.FLCK	40"	82"	60 lbs.	\$824.00	(76.25)
48082.MWP.FLCK	48"	82"	71 lbs.	\$919.00	(76.25)
54082.MWP.FLCK	54"	82"	80 lbs.	\$1,448.00	(76.25)
60082.MWP.FLCK	60"	82"	89 lbs.	\$1,613.00	(76.25)
15091.MWP.FLCK	15"	91"	25 lbs.	\$641.00	(85.25)
16091.MWP.FLCK	16"	91"	26 lbs.	\$641.00	(85.25)
18091.MWP.FLCK	18"	91"	30 lbs.	\$641.00	(85.25)
20091.MWP.FLCK	20"	91"	33 lbs.	\$641.00	(85.25)
24091.MWP.FLCK	24"	91"	40 lbs.	\$652.00	(85.25)
26091.MWP.FLCK	26"	91"	43 lbs.	\$652.00	(85.25)
30091.MWP.FLCK	30"	91"	50 lbs.	\$815.00	(85.25)
32091.MWP.FLCK	32"	91"	53 lbs.	\$815.00	(85.25)
36091.MWP.FLCK	36"	91"	60 lbs.	\$815.00	(85.25)
40091.MWP.FLCK	40"	91"	66 lbs.	\$824.00	(85.25)
48091.MWP.FLCK	48"	91"	79 lbs.	\$919.00	(85.25)
54091.MWP.FLCK	54"	91"	89 lbs.	\$1,448.00	(85.25)
60091.MWP.FLCK	60"	91"	99 lbs.	\$1,613.00	(85.25)

Prices reflect standard Wilsonart Laminates.

Wilsonart Premium and High Definition Laminates are also available as a custom order. Call Customer Service for a quote.

1000 SERIES END PANELS

High Pressure Laminate with Self Edge and Waist High Lock

1000 Series Mechanical Assist					
Part Number	Width	Height	Weight	List Price	Shelving Height
15094.MWP.FLCK	15"	94"	26 lbs.	\$641.00	(88.25)
16094.MWP.FLCK	16"	94"	27 lbs.	\$641.00	(88.25)
18094.MWP.FLCK	18"	94"	31 lbs.	\$641.00	(88.25)
20094.MWP.FLCK	20"	94"	34 lbs.	\$641.00	(88.25)
24094.MWP.FLCK	24"	94"	41 lbs.	\$652.00	(88.25)
26094.MWP.FLCK	26"	94"	44 lbs.	\$652.00	(88.25)
30094.MWP.FLCK	30"	94"	51 lbs.	\$815.00	(88.25)
32094.MWP.FLCK	32"	94"	55 lbs.	\$815.00	(88.25)
36094.MWP.FLCK	36"	94"	62 lbs.	\$815.00	(88.25)
40094.MWP.FLCK	40"	94"	68 lbs.	\$824.00	(88.25)
48094.MWP.FLCK	48"	94"	82 lbs.	\$919.00	(88.25)
54094.MWP.FLCK	54"	94"	92 lbs.	\$1,448.00	(88.25)
60094.MWP.FLCK	60"	94"	103 lbs.	\$1,613.00	(88.25)
15103.MWP.FLCK	15"	103"	28 lbs.	\$772.00	(97.25)
16103.MWP.FLCK	16"	103"	30 lbs.	\$772.00	(97.25)
18103.MWP.FLCK	18"	103"	34 lbs.	\$772.00	(97.25)
20103.MWP.FLCK	20"	103"	37 lbs.	\$772.00	(97.25)
24103.MWP.FLCK	24"	103"	45 lbs.	\$845.00	(97.25)
26103.MWP.FLCK	26"	103"	49 lbs.	\$845.00	(97.25)
30103.MWP.FLCK	30"	103"	56 lbs.	\$907.00	(97.25)
32103.MWP.FLCK	32"	103"	60 lbs.	\$907.00	(97.25)
36103.MWP.FLCK	36"	103"	67 lbs.	\$907.00	(97.25)
40103.MWP.FLCK	40"	103"	75 lbs.	\$915.00	(97.25)
48103.MWP.FLCK	48"	103"	90 lbs.	\$1,034.00	(97.25)
54103.MWP.FLCK	54"	103"	101 lbs.	\$1,734.00	(97.25)
60103.MWP.FLCK	60"	103"	112 lbs.	\$1,795.00	(97.25)
15106.MWP.FLCK	15"	106"	29 lbs.	\$772.00	(100.25)
16106.MWP.FLCK	16"	106"	31 lbs.	\$772.00	(100.25)
18106.MWP.FLCK	18"	106"	35 lbs.	\$772.00	(100.25)
20106.MWP.FLCK	20"	106"	39 lbs.	\$772.00	(100.25)
24106.MWP.FLCK	24"	106"	46 lbs.	\$845.00	(100.25)
26106.MWP.FLCK	26"	106"	50 lbs.	\$845.00	(100.25)
30106.MWP.FLCK	30"	106"	58 lbs.	\$907.00	(100.25)
32106.MWP.FLCK	32"	106"	62 lbs.	\$907.00	(100.25)
36106.MWP.FLCK	36"	106"	69 lbs.	\$907.00	(100.25)
40106.MWP.FLCK	40"	106"	77 lbs.	\$915.00	(100.25)
48106.MWP.FLCK	48"	106"	93 lbs.	\$1,034.00	(100.25)
54106.MWP.FLCK	54"	106"	104 lbs.	\$1,734.00	(100.25)
60106.MWP.FLCK	60"	106"	116 lbs.	\$1,795.00	(100.25)

Prices reflect standard Wilsonart Laminates.

Wilsonart Premium and High Definition Laminates are also available as a custom order. Call Customer Service for a quote.

1000 SERIES END PANELS

High Pressure Laminate with Self Edge and Waist High Lock

1000 Series Mechanical Assist					
Part Number	Width	Height	Weight	List Price	Shelving Height
15127.MWP.FLCK	15"	127"	35 lbs.	\$883.00	(121.25)
16127.MWP.FLCK	16"	127"	37 lbs.	\$883.00	(121.25)
18127.MWP.FLCK	18"	127"	42 lbs.	\$883.00	(121.25)
20127.MWP.FLCK	20"	127"	46 lbs.	\$883.00	(121.25)
24127.MWP.FLCK	24"	127"	56 lbs.	\$975.00	(121.25)
26127.MWP.FLCK	26"	127"	60 lbs.	\$975.00	(121.25)
30127.MWP.FLCK	30"	127"	69 lbs.	\$1,047.00	(121.25)
32127.MWP.FLCK	32"	127"	74 lbs.	\$1,047.00	(121.25)
36127.MWP.FLCK	36"	127"	83 lbs.	\$1,047.00	(121.25)
40127.MWP.FLCK	40"	127"	93 lbs.	\$1,047.00	(121.25)
48127.MWP.FLCK	48"	127"	111 lbs.	\$1,175.00	(121.25)
54127.MWP.FLCK	54"	127"	125 lbs.	\$1,988.00	(121.25)
60127.MWP.FLCK	60"	127"	139 lbs.	\$2,059.00	(121.25)

Prices reflect standard Wilsonart Laminates.

Wilsonart Premium and High Definition Laminates are also available as a custom order. Call Customer Service for a quote.

POWERED 1000 SERIES END PANELS

Steel

Powered 1000 Series for Single Keypad						Powered 1000 Series for Dual Keypads				
Part Number	Width	Height	Weight	List Price	Shelving Height	Part Number	Width	Height	Weight	List Price
09071.MS1P	09"	71"	16 lbs.	\$342.00	(64.25)					
10071.MS1P	10"	71"	18 lbs.	\$342.00	(64.25)					
12071.MS1P	12"	71"	21 lbs.	\$342.00	(64.25)					
13071.MS1P	13"	71"	23 lbs.	\$358.00	(64.25)					
15071.MS1P	15"	71"	26 lbs.	\$358.00	(64.25)	15071.MS2P	15"	71"	26 lbs.	\$358.00
16071.MS1P	16"	71"	28 lbs.	\$373.00	(64.25)	16071.MS2P	16"	71"	28 lbs.	\$373.00
18071.MS1P	18"	71"	30 lbs.	\$373.00	(64.25)	18071.MS2P	18"	71"	30 lbs.	\$373.00
20071.MS1P	20"	71"	33 lbs.	\$388.00	(64.25)	20071.MS2P	20"	71"	33 lbs.	\$388.00
24071.MS1P	24"	71"	38 lbs.	\$403.00	(64.25)	24071.MS2P	24"	71"	38 lbs.	\$403.00
26071.MS1P	26"	71"	40 lbs.	\$419.00	(64.25)	26071.MS2P	26"	71"	40 lbs.	\$419.00
30071.MS1P	30"	71"	45 lbs.	\$419.00	(64.25)	30071.MS2P	30"	71"	45 lbs.	\$419.00
32071.MS1P	32"	71"	48 lbs.	\$432.00	(64.25)	32071.MS2P	32"	71"	48 lbs.	\$432.00
36071.MS1P	36"	71"	53 lbs.	\$432.00	(64.25)	36071.MS2P	36"	71"	53 lbs.	\$432.00
40071.MS1P	40"	71"	58 lbs.	\$432.00	(64.25)	40071.MS2P	40"	71"	58 lbs.	\$432.00
48071.MS1P	48"	71"	68 lbs.	\$449.00	(64.25)	48071.MS2P	48"	71"	68 lbs.	\$449.00
54071.MS1P	54"	71"	76 lbs.	\$628.00	(64.25)	54071.MS2P	54"	71"	76 lbs.	\$628.00
60071.MS1P	60"	71"	83 lbs.	\$807.00	(64.25)	60071.MS2P	60"	71"	83 lbs.	\$807.00
09083.MS1P	09"	83"	20 lbs.	\$342.00	(76.25)					
10083.MS1P	10"	83"	22 lbs.	\$342.00	(76.25)					
12083.MS1P	12"	83"	25 lbs.	\$342.00	(76.25)					
13083.MS1P	13"	83"	27 lbs.	\$358.00	(76.25)					
15083.MS1P	15"	83"	31 lbs.	\$358.00	(76.25)	15083.MS2P	15"	83"	31 lbs.	\$358.00
16083.MS1P	16"	83"	32 lbs.	\$373.00	(76.25)	16083.MS2P	16"	83"	32 lbs.	\$373.00
18083.MS1P	18"	83"	35 lbs.	\$373.00	(76.25)	18083.MS2P	18"	83"	35 lbs.	\$373.00
20083.MS1P	20"	83"	38 lbs.	\$388.00	(76.25)	20083.MS2P	20"	83"	38 lbs.	\$388.00
24083.MS1P	24"	83"	44 lbs.	\$403.00	(76.25)	24083.MS2P	24"	83"	44 lbs.	\$403.00
26083.MS1P	26"	83"	47 lbs.	\$419.00	(76.25)	26083.MS2P	26"	83"	47 lbs.	\$419.00
30083.MS1P	30"	83"	53 lbs.	\$419.00	(76.25)	30083.MS2P	30"	83"	53 lbs.	\$419.00
32083.MS1P	32"	83"	56 lbs.	\$432.00	(76.25)	32083.MS2P	32"	83"	56 lbs.	\$432.00
36083.MS1P	36"	83"	61 lbs.	\$432.00	(76.25)	36083.MS2P	36"	83"	61 lbs.	\$432.00
40083.MS1P	40"	83"	67 lbs.	\$432.00	(76.25)	40083.MS2P	40"	83"	67 lbs.	\$432.00
48083.MS1P	48"	83"	79 lbs.	\$449.00	(76.25)	48083.MS2P	48"	83"	79 lbs.	\$449.00
54083.MS1P	54"	83"	88 lbs.	\$628.00	(76.25)	54083.MS2P	54"	83"	88 lbs.	\$628.00
60083.MS1P	60"	83"	97 lbs.	\$807.00	(76.25)	60083.MS2P	60"	83"	97 lbs.	\$807.00
09092.MS1P	09"	92"	21 lbs.	\$342.00	(85.25)					
10092.MS1P	10"	92"	23 lbs.	\$342.00	(85.25)					
12092.MS1P	12"	92"	27 lbs.	\$342.00	(85.25)					
13092.MS1P	13"	92"	30 lbs.	\$358.00	(85.25)					
15092.MS1P	15"	92"	34 lbs.	\$358.00	(85.25)	15092.MS2P	15"	92"	34 lbs.	\$358.00
16092.MS1P	16"	92"	35 lbs.	\$373.00	(85.25)	16092.MS2P	16"	92"	35 lbs.	\$373.00
18092.MS1P	18"	92"	39 lbs.	\$373.00	(85.25)	18092.MS2P	18"	92"	39 lbs.	\$373.00
20092.MS1P	20"	92"	42 lbs.	\$388.00	(85.25)	20092.MS2P	20"	92"	42 lbs.	\$388.00
24092.MS1P	24"	92"	48 lbs.	\$403.00	(85.25)	24092.MS2P	24"	92"	48 lbs.	\$403.00
26092.MS1P	26"	92"	52 lbs.	\$419.00	(85.25)	26092.MS2P	26"	92"	52 lbs.	\$419.00
30092.MS1P	30"	92"	58 lbs.	\$419.00	(85.25)	30092.MS2P	30"	92"	58 lbs.	\$419.00
32092.MS1P	32"	92"	61 lbs.	\$432.00	(85.25)	32092.MS2P	32"	92"	61 lbs.	\$432.00
36092.MS1P	36"	92"	68 lbs.	\$432.00	(85.25)	36092.MS2P	36"	92"	68 lbs.	\$432.00
40092.MS1P	40"	92"	74 lbs.	\$432.00	(85.25)	40092.MS2P	40"	92"	74 lbs.	\$432.00
48092.MS1P	48"	92"	87 lbs.	\$449.00	(85.25)	48092.MS2P	48"	92"	87 lbs.	\$449.00
54092.MS1P	54"	92"	97 lbs.	\$628.00	(85.25)	54092.MS2P	54"	92"	97 lbs.	\$628.00
60092.MS1P	60"	92"	107 lbs.	\$807.00	(85.25)	60092.MS2P	60"	92"	107 lbs.	\$807.00

MS1P Models are drilled with a single hole for Electric Keypad.

MS2P Models are drilled with 2 holes for 2 Electric Keypads.

POWERED 1000 SERIES END PANELS

Steel

Powered 1000 Series for Single Keypad						Powered 1000 Series for Dual Keypads				
Part Number	Width	Height	Weight	List Price	Shelving Height	Part Number	Width	Height	Weight	List Price
09095.MS1P	09"	95"	22 lbs.	\$342.00	(88.25)					
10095.MS1P	10"	95"	24 lbs.	\$342.00	(88.25)					
12095.MS1P	12"	95"	28 lbs.	\$342.00	(88.25)					
13095.MS1P	13"	95"	31 lbs.	\$358.00	(88.25)					
15095.MS1P	15"	95"	35 lbs.	\$358.00	(88.25)	15095.MS2P	15"	95"	35 lbs.	\$358.00
16095.MS1P	16"	95"	36 lbs.	\$373.00	(88.25)	16095.MS2P	16"	95"	36 lbs.	\$373.00
18095.MS1P	18"	95"	40 lbs.	\$373.00	(88.25)	18095.MS2P	18"	95"	40 lbs.	\$373.00
20095.MS1P	20"	95"	43 lbs.	\$388.00	(88.25)	20095.MS2P	20"	95"	43 lbs.	\$388.00
24095.MS1P	24"	95"	50 lbs.	\$403.00	(88.25)	24095.MS2P	24"	95"	50 lbs.	\$403.00
26095.MS1P	26"	95"	53 lbs.	\$419.00	(88.25)	26095.MS2P	26"	95"	53 lbs.	\$419.00
30095.MS1P	30"	95"	60 lbs.	\$419.00	(88.25)	30095.MS2P	30"	95"	60 lbs.	\$419.00
32095.MS1P	32"	95"	63 lbs.	\$432.00	(88.25)	32095.MS2P	32"	95"	63 lbs.	\$432.00
36095.MS1P	36"	95"	70 lbs.	\$432.00	(88.25)	36095.MS2P	36"	95"	70 lbs.	\$432.00
40095.MS1P	40"	95"	77 lbs.	\$432.00	(88.25)	40095.MS2P	40"	95"	77 lbs.	\$432.00
48095.MS1P	48"	95"	90 lbs.	\$449.00	(88.25)	48095.MS2P	48"	95"	90 lbs.	\$449.00
54095.MS1P	54"	95"	100 lbs.	\$628.00	(88.25)	54095.MS2P	54"	95"	100 lbs.	\$628.00
60095.MS1P	60"	95"	110 lbs.	\$807.00	(88.25)	60095.MS2P	60"	95"	110 lbs.	\$807.00
09104.MS1P	09"	104"	24 lbs.	\$342.00	(97.25)					
10104.MS1P	10"	104"	26 lbs.	\$342.00	(97.25)					
12104.MS1P	12"	104"	31 lbs.	\$342.00	(97.25)					
13104.MS1P	13"	104"	33 lbs.	\$358.00	(97.25)					
15104.MS1P	15"	104"	38 lbs.	\$358.00	(97.25)	15104.MS2P	15"	104"	38 lbs.	\$358.00
16104.MS1P	16"	104"	40 lbs.	\$373.00	(97.25)	16104.MS2P	16"	104"	40 lbs.	\$373.00
18104.MS1P	18"	104"	43 lbs.	\$373.00	(97.25)	18104.MS2P	18"	104"	43 lbs.	\$373.00
20104.MS1P	20"	104"	47 lbs.	\$388.00	(97.25)	20104.MS2P	20"	104"	47 lbs.	\$388.00
24104.MS1P	24"	104"	54 lbs.	\$403.00	(97.25)	24104.MS2P	24"	104"	54 lbs.	\$403.00
26104.MS1P	26"	104"	58 lbs.	\$419.00	(97.25)	26104.MS2P	26"	104"	58 lbs.	\$419.00
30104.MS1P	30"	104"	65 lbs.	\$419.00	(97.25)	30104.MS2P	30"	104"	65 lbs.	\$419.00
32104.MS1P	32"	104"	69 lbs.	\$432.00	(97.25)	32104.MS2P	32"	104"	69 lbs.	\$432.00
36104.MS1P	36"	104"	76 lbs.	\$432.00	(97.25)	36104.MS2P	36"	104"	76 lbs.	\$432.00
40104.MS1P	40"	104"	84 lbs.	\$432.00	(97.25)	40104.MS2P	40"	104"	84 lbs.	\$432.00
48104.MS1P	48"	104"	98 lbs.	\$449.00	(97.25)	48104.MS2P	48"	104"	98 lbs.	\$449.00
54104.MS1P	54"	104"	109 lbs.	\$628.00	(97.25)	54104.MS2P	54"	104"	109 lbs.	\$628.00
60104.MS1P	60"	104"	120 lbs.	\$807.00	(97.25)	60104.MS2P	60"	104"	120 lbs.	\$807.00
09107.MS1P	09"	107"	24 lbs.	\$342.00	(100.25)					
10107.MS1P	10"	107"	27 lbs.	\$342.00	(100.25)					
12107.MS1P	12"	107"	32 lbs.	\$342.00	(100.25)					
13107.MS1P	13"	107"	34 lbs.	\$358.00	(100.25)					
15107.MS1P	15"	107"	39 lbs.	\$358.00	(100.25)	15107.MS2P	15"	107"	39 lbs.	\$358.00
16107.MS1P	16"	107"	41 lbs.	\$373.00	(100.25)	16107.MS2P	16"	107"	41 lbs.	\$373.00
18107.MS1P	18"	107"	45 lbs.	\$373.00	(100.25)	18107.MS2P	18"	107"	45 lbs.	\$373.00
20107.MS1P	20"	107"	48 lbs.	\$388.00	(100.25)	20107.MS2P	20"	107"	48 lbs.	\$388.00
24107.MS1P	24"	107"	56 lbs.	\$403.00	(100.25)	24107.MS2P	24"	107"	56 lbs.	\$403.00
26107.MS1P	26"	107"	60 lbs.	\$419.00	(100.25)	26107.MS2P	26"	107"	60 lbs.	\$419.00
30107.MS1P	30"	107"	67 lbs.	\$419.00	(100.25)	30107.MS2P	30"	107"	67 lbs.	\$419.00
32107.MS1P	32"	107"	71 lbs.	\$432.00	(100.25)	32107.MS2P	32"	107"	71 lbs.	\$432.00
36107.MS1P	36"	107"	78 lbs.	\$432.00	(100.25)	36107.MS2P	36"	107"	78 lbs.	\$432.00
40107.MS1P	40"	107"	86 lbs.	\$432.00	(100.25)	40107.MS2P	40"	107"	86 lbs.	\$432.00
48107.MS1P	48"	107"	101 lbs.	\$449.00	(100.25)	48107.MS2P	48"	107"	101 lbs.	\$449.00
54107.MS1P	54"	107"	112 lbs.	\$628.00	(100.25)	54107.MS2P	54"	107"	112 lbs.	\$628.00
60107.MS1P	60"	107"	124 lbs.	\$807.00	(100.25)	60107.MS2P	60"	107"	124 lbs.	\$807.00

MS1P Models are drilled with a single hole for Electric Keypad.

MS2P Models are drilled with 2 holes for 2 Electric Keypads.

POWERED 1000 SERIES END PANELS

Steel

Powered 1000 Series for Single Keypad						Powered 1000 Series for Dual Keypads				
Part Number	Width	Height	Weight	List Price	Shelving Height	Part Number	Width	Height	Weight	List Price
09128.MS1P	09"	128"	29 lbs.	\$417.00	(121.25)					
10128.MS1P	10"	128"	32 lbs.	\$417.00	(121.25)					
12128.MS1P	12"	128"	38 lbs.	\$417.00	(121.25)					
13128.MS1P	13"	128"	39 lbs.	\$427.00	(121.25)					
15128.MS1P	15"	128"	46 lbs.	\$427.00	(121.25)	15128.MS2P	15"	128"	46 lbs.	\$427.00
16128.MS1P	16"	128"	49 lbs.	\$449.00	(121.25)	16128.MS2P	16"	128"	49 lbs.	\$449.00
18128.MS1P	18"	128"	53 lbs.	\$449.00	(121.25)	18128.MS2P	18"	128"	53 lbs.	\$449.00
20128.MS1P	20"	128"	58 lbs.	\$470.00	(121.25)	20128.MS2P	20"	128"	58 lbs.	\$470.00
24128.MS1P	24"	128"	66 lbs.	\$491.00	(121.25)	24128.MS2P	24"	128"	66 lbs.	\$491.00
26128.MS1P	26"	128"	71 lbs.	\$533.00	(121.25)	26128.MS2P	26"	128"	71 lbs.	\$533.00
30128.MS1P	30"	128"	80 lbs.	\$533.00	(121.25)	30128.MS2P	30"	128"	80 lbs.	\$533.00
32128.MS1P	32"	128"	84 lbs.	\$543.00	(121.25)	32128.MS2P	32"	128"	84 lbs.	\$543.00
36128.MS1P	36"	128"	93 lbs.	\$543.00	(121.25)	36128.MS2P	36"	128"	93 lbs.	\$543.00
40128.MS1P	40"	128"	102 lbs.	\$543.00	(121.25)	40128.MS2P	40"	128"	102 lbs.	\$543.00
48128.MS1P	48"	128"	120 lbs.	\$591.00	(121.25)	48128.MS2P	48"	128"	120 lbs.	\$591.00
54128.MS1P	54"	128"	134 lbs.	\$766.00	(121.25)	54128.MS2P	54"	128"	134 lbs.	\$766.00
60128.MS1P	60"	128"	147 lbs.	\$987.00	(121.25)	60128.MS2P	60"	128"	147 lbs.	\$987.00

MS1P Models are drilled with a single hole for Electric Keypad.
 MS2P Models are drilled with 2 holes for 2 Electric Keypads.

POWERED 1000 SERIES END PANELS

Steel

Powered 1000 Series Static					
Part Number	Width	Height	Weight	List Price	Shelving Height
09071.SSEP	09"	71"	17 lbs.	\$342.00	(64.25)
10071.SSEP	10"	71"	19 lbs.	\$342.00	(64.25)
12071.SSEP	12"	71"	23 lbs.	\$342.00	(64.25)
13071.SSEP	13"	71"	24 lbs.	\$358.00	(64.25)
15071.SSEP	15"	71"	26 lbs.	\$358.00	(64.25)
16071.SSEP	16"	71"	28 lbs.	\$373.00	(64.25)
18071.SSEP	18"	71"	30 lbs.	\$373.00	(64.25)
20071.SSEP	20"	71"	33 lbs.	\$388.00	(64.25)
24071.SSEP	24"	71"	38 lbs.	\$403.00	(64.25)
26071.SSEP	26"	71"	40 lbs.	\$419.00	(64.25)
30071.SSEP	30"	71"	45 lbs.	\$419.00	(64.25)
32071.SSEP	32"	71"	48 lbs.	\$432.00	(64.25)
36071.SSEP	36"	71"	53 lbs.	\$432.00	(64.25)
40071.SSEP	40"	71"	58 lbs.	\$432.00	(64.25)
48071.SSEP	48"	71"	68 lbs.	\$449.00	(64.25)
54071.SSEP	54"	71"	76 lbs.	\$628.00	(64.25)
60071.SSEP	60"	71"	83 lbs.	\$807.00	(64.25)
09083.SSEP	09"	83"	20 lbs.	\$342.00	(76.25)
10083.SSEP	10"	83"	22 lbs.	\$342.00	(76.25)
12083.SSEP	12"	83"	26 lbs.	\$342.00	(76.25)
13083.SSEP	13"	83"	28 lbs.	\$358.00	(76.25)
15083.SSEP	15"	83"	31 lbs.	\$358.00	(76.25)
16083.SSEP	16"	83"	32 lbs.	\$373.00	(76.25)
18083.SSEP	18"	83"	35 lbs.	\$373.00	(76.25)
20083.SSEP	20"	83"	38 lbs.	\$388.00	(76.25)
24083.SSEP	24"	83"	44 lbs.	\$403.00	(76.25)
26083.SSEP	26"	83"	47 lbs.	\$419.00	(76.25)
30083.SSEP	30"	83"	53 lbs.	\$419.00	(76.25)
32083.SSEP	32"	83"	56 lbs.	\$432.00	(76.25)
36083.SSEP	36"	83"	61 lbs.	\$432.00	(76.25)
40083.SSEP	40"	83"	67 lbs.	\$432.00	(76.25)
48083.SSEP	48"	83"	79 lbs.	\$449.00	(76.25)
54083.SSEP	54"	83"	88 lbs.	\$628.00	(76.25)
60083.SSEP	60"	83"	97 lbs.	\$807.00	(76.25)
09092.SSEP	09"	92"	22 lbs.	\$342.00	(85.25)
10092.SSEP	10"	92"	24 lbs.	\$342.00	(85.25)
12092.SSEP	12"	92"	29 lbs.	\$342.00	(85.25)
13092.SSEP	13"	92"	30 lbs.	\$358.00	(85.25)
15092.SSEP	15"	92"	34 lbs.	\$358.00	(85.25)
16092.SSEP	16"	92"	35 lbs.	\$373.00	(85.25)
18092.SSEP	18"	92"	39 lbs.	\$373.00	(85.25)
20092.SSEP	20"	92"	42 lbs.	\$388.00	(85.25)
24092.SSEP	24"	92"	48 lbs.	\$403.00	(85.25)
26092.SSEP	26"	92"	52 lbs.	\$419.00	(85.25)
30092.SSEP	30"	92"	58 lbs.	\$419.00	(85.25)
32092.SSEP	32"	92"	61 lbs.	\$432.00	(85.25)
36092.SSEP	36"	92"	68 lbs.	\$432.00	(85.25)
40092.SSEP	40"	92"	74 lbs.	\$432.00	(85.25)
48092.SSEP	48"	92"	87 lbs.	\$449.00	(85.25)
54092.SSEP	54"	92"	97 lbs.	\$628.00	(85.25)
60092.SSEP	60"	92"	107 lbs.	\$807.00	(85.25)

POWERED 1000 SERIES END PANELS

Steel

Powered 1000 Series Static					
Part Number	Width	Height	Weight	List Price	Shelving Height
09095.SSEP	09"	95"	23 lbs.	\$342.00	(88.25)
10095.SSEP	10"	95"	25 lbs.	\$342.00	(88.25)
12095.SSEP	12"	95"	30 lbs.	\$342.00	(88.25)
13095.SSEP	13"	95"	31 lbs.	\$358.00	(88.25)
15095.SSEP	15"	95"	35 lbs.	\$358.00	(88.25)
16095.SSEP	16"	95"	36 lbs.	\$373.00	(88.25)
18095.SSEP	18"	95"	40 lbs.	\$373.00	(88.25)
20095.SSEP	20"	95"	43 lbs.	\$388.00	(88.25)
24095.SSEP	24"	95"	50 lbs.	\$403.00	(88.25)
26095.SSEP	26"	95"	53 lbs.	\$419.00	(88.25)
30095.SSEP	30"	95"	60 lbs.	\$419.00	(88.25)
32095.SSEP	32"	95"	63 lbs.	\$432.00	(88.25)
36095.SSEP	36"	95"	70 lbs.	\$432.00	(88.25)
40095.SSEP	40"	95"	77 lbs.	\$432.00	(88.25)
48095.SSEP	48"	95"	90 lbs.	\$449.00	(88.25)
54095.SSEP	54"	95"	100 lbs.	\$628.00	(88.25)
60095.SSEP	60"	95"	110 lbs.	\$807.00	(88.25)
09104.SSEP	09"	104"	25 lbs.	\$342.00	(97.25)
10104.SSEP	10"	104"	27 lbs.	\$342.00	(97.25)
12104.SSEP	12"	104"	32 lbs.	\$342.00	(97.25)
13104.SSEP	13"	104"	34 lbs.	\$358.00	(97.25)
15104.SSEP	15"	104"	38 lbs.	\$358.00	(97.25)
16104.SSEP	16"	104"	40 lbs.	\$373.00	(97.25)
18104.SSEP	18"	104"	43 lbs.	\$373.00	(97.25)
20104.SSEP	20"	104"	47 lbs.	\$388.00	(97.25)
24104.SSEP	24"	104"	54 lbs.	\$403.00	(97.25)
26104.SSEP	26"	104"	58 lbs.	\$419.00	(97.25)
30104.SSEP	30"	104"	65 lbs.	\$419.00	(97.25)
32104.SSEP	32"	104"	69 lbs.	\$432.00	(97.25)
36104.SSEP	36"	104"	76 lbs.	\$432.00	(97.25)
40104.SSEP	40"	104"	84 lbs.	\$432.00	(97.25)
48104.SSEP	48"	104"	98 lbs.	\$449.00	(97.25)
54104.SSEP	54"	104"	109 lbs.	\$628.00	(97.25)
60104.SSEP	60"	104"	120 lbs.	\$807.00	(97.25)
09107.SSEP	09"	107"	25 lbs.	\$342.00	(100.25)
10107.SSEP	10"	107"	28 lbs.	\$342.00	(100.25)
12107.SSEP	12"	107"	33 lbs.	\$342.00	(100.25)
13107.SSEP	13"	107"	35 lbs.	\$358.00	(100.25)
15107.SSEP	15"	107"	39 lbs.	\$358.00	(100.25)
16107.SSEP	16"	107"	41 lbs.	\$373.00	(100.25)
18107.SSEP	18"	107"	45 lbs.	\$373.00	(100.25)
20107.SSEP	20"	107"	48 lbs.	\$388.00	(100.25)
24107.SSEP	24"	107"	56 lbs.	\$403.00	(100.25)
26107.SSEP	26"	107"	60 lbs.	\$419.00	(100.25)
30107.SSEP	30"	107"	67 lbs.	\$419.00	(100.25)
32107.SSEP	32"	107"	71 lbs.	\$432.00	(100.25)
36107.SSEP	36"	107"	78 lbs.	\$432.00	(100.25)
40107.SSEP	40"	107"	86 lbs.	\$432.00	(100.25)
48107.SSEP	48"	107"	101 lbs.	\$449.00	(100.25)
54107.SSEP	54"	107"	112 lbs.	\$628.00	(100.25)
60107.SSEP	60"	107"	124 lbs.	\$807.00	(100.25)

POWERED 1000 SERIES END PANELS

Steel

Powered 1000 Series Static					
Part Number	Width	Height	Weight	List Price	Shelving Height
09128.SSEP	09"	128"	30 lbs.	\$417.00	(121.25)
10128.SSEP	10"	128"	33 lbs.	\$417.00	(121.25)
12128.SSEP	12"	128"	40 lbs.	\$417.00	(121.25)
13128.SSEP	13"	128"	42 lbs.	\$436.00	(121.25)
15128.SSEP	15"	128"	46 lbs.	\$436.00	(121.25)
16128.SSEP	16"	128"	49 lbs.	\$454.00	(121.25)
18128.SSEP	18"	128"	53 lbs.	\$454.00	(121.25)
20128.SSEP	20"	128"	58 lbs.	\$473.00	(121.25)
24128.SSEP	24"	128"	66 lbs.	\$490.00	(121.25)
26128.SSEP	26"	128"	71 lbs.	\$511.00	(121.25)
30128.SSEP	30"	128"	80 lbs.	\$511.00	(121.25)
32128.SSEP	32"	128"	84 lbs.	\$526.00	(121.25)
36128.SSEP	36"	128"	93 lbs.	\$526.00	(121.25)
40128.SSEP	40"	128"	102 lbs.	\$526.00	(121.25)
48128.SSEP	48"	128"	120 lbs.	\$546.00	(121.25)
54128.SSEP	54"	128"	134 lbs.	\$766.00	(121.25)
60128.SSEP	60"	128"	147 lbs.	\$987.00	(121.25)

POWERED 1000 SERIES END PANELS

Low Pressure Laminate with Composite Edge

Powered 1000 Series for Single Keypad						Powered 1000 Series for Dual Keypads				
Part Number	Width	Height	Weight	List Price	Shelving Height	Part Number	Width	Height	Weight	List Price
09071.ML1P	09"	71"	19 lbs.	\$382.00	(64.25)					
10071.ML1P	10"	71"	21 lbs.	\$382.00	(64.25)					
12071.ML1P	12"	71"	24 lbs.	\$382.00	(64.25)					
13071.ML1P	13"	71"	26 lbs.	\$382.00	(64.25)					
15071.ML1P	15"	71"	30 lbs.	\$427.00	(64.25)	15071.ML2P	15"	71"	30 lbs.	\$427.00
16071.ML1P	16"	71"	31 lbs.	\$427.00	(64.25)	16071.ML2P	16"	71"	31 lbs.	\$427.00
18071.ML1P	18"	71"	35 lbs.	\$442.00	(64.25)	18071.ML2P	18"	71"	35 lbs.	\$442.00
20071.ML1P	20"	71"	38 lbs.	\$454.00	(64.25)	20071.ML2P	20"	71"	38 lbs.	\$454.00
24071.ML1P	24"	71"	45 lbs.	\$476.00	(64.25)	24071.ML2P	24"	71"	45 lbs.	\$476.00
26071.ML1P	26"	71"	48 lbs.	\$566.00	(64.25)	26071.ML2P	26"	71"	48 lbs.	\$566.00
30071.ML1P	30"	71"	55 lbs.	\$566.00	(64.25)	30071.ML2P	30"	71"	55 lbs.	\$566.00
32071.ML1P	32"	71"	58 lbs.	\$596.00	(64.25)	32071.ML2P	32"	71"	58 lbs.	\$596.00
36071.ML1P	36"	71"	65 lbs.	\$596.00	(64.25)	36071.ML2P	36"	71"	65 lbs.	\$596.00
40071.ML1P	40"	71"	72 lbs.	\$672.00	(64.25)	40071.ML2P	40"	71"	72 lbs.	\$672.00
48071.ML1P	48"	71"	86 lbs.	\$672.00	(64.25)	48071.ML2P	48"	71"	86 lbs.	\$672.00
54071.ML1P	54"	71"	96 lbs.	\$756.00	(64.25)	54071.ML2P	54"	71"	96 lbs.	\$756.00
60071.ML1P	60"	71"	106 lbs.	\$756.00	(64.25)	60071.ML2P	60"	71"	106 lbs.	\$756.00
09083.ML1P	09"	83"	22 lbs.	\$382.00	(76.25)					
10083.ML1P	10"	83"	24 lbs.	\$382.00	(76.25)					
12083.ML1P	12"	83"	29 lbs.	\$382.00	(76.25)					
13083.ML1P	13"	83"	31 lbs.	\$382.00	(76.25)					
15083.ML1P	15"	83"	35 lbs.	\$427.00	(76.25)	15083.ML2P	15"	83"	35 lbs.	\$427.00
16083.ML1P	16"	83"	37 lbs.	\$427.00	(76.25)	16083.ML2P	16"	83"	37 lbs.	\$427.00
18083.ML1P	18"	83"	40 lbs.	\$442.00	(76.25)	18083.ML2P	18"	83"	40 lbs.	\$442.00
20083.ML1P	20"	83"	44 lbs.	\$454.00	(76.25)	20083.ML2P	20"	83"	44 lbs.	\$454.00
24083.ML1P	24"	83"	52 lbs.	\$476.00	(76.25)	24083.ML2P	24"	83"	52 lbs.	\$476.00
26083.ML1P	26"	83"	56 lbs.	\$566.00	(76.25)	26083.ML2P	26"	83"	56 lbs.	\$566.00
30083.ML1P	30"	83"	64 lbs.	\$566.00	(76.25)	30083.ML2P	30"	83"	64 lbs.	\$566.00
32083.ML1P	32"	83"	68 lbs.	\$596.00	(76.25)	32083.ML2P	32"	83"	68 lbs.	\$596.00
36083.ML1P	36"	83"	76 lbs.	\$596.00	(76.25)	36083.ML2P	36"	83"	76 lbs.	\$596.00
40083.ML1P	40"	83"	84 lbs.	\$672.00	(76.25)	40083.ML2P	40"	83"	84 lbs.	\$672.00
48083.ML1P	48"	83"	100 lbs.	\$672.00	(76.25)	48083.ML2P	48"	83"	100 lbs.	\$672.00
54083.ML1P	54"	83"	112 lbs.	\$756.00	(76.25)	54083.ML2P	54"	83"	112 lbs.	\$756.00
60083.ML1P	60"	83"	124 lbs.	\$756.00	(76.25)	60083.ML2P	60"	83"	124 lbs.	\$756.00
09092.ML1P	09"	92"	24 lbs.	\$382.00	(85.25)					
10092.ML1P	10"	92"	26 lbs.	\$382.00	(85.25)					
12092.ML1P	12"	92"	31 lbs.	\$382.00	(85.25)					
13092.ML1P	13"	92"	33 lbs.	\$382.00	(85.25)					
15092.ML1P	15"	92"	37 lbs.	\$427.00	(85.25)	15092.ML2P	15"	92"	37 lbs.	\$427.00
16092.ML1P	16"	92"	39 lbs.	\$427.00	(85.25)	16092.ML2P	16"	92"	39 lbs.	\$427.00
18092.ML1P	18"	92"	43 lbs.	\$442.00	(85.25)	18092.ML2P	18"	92"	43 lbs.	\$442.00
20092.ML1P	20"	92"	48 lbs.	\$454.00	(85.25)	20092.ML2P	20"	92"	48 lbs.	\$454.00
24092.ML1P	24"	92"	56 lbs.	\$476.00	(85.25)	24092.ML2P	24"	92"	56 lbs.	\$476.00
26092.ML1P	26"	92"	60 lbs.	\$566.00	(85.25)	26092.ML2P	26"	92"	60 lbs.	\$566.00
30092.ML1P	30"	92"	69 lbs.	\$566.00	(85.25)	30092.ML2P	30"	92"	69 lbs.	\$566.00
32092.ML1P	32"	92"	73 lbs.	\$596.00	(85.25)	32092.ML2P	32"	92"	73 lbs.	\$596.00
36092.ML1P	36"	92"	82 lbs.	\$596.00	(85.25)	36092.ML2P	36"	92"	82 lbs.	\$596.00
40092.ML1P	40"	92"	90 lbs.	\$672.00	(85.25)	40092.ML2P	40"	92"	90 lbs.	\$672.00
48092.ML1P	48"	92"	107 lbs.	\$672.00	(85.25)	48092.ML2P	48"	92"	107 lbs.	\$672.00
54092.ML1P	54"	92"	120 lbs.	\$756.00	(85.25)	54092.ML2P	54"	92"	120 lbs.	\$756.00
60092.ML1P	60"	92"	133 lbs.	\$756.00	(85.25)	60092.ML2P	60"	92"	133 lbs.	\$756.00

ML1P Models are drilled with a single hole for Electric Keypad.

ML2P Models are drilled with 2 holes for 2 Electric Keypads.

Low Pressure Laminate Options Include: Antique White, Black, Fog Gray, Manitoba Maple.

POWERED 1000 SERIES END PANELS

Low Pressure Laminate with Composite Edge

Powered 1000 Series for Single Keypad						Powered 1000 Series for Dual Keypads				
Part Number	Width	Height	Weight	List Price	Shelving Height	Part Number	Width	Height	Weight	List Price
09095.ML1P	09"	95"	24 lbs.	\$382.00	(88.25)					
10095.ML1P	10"	95"	27 lbs.	\$382.00	(88.25)					
12095.ML1P	12"	95"	32 lbs.	\$382.00	(88.25)					
13095.ML1P	13"	95"	34 lbs.	\$382.00	(88.25)					
15095.ML1P	15"	95"	38 lbs.	\$427.00	(88.25)	15095.ML2P	15"	95"	38 lbs.	\$427.00
16095.ML1P	16"	95"	40 lbs.	\$427.00	(88.25)	16095.ML2P	16"	95"	40 lbs.	\$427.00
18095.ML1P	18"	95"	45 lbs.	\$442.00	(88.25)	18095.ML2P	18"	95"	45 lbs.	\$442.00
20095.ML1P	20"	95"	49 lbs.	\$454.00	(88.25)	20095.ML2P	20"	95"	49 lbs.	\$454.00
24095.ML1P	24"	95"	58 lbs.	\$476.00	(88.25)	24095.ML2P	24"	95"	58 lbs.	\$476.00
26095.ML1P	26"	95"	62 lbs.	\$566.00	(88.25)	26095.ML2P	26"	95"	62 lbs.	\$566.00
30095.ML1P	30"	95"	71 lbs.	\$566.00	(88.25)	30095.ML2P	30"	95"	71 lbs.	\$566.00
32095.ML1P	32"	95"	76 lbs.	\$596.00	(88.25)	32095.ML2P	32"	95"	76 lbs.	\$596.00
36095.ML1P	36"	95"	84 lbs.	\$596.00	(88.25)	36095.ML2P	36"	95"	84 lbs.	\$596.00
40095.ML1P	40"	95"	93 lbs.	\$672.00	(88.25)	40095.ML2P	40"	95"	93 lbs.	\$672.00
48095.ML1P	48"	95"	111 lbs.	\$672.00	(88.25)	48095.ML2P	48"	95"	111 lbs.	\$672.00
54095.ML1P	54"	95"	124 lbs.	\$756.00	(88.25)	54095.ML2P	54"	95"	124 lbs.	\$756.00
60095.ML1P	60"	95"	137 lbs.	\$756.00	(88.25)	60095.ML2P	60"	95"	137 lbs.	\$756.00
09104.ML1P	09"	104"	26 lbs.	\$407.00	(97.25)					
10104.ML1P	10"	104"	29 lbs.	\$407.00	(97.25)					
12104.ML1P	12"	104"	35 lbs.	\$407.00	(97.25)					
13104.ML1P	13"	104"	37 lbs.	\$407.00	(97.25)					
15104.ML1P	15"	104"	42 lbs.	\$456.00	(97.25)	15104.ML2P	15"	104"	42 lbs.	\$456.00
16104.ML1P	16"	104"	44 lbs.	\$456.00	(97.25)	16104.ML2P	16"	104"	44 lbs.	\$456.00
18104.ML1P	18"	104"	49 lbs.	\$478.00	(97.25)	18104.ML2P	18"	104"	49 lbs.	\$478.00
20104.ML1P	20"	104"	54 lbs.	\$490.00	(97.25)	20104.ML2P	20"	104"	54 lbs.	\$490.00
24104.ML1P	24"	104"	64 lbs.	\$519.00	(97.25)	24104.ML2P	24"	104"	64 lbs.	\$519.00
26104.ML1P	26"	104"	69 lbs.	\$618.00	(97.25)	26104.ML2P	26"	104"	69 lbs.	\$618.00
30104.ML1P	30"	104"	78 lbs.	\$618.00	(97.25)	30104.ML2P	30"	104"	78 lbs.	\$618.00
32104.ML1P	32"	104"	83 lbs.	\$654.00	(97.25)	32104.ML2P	32"	104"	83 lbs.	\$654.00
36104.ML1P	36"	104"	93 lbs.	\$654.00	(97.25)	36104.ML2P	36"	104"	93 lbs.	\$654.00
40104.ML1P	40"	104"	102 lbs.	\$751.00	(97.25)	40104.ML2P	40"	104"	102 lbs.	\$751.00
48104.ML1P	48"	104"	122 lbs.	\$751.00	(97.25)	48104.ML2P	48"	104"	122 lbs.	\$751.00
54104.ML1P	54"	104"	136 lbs.	\$847.00	(97.25)	54104.ML2P	54"	104"	136 lbs.	\$847.00
60104.ML1P	60"	104"	151 lbs.	\$847.00	(97.25)	60104.ML2P	60"	104"	151 lbs.	\$847.00
09107.ML1P	09"	107"	27 lbs.	\$407.00	(100.25)					
10107.ML1P	10"	107"	30 lbs.	\$407.00	(100.25)					
12107.ML1P	12"	107"	36 lbs.	\$407.00	(100.25)					
13107.ML1P	13"	107"	38 lbs.	\$407.00	(100.25)					
15107.ML1P	15"	107"	43 lbs.	\$456.00	(100.25)	15107.ML2P	15"	107"	43 lbs.	\$456.00
16107.ML1P	16"	107"	46 lbs.	\$456.00	(100.25)	16107.ML2P	16"	107"	46 lbs.	\$456.00
18107.ML1P	18"	107"	51 lbs.	\$478.00	(100.25)	18107.ML2P	18"	107"	51 lbs.	\$478.00
20107.ML1P	20"	107"	56 lbs.	\$490.00	(100.25)	20107.ML2P	20"	107"	56 lbs.	\$490.00
24107.ML1P	24"	107"	66 lbs.	\$519.00	(100.25)	24107.ML2P	24"	107"	66 lbs.	\$519.00
26107.ML1P	26"	107"	71 lbs.	\$618.00	(100.25)	26107.ML2P	26"	107"	71 lbs.	\$618.00
30107.ML1P	30"	107"	81 lbs.	\$618.00	(100.25)	30107.ML2P	30"	107"	81 lbs.	\$618.00
32107.ML1P	32"	107"	86 lbs.	\$654.00	(100.25)	32107.ML2P	32"	107"	86 lbs.	\$654.00
36107.ML1P	36"	107"	95 lbs.	\$654.00	(100.25)	36107.ML2P	36"	107"	95 lbs.	\$654.00
40107.ML1P	40"	107"	105 lbs.	\$750.00	(100.25)	40107.ML2P	40"	107"	105 lbs.	\$750.00
48107.ML1P	48"	107"	125 lbs.	\$750.00	(100.25)	48107.ML2P	48"	107"	125 lbs.	\$750.00
54107.ML1P	54"	107"	140 lbs.	\$847.00	(100.25)	54107.ML2P	54"	107"	140 lbs.	\$847.00
60107.ML1P	60"	107"	155 lbs.	\$847.00	(100.25)	60107.ML2P	60"	107"	155 lbs.	\$847.00

ML1P Models are drilled with a single hole for Electric Keypad.

ML2P Models are drilled with 2 holes for 2 Electric Keypads.

Low Pressure Laminate Options Include: Antique White, Black, Fog Gray, Manitoba Maple.

POWERED 1000 SERIES END PANELS

Low Pressure Laminate with Composite Edge

Powered 1000 Series for Single Keypad						Powered 1000 Series for Dual Keypads				
Part Number	Width	Height	Weight	List Price	Shelving Height	Part Number	Width	Height	Weight	List Price
09128.ML1P	09"	128"	33 lbs.	\$490.00	(121.25)					
10128.ML1P	10"	128"	36 lbs.	\$490.00	(121.25)					
12128.ML1P	12"	128"	43 lbs.	\$490.00	(121.25)					
13128.ML1P	13"	128"	46 lbs.	\$490.00	(121.25)					
15128.ML1P	15"	128"	52 lbs.	\$546.00	(121.25)	15128.ML2P	15"	128"	52 lbs.	\$546.00
16128.ML1P	16"	128"	55 lbs.	\$546.00	(121.25)	16128.ML2P	16"	128"	55 lbs.	\$546.00
18128.ML1P	18"	128"	61 lbs.	\$572.00	(121.25)	18128.ML2P	18"	128"	61 lbs.	\$572.00
20128.ML1P	20"	128"	67 lbs.	\$585.00	(121.25)	20128.ML2P	20"	128"	67 lbs.	\$585.00
24128.ML1P	24"	128"	79 lbs.	\$619.00	(121.25)	24128.ML2P	24"	128"	79 lbs.	\$619.00
26128.ML1P	26"	128"	85 lbs.	\$733.00	(121.25)	26128.ML2P	26"	128"	85 lbs.	\$733.00
30128.ML1P	30"	128"	97 lbs.	\$733.00	(121.25)	30128.ML2P	30"	128"	97 lbs.	\$733.00
32128.ML1P	32"	128"	103 lbs.	\$775.00	(121.25)	32128.ML2P	32"	128"	103 lbs.	\$775.00
36128.ML1P	36"	128"	115 lbs.	\$775.00	(121.25)	36128.ML2P	36"	128"	115 lbs.	\$775.00
40128.ML1P	40"	128"	127 lbs.	\$886.00	(121.25)	40128.ML2P	40"	128"	127 lbs.	\$886.00
48128.ML1P	48"	128"	151 lbs.	\$886.00	(121.25)	48128.ML2P	48"	128"	151 lbs.	\$886.00
54128.ML1P	54"	128"	169 lbs.	\$996.00	(121.25)	54128.ML2P	54"	128"	169 lbs.	\$996.00
60128.ML1P	60"	128"	187 lbs.	\$996.00	(121.25)	60128.ML2P	60"	128"	187 lbs.	\$996.00

ML1P Models are drilled with a single hole for Electric Keypad.

ML2P Models are drilled with 2 holes for 2 Electric Keypads.

Low Pressure Laminate Options Include: Antique White, Black, Fog Gray, Manitoba Maple.

POWERED 1000 SERIES END PANELS

Low Pressure Laminate with Composite Edge

Powered 1000 Series Static					
Part Number	Width	Height	Weight	List Price	Shelving Height
09071.SLEP	09"	71"	19 lbs.	\$382.00	(64.25)
10071.SLEP	10"	71"	21 lbs.	\$382.00	(64.25)
12071.SLEP	12"	71"	24 lbs.	\$382.00	(64.25)
13071.SLEP	13"	71"	26 lbs.	\$382.00	(64.25)
15071.SLEP	15"	71"	30 lbs.	\$426.00	(64.25)
16071.SLEP	16"	71"	31 lbs.	\$426.00	(64.25)
18071.SLEP	18"	71"	35 lbs.	\$442.00	(64.25)
20071.SLEP	20"	71"	38 lbs.	\$453.00	(64.25)
24071.SLEP	24"	71"	45 lbs.	\$476.00	(64.25)
26071.SLEP	26"	71"	48 lbs.	\$566.00	(64.25)
30071.SLEP	30"	71"	55 lbs.	\$566.00	(64.25)
32071.SLEP	32"	71"	58 lbs.	\$595.00	(64.25)
36071.SLEP	36"	71"	65 lbs.	\$595.00	(64.25)
40071.SLEP	40"	71"	72 lbs.	\$671.00	(64.25)
48071.SLEP	48"	71"	86 lbs.	\$671.00	(64.25)
54071.SLEP	54"	71"	96 lbs.	\$756.00	(64.25)
60071.SLEP	60"	71"	106 lbs.	\$756.00	(64.25)
09083.SLEP	09"	83"	22 lbs.	\$382.00	(76.25)
10083.SLEP	10"	83"	24 lbs.	\$382.00	(76.25)
12083.SLEP	12"	83"	29 lbs.	\$382.00	(76.25)
13083.SLEP	13"	83"	31 lbs.	\$382.00	(76.25)
15083.SLEP	15"	83"	35 lbs.	\$426.00	(76.25)
16083.SLEP	16"	83"	37 lbs.	\$426.00	(76.25)
18083.SLEP	18"	83"	40 lbs.	\$442.00	(76.25)
20083.SLEP	20"	83"	44 lbs.	\$453.00	(76.25)
24083.SLEP	24"	83"	52 lbs.	\$476.00	(76.25)
26083.SLEP	26"	83"	56 lbs.	\$566.00	(76.25)
30083.SLEP	30"	83"	64 lbs.	\$566.00	(76.25)
32083.SLEP	32"	83"	68 lbs.	\$595.00	(76.25)
36083.SLEP	36"	83"	76 lbs.	\$595.00	(76.25)
40083.SLEP	40"	83"	84 lbs.	\$671.00	(76.25)
48083.SLEP	48"	83"	100 lbs.	\$671.00	(76.25)
54083.SLEP	54"	83"	112 lbs.	\$756.00	(76.25)
60083.SLEP	60"	83"	124 lbs.	\$756.00	(76.25)
09092.SLEP	09"	92"	23 lbs.	\$382.00	(85.25)
10092.SLEP	10"	92"	26 lbs.	\$382.00	(85.25)
12092.SLEP	12"	92"	31 lbs.	\$382.00	(85.25)
13092.SLEP	13"	92"	33 lbs.	\$382.00	(85.25)
15092.SLEP	15"	92"	37 lbs.	\$426.00	(85.25)
16092.SLEP	16"	92"	39 lbs.	\$426.00	(85.25)
18092.SLEP	18"	92"	43 lbs.	\$442.00	(85.25)
20092.SLEP	20"	92"	48 lbs.	\$453.00	(85.25)
24092.SLEP	24"	92"	56 lbs.	\$476.00	(85.25)
26092.SLEP	26"	92"	60 lbs.	\$566.00	(85.25)
30092.SLEP	30"	92"	69 lbs.	\$566.00	(85.25)
32092.SLEP	32"	92"	73 lbs.	\$595.00	(85.25)
36092.SLEP	36"	92"	82 lbs.	\$595.00	(85.25)
40092.SLEP	40"	92"	90 lbs.	\$671.00	(85.25)
48092.SLEP	48"	92"	107 lbs.	\$671.00	(85.25)
54092.SLEP	54"	92"	120 lbs.	\$756.00	(85.25)
60092.SLEP	60"	92"	133 lbs.	\$756.00	(85.25)

Low Pressure Laminate Options Include: Antique White, Black, Fog Gray, Manitoba Maple.

POWERED 1000 SERIES END PANELS

Low Pressure Laminate with Composite Edge

Powered 1000 Series Static					
Part Number	Width	Height	Weight	List Price	Shelving Height
09095.SLEP	09"	95"	24 lbs.	\$382.00	(88.25)
10095.SLEP	10"	95"	27 lbs.	\$382.00	(88.25)
12095.SLEP	12"	95"	32 lbs.	\$382.00	(88.25)
13095.SLEP	13"	95"	34 lbs.	\$382.00	(88.25)
15095.SLEP	15"	95"	38 lbs.	\$426.00	(88.25)
16095.SLEP	16"	95"	40 lbs.	\$426.00	(88.25)
18095.SLEP	18"	95"	45 lbs.	\$442.00	(88.25)
20095.SLEP	20"	95"	49 lbs.	\$453.00	(88.25)
24095.SLEP	24"	95"	58 lbs.	\$476.00	(88.25)
26095.SLEP	26"	95"	62 lbs.	\$566.00	(88.25)
30095.SLEP	30"	95"	71 lbs.	\$566.00	(88.25)
32095.SLEP	32"	95"	76 lbs.	\$595.00	(88.25)
36095.SLEP	36"	95"	84 lbs.	\$595.00	(88.25)
40095.SLEP	40"	95"	93 lbs.	\$671.00	(88.25)
48095.SLEP	48"	95"	111 lbs.	\$671.00	(88.25)
54095.SLEP	54"	95"	124 lbs.	\$756.00	(88.25)
60095.SLEP	60"	95"	137 lbs.	\$756.00	(88.25)
09104.SLEP	09"	104"	26 lbs.	\$407.00	(97.25)
10104.SLEP	10"	104"	29 lbs.	\$407.00	(97.25)
12104.SLEP	12"	104"	35 lbs.	\$407.00	(97.25)
13104.SLEP	13"	104"	37 lbs.	\$407.00	(97.25)
15104.SLEP	15"	104"	42 lbs.	\$456.00	(97.25)
16104.SLEP	16"	104"	44 lbs.	\$456.00	(97.25)
18104.SLEP	18"	104"	49 lbs.	\$477.00	(97.25)
20104.SLEP	20"	104"	54 lbs.	\$489.00	(97.25)
24104.SLEP	24"	104"	64 lbs.	\$519.00	(97.25)
26104.SLEP	26"	104"	69 lbs.	\$618.00	(97.25)
30104.SLEP	30"	104"	78 lbs.	\$618.00	(97.25)
32104.SLEP	32"	104"	83 lbs.	\$653.00	(97.25)
36104.SLEP	36"	104"	93 lbs.	\$653.00	(97.25)
40104.SLEP	40"	104"	102 lbs.	\$750.00	(97.25)
48104.SLEP	48"	104"	122 lbs.	\$750.00	(97.25)
54104.SLEP	54"	104"	136 lbs.	\$847.00	(97.25)
60104.SLEP	60"	104"	151 lbs.	\$847.00	(97.25)
09107.SLEP	09"	107"	27 lbs.	\$407.00	(100.25)
10107.SLEP	10"	107"	30 lbs.	\$407.00	(100.25)
12107.SLEP	12"	107"	36 lbs.	\$407.00	(100.25)
13107.SLEP	13"	107"	38 lbs.	\$407.00	(100.25)
15107.SLEP	15"	107"	43 lbs.	\$456.00	(100.25)
16107.SLEP	16"	107"	46 lbs.	\$456.00	(100.25)
18107.SLEP	18"	107"	51 lbs.	\$477.00	(100.25)
20107.SLEP	20"	107"	56 lbs.	\$489.00	(100.25)
24107.SLEP	24"	107"	66 lbs.	\$519.00	(100.25)
26107.SLEP	26"	107"	71 lbs.	\$618.00	(100.25)
30107.SLEP	30"	107"	81 lbs.	\$618.00	(100.25)
32107.SLEP	32"	107"	86 lbs.	\$653.00	(100.25)
36107.SLEP	36"	107"	95 lbs.	\$653.00	(100.25)
40107.SLEP	40"	107"	105 lbs.	\$750.00	(100.25)
48107.SLEP	48"	107"	125 lbs.	\$750.00	(100.25)
54107.SLEP	54"	107"	140 lbs.	\$847.00	(100.25)
60107.SLEP	60"	107"	155 lbs.	\$847.00	(100.25)

Low Pressure Laminate Options Include: Antique White, Black, Fog Gray, Manitoba Maple.

POWERED 1000 SERIES END PANELS

Low Pressure Laminate with Composite Edge

Powered 1000 Series Static					
Part Number	Width	Height	Weight	List Price	Shelving Height
09128.SLEP	09"	128"	33 lbs.	\$490.00	(121.25)
10128.SLEP	10"	128"	36 lbs.	\$490.00	(121.25)
12128.SLEP	12"	128"	43 lbs.	\$490.00	(121.25)
13128.SLEP	13"	128"	46 lbs.	\$490.00	(121.25)
15128.SLEP	15"	128"	52 lbs.	\$546.00	(121.25)
16128.SLEP	16"	128"	55 lbs.	\$546.00	(121.25)
18128.SLEP	18"	128"	61 lbs.	\$572.00	(121.25)
20128.SLEP	20"	128"	67 lbs.	\$585.00	(121.25)
24128.SLEP	24"	128"	79 lbs.	\$619.00	(121.25)
26128.SLEP	26"	128"	85 lbs.	\$733.00	(121.25)
30128.SLEP	30"	128"	97 lbs.	\$733.00	(121.25)
32128.SLEP	32"	128"	103 lbs.	\$775.00	(121.25)
36128.SLEP	36"	128"	115 lbs.	\$775.00	(121.25)
40128.SLEP	40"	128"	127 lbs.	\$886.00	(121.25)
48128.SLEP	48"	128"	151 lbs.	\$886.00	(121.25)
54128.SLEP	54"	128"	169 lbs.	\$996.00	(121.25)
60128.SLEP	60"	128"	187 lbs.	\$996.00	(121.25)

Low Pressure Laminate Options Include: Antique White, Black, Fog Gray, Manitoba Maple.

POWERED 1000 SERIES END PANELS

High Pressure Laminate with Composite Edge

Powered 1000 Series for Single Keypad					Shelving Height	Powered 1000 Series for Dual Keypads				
Part Number	Width	Height	Weight	List Price		Part Number	Width	Height	Weight	List Price
09071.MH1P	09"	71"	19 lbs.	\$422.00	(64.25)					
10071.MH1P	10"	71"	21 lbs.	\$422.00	(64.25)					
12071.MH1P	12"	71"	24 lbs.	\$422.00	(64.25)					
13071.MH1P	13"	71"	26 lbs.	\$422.00	(64.25)					
15071.MH1P	15"	71"	30 lbs.	\$440.00	(64.25)	15071.MH2P	15"	71"	30 lbs.	\$440.00
16071.MH1P	16"	71"	31 lbs.	\$440.00	(64.25)	16071.MH2P	16"	71"	31 lbs.	\$440.00
18071.MH1P	18"	71"	35 lbs.	\$457.00	(64.25)	18071.MH2P	18"	71"	35 lbs.	\$457.00
20071.MH1P	20"	71"	38 lbs.	\$468.00	(64.25)	20071.MH2P	20"	71"	38 lbs.	\$468.00
24071.MH1P	24"	71"	45 lbs.	\$492.00	(64.25)	24071.MH2P	24"	71"	45 lbs.	\$492.00
26071.MH1P	26"	71"	48 lbs.	\$559.00	(64.25)	26071.MH2P	26"	71"	48 lbs.	\$559.00
30071.MH1P	30"	71"	55 lbs.	\$559.00	(64.25)	30071.MH2P	30"	71"	55 lbs.	\$559.00
32071.MH1P	32"	71"	58 lbs.	\$593.00	(64.25)	32071.MH2P	32"	71"	58 lbs.	\$593.00
36071.MH1P	36"	71"	65 lbs.	\$593.00	(64.25)	36071.MH2P	36"	71"	65 lbs.	\$593.00
40071.MH1P	40"	71"	72 lbs.	\$660.00	(64.25)	40071.MH2P	40"	71"	72 lbs.	\$660.00
48071.MH1P	48"	71"	86 lbs.	\$660.00	(64.25)	48071.MH2P	48"	71"	86 lbs.	\$660.00
54071.MH1P	54"	71"	96 lbs.	\$742.00	(64.25)	54071.MH2P	54"	71"	96 lbs.	\$742.00
60071.MH1P	60"	71"	106 lbs.	\$742.00	(64.25)	60071.MH2P	60"	71"	106 lbs.	\$742.00
09083.MH1P	09"	83"	22 lbs.	\$422.00	(76.25)					
10083.MH1P	10"	83"	24 lbs.	\$422.00	(76.25)					
12083.MH1P	12"	83"	29 lbs.	\$422.00	(76.25)					
13083.MH1P	13"	83"	31 lbs.	\$422.00	(76.25)					
15083.MH1P	15"	83"	35 lbs.	\$440.00	(76.25)	15083.MH2P	15"	83"	35 lbs.	\$440.00
16083.MH1P	16"	83"	37 lbs.	\$440.00	(76.25)	16083.MH2P	16"	83"	37 lbs.	\$440.00
18083.MH1P	18"	83"	40 lbs.	\$457.00	(76.25)	18083.MH2P	18"	83"	40 lbs.	\$457.00
20083.MH1P	20"	83"	44 lbs.	\$468.00	(76.25)	20083.MH2P	20"	83"	44 lbs.	\$468.00
24083.MH1P	24"	83"	52 lbs.	\$492.00	(76.25)	24083.MH2P	24"	83"	52 lbs.	\$492.00
26083.MH1P	26"	83"	56 lbs.	\$559.00	(76.25)	26083.MH2P	26"	83"	56 lbs.	\$559.00
30083.MH1P	30"	83"	64 lbs.	\$559.00	(76.25)	30083.MH2P	30"	83"	64 lbs.	\$559.00
32083.MH1P	32"	83"	68 lbs.	\$593.00	(76.25)	32083.MH2P	32"	83"	68 lbs.	\$593.00
36083.MH1P	36"	83"	76 lbs.	\$593.00	(76.25)	36083.MH2P	36"	83"	76 lbs.	\$593.00
40083.MH1P	40"	83"	84 lbs.	\$660.00	(76.25)	40083.MH2P	40"	83"	84 lbs.	\$660.00
48083.MH1P	48"	83"	100 lbs.	\$660.00	(76.25)	48083.MH2P	48"	83"	100 lbs.	\$660.00
54083.MH1P	54"	83"	112 lbs.	\$742.00	(76.25)	54083.MH2P	54"	83"	112 lbs.	\$742.00
60083.MH1P	60"	83"	124 lbs.	\$742.00	(76.25)	60083.MH2P	60"	83"	124 lbs.	\$742.00
09092.MH1P	09"	92"	23 lbs.	\$422.00	(85.25)					
10092.MH1P	10"	92"	26 lbs.	\$422.00	(85.25)					
12092.MH1P	12"	92"	31 lbs.	\$422.00	(85.25)					
13092.MH1P	13"	92"	33 lbs.	\$422.00	(85.25)					
15092.MH1P	15"	92"	37 lbs.	\$440.00	(85.25)	15092.MH2P	15"	92"	37 lbs.	\$440.00
16092.MH1P	16"	92"	39 lbs.	\$440.00	(85.25)	16092.MH2P	16"	92"	39 lbs.	\$440.00
18092.MH1P	18"	92"	43 lbs.	\$457.00	(85.25)	18092.MH2P	18"	92"	43 lbs.	\$457.00
20092.MH1P	20"	92"	48 lbs.	\$468.00	(85.25)	20092.MH2P	20"	92"	48 lbs.	\$468.00
24092.MH1P	24"	92"	56 lbs.	\$492.00	(85.25)	24092.MH2P	24"	92"	56 lbs.	\$492.00
26092.MH1P	26"	92"	60 lbs.	\$559.00	(85.25)	26092.MH2P	26"	92"	60 lbs.	\$559.00
30092.MH1P	30"	92"	69 lbs.	\$559.00	(85.25)	30092.MH2P	30"	92"	69 lbs.	\$559.00
32092.MH1P	32"	92"	73 lbs.	\$593.00	(85.25)	32092.MH2P	32"	92"	73 lbs.	\$593.00
36092.MH1P	36"	92"	82 lbs.	\$593.00	(85.25)	36092.MH2P	36"	92"	82 lbs.	\$593.00
40092.MH1P	40"	92"	90 lbs.	\$660.00	(85.25)	40092.MH2P	40"	92"	90 lbs.	\$660.00
48092.MH1P	48"	92"	107 lbs.	\$660.00	(85.25)	48092.MH2P	48"	92"	107 lbs.	\$660.00
54092.MH1P	54"	92"	120 lbs.	\$742.00	(85.25)	54092.MH2P	54"	92"	120 lbs.	\$742.00
60092.MH1P	60"	92"	133 lbs.	\$742.00	(85.25)	60092.MH2P	60"	92"	133 lbs.	\$742.00

MH1P Models are drilled with a single hole for Electric Keypad.

MH2P Models are drilled with 2 holes for 2 Electric Keypads.

Prices reflect Standard Wilsonart Laminates.

Wilsonart Premium and High Definition Laminates are also available as a custom order. Call Customer Service for a quote.

POWERED 1000 SERIES END PANELS

High Pressure Laminate with Composite Edge

Powered 1000 Series for Single Keypad						Powered 1000 Series for Dual Keypads				
Part Number	Width	Height	Weight	List Price	Shelving Height	Part Number	Width	Height	Weight	List Price
09095.MH1P	09"	95"	24 lbs.	\$422.00	(88.25)					
10095.MH1P	10"	95"	27 lbs.	\$422.00	(88.25)					
12095.MH1P	12"	95"	32 lbs.	\$422.00	(88.25)					
13095.MH1P	13"	95"	34 lbs.	\$422.00	(88.25)					
15095.MH1P	15"	95"	38 lbs.	\$440.00	(88.25)	15095.MH2P	15"	95"	38 lbs.	\$440.00
16095.MH1P	16"	95"	40 lbs.	\$440.00	(88.25)	16095.MH2P	16"	95"	40 lbs.	\$440.00
18095.MH1P	18"	95"	45 lbs.	\$457.00	(88.25)	18095.MH2P	18"	95"	45 lbs.	\$457.00
20095.MH1P	20"	95"	49 lbs.	\$468.00	(88.25)	20095.MH2P	20"	95"	49 lbs.	\$468.00
24095.MH1P	24"	95"	58 lbs.	\$492.00	(88.25)	24095.MH2P	24"	95"	58 lbs.	\$492.00
26095.MH1P	26"	95"	62 lbs.	\$559.00	(88.25)	26095.MH2P	26"	95"	62 lbs.	\$559.00
30095.MH1P	30"	95"	71 lbs.	\$559.00	(88.25)	30095.MH2P	30"	95"	71 lbs.	\$559.00
32095.MH1P	32"	95"	76 lbs.	\$593.00	(88.25)	32095.MH2P	32"	95"	76 lbs.	\$593.00
36095.MH1P	36"	95"	84 lbs.	\$593.00	(88.25)	36095.MH2P	36"	95"	84 lbs.	\$593.00
40095.MH1P	40"	95"	93 lbs.	\$660.00	(88.25)	40095.MH2P	40"	95"	93 lbs.	\$660.00
48095.MH1P	48"	95"	111 lbs.	\$660.00	(88.25)	48095.MH2P	48"	95"	111 lbs.	\$660.00
54095.MH1P	54"	95"	124 lbs.	\$742.00	(88.25)	54095.MH2P	54"	95"	124 lbs.	\$742.00
60095.MH1P	60"	95"	137 lbs.	\$742.00	(88.25)	60095.MH2P	60"	95"	137 lbs.	\$742.00
09104.MH1P	09"	104"	26 lbs.	\$449.00	(97.25)					
10104.MH1P	10"	104"	29 lbs.	\$449.00	(97.25)					
12104.MH1P	12"	104"	35 lbs.	\$449.00	(97.25)					
13104.MH1P	13"	104"	37 lbs.	\$449.00	(97.25)					
15104.MH1P	15"	104"	42 lbs.	\$470.00	(97.25)	15104.MH2P	15"	104"	42 lbs.	\$470.00
16104.MH1P	16"	104"	44 lbs.	\$470.00	(97.25)	16104.MH2P	16"	104"	44 lbs.	\$470.00
18104.MH1P	18"	104"	49 lbs.	\$494.00	(97.25)	18104.MH2P	18"	104"	49 lbs.	\$494.00
20104.MH1P	20"	104"	54 lbs.	\$505.00	(97.25)	20104.MH2P	20"	104"	54 lbs.	\$505.00
24104.MH1P	24"	104"	64 lbs.	\$536.00	(97.25)	24104.MH2P	24"	104"	64 lbs.	\$536.00
26104.MH1P	26"	104"	69 lbs.	\$610.00	(97.25)	26104.MH2P	26"	104"	69 lbs.	\$610.00
30104.MH1P	30"	104"	78 lbs.	\$610.00	(97.25)	30104.MH2P	30"	104"	78 lbs.	\$610.00
32104.MH1P	32"	104"	83 lbs.	\$651.00	(97.25)	32104.MH2P	32"	104"	83 lbs.	\$651.00
36104.MH1P	36"	104"	93 lbs.	\$651.00	(97.25)	36104.MH2P	36"	104"	93 lbs.	\$651.00
40104.MH1P	40"	104"	102 lbs.	\$738.00	(97.25)	40104.MH2P	40"	104"	102 lbs.	\$738.00
48104.MH1P	48"	104"	122 lbs.	\$738.00	(97.25)	48104.MH2P	48"	104"	122 lbs.	\$738.00
54104.MH1P	54"	104"	136 lbs.	\$831.00	(97.25)	54104.MH2P	54"	104"	136 lbs.	\$831.00
60104.MH1P	60"	104"	151 lbs.	\$831.00	(97.25)	60104.MH2P	60"	104"	151 lbs.	\$831.00
09107.MH1P	09"	107"	27 lbs.	\$449.00	(100.25)					
10107.MH1P	10"	107"	30 lbs.	\$449.00	(100.25)					
12107.MH1P	12"	107"	36 lbs.	\$449.00	(100.25)					
13107.MH1P	13"	107"	38 lbs.	\$449.00	(100.25)					
15107.MH1P	15"	107"	43 lbs.	\$470.00	(100.25)	15107.MH2P	15"	107"	43 lbs.	\$470.00
16107.MH1P	16"	107"	46 lbs.	\$470.00	(100.25)	16107.MH2P	16"	107"	46 lbs.	\$470.00
18107.MH1P	18"	107"	51 lbs.	\$494.00	(100.25)	18107.MH2P	18"	107"	51 lbs.	\$494.00
20107.MH1P	20"	107"	56 lbs.	\$505.00	(100.25)	20107.MH2P	20"	107"	56 lbs.	\$505.00
24107.MH1P	24"	107"	66 lbs.	\$536.00	(100.25)	24107.MH2P	24"	107"	66 lbs.	\$536.00
26107.MH1P	26"	107"	71 lbs.	\$610.00	(100.25)	26107.MH2P	26"	107"	71 lbs.	\$610.00
30107.MH1P	30"	107"	81 lbs.	\$610.00	(100.25)	30107.MH2P	30"	107"	81 lbs.	\$610.00
32107.MH1P	32"	107"	86 lbs.	\$651.00	(100.25)	32107.MH2P	32"	107"	86 lbs.	\$651.00
36107.MH1P	36"	107"	95 lbs.	\$651.00	(100.25)	36107.MH2P	36"	107"	95 lbs.	\$651.00
40107.MH1P	40"	107"	105 lbs.	\$738.00	(100.25)	40107.MH2P	40"	107"	105 lbs.	\$738.00
48107.MH1P	48"	107"	125 lbs.	\$738.00	(100.25)	48107.MH2P	48"	107"	125 lbs.	\$738.00
54107.MH1P	54"	107"	140 lbs.	\$831.00	(100.25)	54107.MH2P	54"	107"	140 lbs.	\$831.00
60107.MH1P	60"	107"	155 lbs.	\$831.00	(100.25)	60107.MH2P	60"	107"	155 lbs.	\$831.00

MH1P Models are drilled with a single hole for Electric Keypad.

MH2P Models are drilled with 2 holes for 2 Electric Keypads.

Prices reflect Standard Wilsonart Laminates.

Wilsonart Premium and High Definition Laminates are also available as a custom order. Call Customer Service for a quote.

POWERED 1000 SERIES END PANELS

High Pressure Laminate with Composite Edge

Powered 1000 Series for Single Keypad					Shelving Height	Powered 1000 Series for Dual Keypads				
Part Number	Width	Height	Weight	List Price		Part Number	Width	Height	Weight	List Price
09128.MH1P	09"	128"	33 lbs.	\$538.00	(121.25)					
10128.MH1P	10"	128"	36 lbs.	\$538.00	(121.25)					
12128.MH1P	12"	128"	43 lbs.	\$538.00	(121.25)					
13128.MH1P	13"	128"	46 lbs.	\$538.00	(121.25)					
15128.MH1P	15"	128"	52 lbs.	\$563.00	(121.25)	15128.MH2P	15"	128"	52 lbs.	\$563.00
16128.MH1P	16"	128"	55 lbs.	\$563.00	(121.25)	16128.MH2P	16"	128"	55 lbs.	\$563.00
18128.MH1P	18"	128"	61 lbs.	\$591.00	(121.25)	18128.MH2P	18"	128"	61 lbs.	\$591.00
20128.MH1P	20"	128"	67 lbs.	\$602.00	(121.25)	20128.MH2P	20"	128"	67 lbs.	\$602.00
24128.MH1P	24"	128"	79 lbs.	\$639.00	(121.25)	24128.MH2P	24"	128"	79 lbs.	\$639.00
26128.MH1P	26"	128"	85 lbs.	\$723.00	(121.25)	26128.MH2P	26"	128"	85 lbs.	\$723.00
30128.MH1P	30"	128"	97 lbs.	\$723.00	(121.25)	30128.MH2P	30"	128"	97 lbs.	\$723.00
32128.MH1P	32"	128"	103 lbs.	\$771.00	(121.25)	32128.MH2P	32"	128"	103 lbs.	\$771.00
36128.MH1P	36"	128"	115 lbs.	\$771.00	(121.25)	36128.MH2P	36"	128"	115 lbs.	\$771.00
40128.MH1P	40"	128"	127 lbs.	\$871.00	(121.25)	40128.MH2P	40"	128"	127 lbs.	\$871.00
48128.MH1P	48"	128"	151 lbs.	\$871.00	(121.25)	48128.MH2P	48"	128"	151 lbs.	\$871.00
54128.MH1P	54"	128"	169 lbs.	\$979.00	(121.25)	54128.MH2P	54"	128"	169 lbs.	\$979.00
60128.MH1P	60"	128"	187 lbs.	\$979.00	(121.25)	60128.MH2P	60"	128"	187 lbs.	\$979.00

MH1P Models are drilled with a single hole for Electric Keypad.

MH2P Models are drilled with 2 holes for 2 Electric Keypads.

Prices reflect Standard Wilsonart Laminates.

Wilsonart Premium and High Definition Laminates are also available as a custom order. Call Customer Service for a quote.

POWERED 1000 SERIES END PANELS

High Pressure Laminate with Composite Edge

Powered 1000 Series Static					
Part Number	Width	Height	Weight	List Price	Shelving Height
09071.SHEP	09"	71"	19 lbs.	\$422.00	(64.25)
10071.SHEP	10"	71"	21 lbs.	\$422.00	(64.25)
12071.SHEP	12"	71"	24 lbs.	\$422.00	(64.25)
13071.SHEP	13"	71"	26 lbs.	\$422.00	(64.25)
15071.SHEP	15"	71"	30 lbs.	\$440.00	(64.25)
16071.SHEP	16"	71"	31 lbs.	\$440.00	(64.25)
18071.SHEP	18"	71"	35 lbs.	\$457.00	(64.25)
20071.SHEP	20"	71"	38 lbs.	\$468.00	(64.25)
24071.SHEP	24"	71"	45 lbs.	\$492.00	(64.25)
26071.SHEP	26"	71"	48 lbs.	\$559.00	(64.25)
30071.SHEP	30"	71"	55 lbs.	\$559.00	(64.25)
32071.SHEP	32"	71"	58 lbs.	\$593.00	(64.25)
36071.SHEP	36"	71"	65 lbs.	\$593.00	(64.25)
40071.SHEP	40"	71"	72 lbs.	\$658.00	(64.25)
48071.SHEP	48"	71"	86 lbs.	\$658.00	(64.25)
54071.SHEP	54"	71"	96 lbs.	\$742.00	(64.25)
60071.SHEP	60"	71"	106 lbs.	\$742.00	(64.25)
09083.SHEP	09"	83"	22 lbs.	\$422.00	(76.25)
10083.SHEP	10"	83"	24 lbs.	\$422.00	(76.25)
12083.SHEP	12"	83"	29 lbs.	\$422.00	(76.25)
13083.SHEP	13"	83"	31 lbs.	\$422.00	(76.25)
15083.SHEP	15"	83"	35 lbs.	\$440.00	(76.25)
16083.SHEP	16"	83"	37 lbs.	\$440.00	(76.25)
18083.SHEP	18"	83"	40 lbs.	\$457.00	(76.25)
20083.SHEP	20"	83"	44 lbs.	\$468.00	(76.25)
24083.SHEP	24"	83"	52 lbs.	\$492.00	(76.25)
26083.SHEP	26"	83"	56 lbs.	\$559.00	(76.25)
30083.SHEP	30"	83"	64 lbs.	\$559.00	(76.25)
32083.SHEP	32"	83"	68 lbs.	\$593.00	(76.25)
36083.SHEP	36"	83"	76 lbs.	\$593.00	(76.25)
40083.SHEP	40"	83"	84 lbs.	\$658.00	(76.25)
48083.SHEP	48"	83"	100 lbs.	\$658.00	(76.25)
54083.SHEP	54"	83"	112 lbs.	\$742.00	(76.25)
60083.SHEP	60"	83"	124 lbs.	\$742.00	(76.25)
09092.SHEP	09"	92"	23 lbs.	\$422.00	(85.25)
10092.SHEP	10"	92"	26 lbs.	\$422.00	(85.25)
12092.SHEP	12"	92"	31 lbs.	\$422.00	(85.25)
13092.SHEP	13"	92"	33 lbs.	\$422.00	(85.25)
15092.SHEP	15"	92"	37 lbs.	\$440.00	(85.25)
16092.SHEP	16"	92"	39 lbs.	\$440.00	(85.25)
18092.SHEP	18"	92"	43 lbs.	\$457.00	(85.25)
20092.SHEP	20"	92"	48 lbs.	\$468.00	(85.25)
24092.SHEP	24"	92"	56 lbs.	\$492.00	(85.25)
26092.SHEP	26"	92"	60 lbs.	\$559.00	(85.25)
30092.SHEP	30"	92"	69 lbs.	\$559.00	(85.25)
32092.SHEP	32"	92"	73 lbs.	\$593.00	(85.25)
36092.SHEP	36"	92"	82 lbs.	\$593.00	(85.25)
40092.SHEP	40"	92"	90 lbs.	\$658.00	(85.25)
48092.SHEP	48"	92"	107 lbs.	\$658.00	(85.25)
54092.SHEP	54"	92"	120 lbs.	\$742.00	(85.25)
60092.SHEP	60"	92"	133 lbs.	\$742.00	(85.25)

Prices reflect Standard Wilsonart Laminates.

Wilsonart Premium and High Definition Laminates are also available as a custom order. Call Customer Service for a quote.

POWERED 1000 SERIES END PANELS

High Pressure Laminate with Composite Edge

Powered 1000 Series Static					
Part Number	Width	Height	Weight	List Price	Shelving Height
09095.SHEP	09"	95"	24 lbs.	\$422.00	(88.25)
10095.SHEP	10"	95"	27 lbs.	\$422.00	(88.25)
12095.SHEP	12"	95"	32 lbs.	\$422.00	(88.25)
13095.SHEP	13"	95"	34 lbs.	\$422.00	(88.25)
15095.SHEP	15"	95"	38 lbs.	\$440.00	(88.25)
16095.SHEP	16"	95"	40 lbs.	\$440.00	(88.25)
18095.SHEP	18"	95"	45 lbs.	\$457.00	(88.25)
20095.SHEP	20"	95"	49 lbs.	\$468.00	(88.25)
24095.SHEP	24"	95"	58 lbs.	\$492.00	(88.25)
26095.SHEP	26"	95"	62 lbs.	\$559.00	(88.25)
30095.SHEP	30"	95"	71 lbs.	\$559.00	(88.25)
32095.SHEP	32"	95"	76 lbs.	\$593.00	(88.25)
36095.SHEP	36"	95"	84 lbs.	\$593.00	(88.25)
40095.SHEP	40"	95"	93 lbs.	\$658.00	(88.25)
48095.SHEP	48"	95"	111 lbs.	\$658.00	(88.25)
54095.SHEP	54"	95"	124 lbs.	\$742.00	(88.25)
60095.SHEP	60"	95"	137 lbs.	\$742.00	(88.25)
09104.SHEP	09"	104"	26 lbs.	\$449.00	(97.25)
10104.SHEP	10"	104"	29 lbs.	\$449.00	(97.25)
12104.SHEP	12"	104"	35 lbs.	\$449.00	(97.25)
13104.SHEP	13"	104"	37 lbs.	\$449.00	(97.25)
15104.SHEP	15"	104"	42 lbs.	\$470.00	(97.25)
16104.SHEP	16"	104"	44 lbs.	\$470.00	(97.25)
18104.SHEP	18"	104"	49 lbs.	\$494.00	(97.25)
20104.SHEP	20"	104"	54 lbs.	\$505.00	(97.25)
24104.SHEP	24"	104"	64 lbs.	\$536.00	(97.25)
26104.SHEP	26"	104"	69 lbs.	\$610.00	(97.25)
30104.SHEP	30"	104"	78 lbs.	\$610.00	(97.25)
32104.SHEP	32"	104"	83 lbs.	\$650.00	(97.25)
36104.SHEP	36"	104"	93 lbs.	\$650.00	(97.25)
40104.SHEP	40"	104"	102 lbs.	\$738.00	(97.25)
48104.SHEP	48"	104"	122 lbs.	\$738.00	(97.25)
54104.SHEP	54"	104"	136 lbs.	\$831.00	(97.25)
60104.SHEP	60"	104"	151 lbs.	\$831.00	(97.25)
09107.SHEP	09"	107"	27 lbs.	\$449.00	(100.25)
10107.SHEP	10"	107"	30 lbs.	\$449.00	(100.25)
12107.SHEP	12"	107"	36 lbs.	\$449.00	(100.25)
13107.SHEP	13"	107"	38 lbs.	\$449.00	(100.25)
15107.SHEP	15"	107"	43 lbs.	\$470.00	(100.25)
16107.SHEP	16"	107"	46 lbs.	\$470.00	(100.25)
18107.SHEP	18"	107"	51 lbs.	\$494.00	(100.25)
20107.SHEP	20"	107"	56 lbs.	\$505.00	(100.25)
24107.SHEP	24"	107"	66 lbs.	\$536.00	(100.25)
26107.SHEP	26"	107"	71 lbs.	\$610.00	(100.25)
30107.SHEP	30"	107"	81 lbs.	\$610.00	(100.25)
32107.SHEP	32"	107"	86 lbs.	\$650.00	(100.25)
36107.SHEP	36"	107"	95 lbs.	\$650.00	(100.25)
40107.SHEP	40"	107"	105 lbs.	\$738.00	(100.25)
48107.SHEP	48"	107"	125 lbs.	\$738.00	(100.25)
54107.SHEP	54"	107"	140 lbs.	\$831.00	(100.25)
60107.SHEP	60"	107"	155 lbs.	\$831.00	(100.25)

Prices reflect Standard Wilsonart Laminates.

Wilsonart Premium and High Definition Laminates are also available as a custom order. Call Customer Service for a quote.

POWERED 1000 SERIES END PANELS

High Pressure Laminate with Composite Edge

Powered 1000 Series Static					
Part Number	Width	Height	Weight	List Price	Shelving Height
09128.SHEP	09"	128"	33 lbs.	\$538.00	(121.25)
10128.SHEP	10"	128"	36 lbs.	\$538.00	(121.25)
12128.SHEP	12"	128"	43 lbs.	\$538.00	(121.25)
13128.SHEP	13"	128"	46 lbs.	\$538.00	(121.25)
15128.SHEP	15"	128"	52 lbs.	\$563.00	(121.25)
16128.SHEP	16"	128"	55 lbs.	\$563.00	(121.25)
18128.SHEP	18"	128"	61 lbs.	\$591.00	(121.25)
20128.SHEP	20"	128"	67 lbs.	\$602.00	(121.25)
24128.SHEP	24"	128"	79 lbs.	\$639.00	(121.25)
26128.SHEP	26"	128"	85 lbs.	\$723.00	(121.25)
30128.SHEP	30"	128"	97 lbs.	\$723.00	(121.25)
32128.SHEP	32"	128"	103 lbs.	\$771.00	(121.25)
36128.SHEP	36"	128"	115 lbs.	\$771.00	(121.25)
40128.SHEP	40"	128"	127 lbs.	\$871.00	(121.25)
48128.SHEP	48"	128"	151 lbs.	\$871.00	(121.25)
54128.SHEP	54"	128"	169 lbs.	\$979.00	(121.25)
60128.SHEP	60"	128"	187 lbs.	\$979.00	(121.25)

Prices reflect Standard Wilsonart Laminates.

Wilsonart Premium and High Definition Laminates are also available as a custom order. Call Customer Service for a quote.

POWERED 1000 SERIES END PANELS

High Pressure Laminate with Self Edge

Powered 1000 Series for Single Keypad						Powered 1000 Series for Dual Keypads				
Part Number	Width	Height	Weight	List Price	Shelving Height	Part Number	Width	Height	Weight	List Price
09071.MW1P	09"	71"	15 lbs.	\$642.00						
10071.MW1P	10"	71"	17 lbs.	\$642.00						
12071.MW1P	12"	71"	19 lbs.	\$642.00						
13071.MW1P	13"	71"	20 lbs.	\$649.00						
15071.MW1P	15"	71"	21 lbs.	\$649.00	(64.25)	15071.MW2P	15"	71"	21 lbs.	\$680.00
16071.MW1P	16"	71"	22 lbs.	\$649.00	(64.25)	16071.MW2P	16"	71"	22 lbs.	\$680.00
18071.MW1P	18"	71"	23 lbs.	\$649.00	(64.25)	18071.MW2P	18"	71"	23 lbs.	\$680.00
20071.MW1P	20"	71"	25 lbs.	\$649.00	(64.25)	20071.MW2P	20"	71"	25 lbs.	\$680.00
24071.MW1P	24"	71"	30 lbs.	\$652.00	(64.25)	24071.MW2P	24"	71"	30 lbs.	\$691.00
26071.MW1P	26"	71"	33 lbs.	\$652.00	(64.25)	26071.MW2P	26"	71"	33 lbs.	\$691.00
30071.MW1P	30"	71"	38 lbs.	\$816.00	(64.25)	30071.MW2P	30"	71"	38 lbs.	\$855.00
32071.MW1P	32"	71"	41 lbs.	\$816.00	(64.25)	32071.MW2P	32"	71"	41 lbs.	\$855.00
36071.MW1P	36"	71"	46 lbs.	\$824.00	(64.25)	36071.MW2P	36"	71"	46 lbs.	\$855.00
40071.MW1P	40"	71"	51 lbs.	\$824.00	(64.25)	40071.MW2P	40"	71"	51 lbs.	\$855.00
48071.MW1P	48"	71"	61 lbs.	\$928.00	(64.25)	48071.MW2P	48"	71"	61 lbs.	\$959.00
54071.MW1P	54"	71"	68 lbs.	\$1,448.00	(64.25)	54071.MW2P	54"	71"	68 lbs.	\$1,480.00
60071.MW1P	60"	71"	76 lbs.	\$1,613.00	(64.25)	60071.MW2P	60"	71"	76 lbs.	\$1,643.00
09083.MW1P	09"	83"	14 lbs.	\$642.00						
10083.MW1P	10"	83"	15 lbs.	\$642.00						
12083.MW1P	12"	83"	18 lbs.	\$642.00						
13083.MW1P	14"	83"	20 lbs.	\$649.00						
15083.MW1P	15"	83"	22 lbs.	\$649.00	(76.25)	15083.MW2P	15"	83"	22 lbs.	\$680.00
16083.MW1P	16"	83"	24 lbs.	\$649.00	(76.25)	16083.MW2P	16"	83"	24 lbs.	\$680.00
18083.MW1P	18"	83"	27 lbs.	\$649.00	(76.25)	18083.MW2P	18"	83"	27 lbs.	\$680.00
20083.MW1P	20"	83"	30 lbs.	\$649.00	(76.25)	20083.MW2P	20"	83"	30 lbs.	\$680.00
24083.MW1P	24"	83"	36 lbs.	\$652.00	(76.25)	24083.MW2P	24"	83"	36 lbs.	\$691.00
26083.MW1P	26"	83"	39 lbs.	\$652.00	(76.25)	26083.MW2P	26"	83"	39 lbs.	\$691.00
30083.MW1P	30"	83"	45 lbs.	\$816.00	(76.25)	30083.MW2P	30"	83"	45 lbs.	\$855.00
32083.MW1P	32"	83"	48 lbs.	\$816.00	(76.25)	32083.MW2P	32"	83"	48 lbs.	\$855.00
36083.MW1P	36"	83"	54 lbs.	\$824.00	(76.25)	36083.MW2P	36"	83"	54 lbs.	\$855.00
40083.MW1P	40"	83"	60 lbs.	\$824.00	(76.25)	40083.MW2P	40"	83"	60 lbs.	\$855.00
48083.MW1P	48"	83"	71 lbs.	\$928.00	(76.25)	48083.MW2P	48"	83"	71 lbs.	\$959.00
54083.MW1P	54"	83"	80 lbs.	\$1,448.00	(76.25)	54083.MW2P	54"	83"	80 lbs.	\$1,480.00
60083.MW1P	60"	83"	89 lbs.	\$1,613.00	(76.25)	60083.MW2P	60"	83"	89 lbs.	\$1,643.00
09092.MW1P	09"	92"	19 lbs.	\$642.00						
10092.MW1P	10"	92"	21 lbs.	\$642.00						
12092.MW1P	12"	92"	25 lbs.	\$642.00						
13092.MW1P	13"	92"	27 lbs.	\$649.00						
15092.MW1P	15"	92"	25 lbs.	\$649.00	(85.25)	15092.MW2P	15"	92"	25 lbs.	\$680.00
16092.MW1P	16"	92"	26 lbs.	\$649.00	(85.25)	16092.MW2P	16"	92"	26 lbs.	\$680.00
18092.MW1P	18"	92"	30 lbs.	\$649.00	(85.25)	18092.MW2P	18"	92"	30 lbs.	\$680.00
20092.MW1P	20"	92"	33 lbs.	\$649.00	(85.25)	20092.MW2P	20"	92"	33 lbs.	\$680.00
24092.MW1P	24"	92"	40 lbs.	\$652.00	(85.25)	24092.MW2P	24"	92"	40 lbs.	\$691.00
26092.MW1P	26"	92"	43 lbs.	\$652.00	(85.25)	26092.MW2P	26"	92"	43 lbs.	\$691.00
30092.MW1P	30"	92"	50 lbs.	\$816.00	(85.25)	30092.MW2P	30"	92"	50 lbs.	\$855.00
32092.MW1P	32"	92"	53 lbs.	\$816.00	(85.25)	32092.MW2P	32"	92"	53 lbs.	\$855.00
36092.MW1P	36"	92"	60 lbs.	\$824.00	(85.25)	36092.MW2P	36"	92"	60 lbs.	\$855.00
40092.MW1P	40"	92"	66 lbs.	\$824.00	(85.25)	40092.MW2P	40"	92"	66 lbs.	\$855.00
48092.MW1P	48"	92"	79 lbs.	\$928.00	(85.25)	48092.MW2P	48"	92"	79 lbs.	\$959.00
54092.MW1P	54"	92"	89 lbs.	\$1,448.00	(85.25)	54092.MW2P	54"	92"	89 lbs.	\$1,480.00
60092.MW1P	60"	92"	99 lbs.	\$1,613.00	(85.25)	60092.MW2P	60"	92"	99 lbs.	\$1,643.00

MW1P Models are drilled with a single hole for Electric Keypad.

MW2P Models are drilled with 2 holes for 2 Electric Keypads.

Prices reflect Standard Wilsonart Laminates.

Wilsonart Premium and High Definition Laminates are also available as a custom order. Call Customer Service for a quote.

POWERED 1000 SERIES END PANELS

High Pressure Laminate with Self Edge

Powered 1000 Series for Single Keypad					Shelving Height	Powered 1000 Series for Dual Keypads				
Part Number	Width	Height	Weight	List Price		Part Number	Width	Height	Weight	List Price
09095.MW1P	09"	95"	16 lbs.	\$642.00						
10095.MW1P	10"	95"	18 lbs.	\$642.00						
12095.MW1P	12"	95"	21 lbs.	\$642.00						
13095.MW1P	13"	95"	23 lbs.	\$649.00						
15095.MW1P	15"	95"	26 lbs.	\$649.00	(88.25)	15095.MW2P	15"	95"	26 lbs.	\$680.00
16095.MW1P	16"	95"	27 lbs.	\$649.00	(88.25)	16095.MW2P	16"	95"	27 lbs.	\$680.00
18095.MW1P	18"	95"	31 lbs.	\$649.00	(88.25)	18095.MW2P	18"	95"	31 lbs.	\$680.00
20095.MW1P	20"	95"	34 lbs.	\$649.00	(88.25)	20095.MW2P	20"	95"	34 lbs.	\$680.00
24095.MW1P	24"	95"	41 lbs.	\$652.00	(88.25)	24095.MW2P	24"	95"	41 lbs.	\$691.00
26095.MW1P	26"	95"	44 lbs.	\$652.00	(88.25)	26095.MW2P	26"	95"	44 lbs.	\$691.00
30095.MW1P	30"	95"	51 lbs.	\$816.00	(88.25)	30095.MW2P	30"	95"	51 lbs.	\$855.00
32095.MW1P	32"	95"	55 lbs.	\$816.00	(88.25)	32095.MW2P	32"	95"	55 lbs.	\$855.00
36095.MW1P	36"	95"	62 lbs.	\$824.00	(88.25)	36095.MW2P	36"	95"	62 lbs.	\$855.00
40095.MW1P	40"	95"	68 lbs.	\$824.00	(88.25)	40095.MW2P	40"	95"	68 lbs.	\$855.00
48095.MW1P	48"	95"	82 lbs.	\$928.00	(88.25)	48095.MW2P	48"	95"	82 lbs.	\$959.00
54095.MW1P	54"	95"	92 lbs.	\$1,448.00	(88.25)	54095.MW2P	54"	95"	92 lbs.	\$1,480.00
60095.MW1P	60"	95"	103 lbs.	\$1,613.00	(88.25)	60095.MW2P	60"	95"	103 lbs.	\$1,643.00
09104.MW1P	09"	104"	21 lbs.	\$766.00						
10104.MW1P	10"	104"	23 lbs.	\$766.00						
12104.MW1P	12"	104"	25 lbs.	\$766.00						
13104.MW1P	13"	104"	27 lbs.	\$772.00						
15104.MW1P	15"	104"	28 lbs.	\$772.00	(97.25)	15104.MW2P	15"	104"	28 lbs.	\$803.00
16104.MW1P	16"	104"	30 lbs.	\$772.00	(97.25)	16104.MW2P	16"	104"	30 lbs.	\$803.00
18104.MW1P	18"	104"	34 lbs.	\$772.00	(97.25)	18104.MW2P	18"	104"	34 lbs.	\$803.00
20104.MW1P	20"	104"	37 lbs.	\$772.00	(97.25)	20104.MW2P	20"	104"	37 lbs.	\$803.00
24104.MW1P	24"	104"	45 lbs.	\$853.00	(97.25)	24104.MW2P	24"	104"	45 lbs.	\$885.00
26104.MW1P	26"	104"	49 lbs.	\$853.00	(97.25)	26104.MW2P	26"	104"	49 lbs.	\$885.00
30104.MW1P	30"	104"	56 lbs.	\$915.00	(97.25)	30104.MW2P	30"	104"	56 lbs.	\$947.00
32104.MW1P	32"	104"	60 lbs.	\$915.00	(97.25)	32104.MW2P	32"	104"	60 lbs.	\$947.00
36104.MW1P	36"	104"	67 lbs.	\$915.00	(97.25)	36104.MW2P	36"	104"	67 lbs.	\$947.00
40104.MW1P	40"	104"	75 lbs.	\$915.00	(97.25)	40104.MW2P	40"	104"	75 lbs.	\$947.00
48104.MW1P	48"	104"	90 lbs.	\$1,034.00	(97.25)	48104.MW2P	48"	104"	90 lbs.	\$1,064.00
54104.MW1P	54"	104"	101 lbs.	\$1,734.00	(97.25)	54104.MW2P	54"	104"	101 lbs.	\$1,764.00
60104.MW1P	60"	104"	112 lbs.	\$1,795.00	(97.25)	60104.MW2P	60"	104"	112 lbs.	\$1,827.00
09107.MW1P	09"	107"	22 lbs.	\$766.00						
10107.MW1P	10"	107"	24 lbs.	\$766.00						
12107.MW1P	12"	107"	26 lbs.	\$766.00						
13107.MW1P	13"	107"	28 lbs.	\$772.00						
15107.MW1P	15"	107"	29 lbs.	\$772.00	(100.25)	15107.MW2P	15"	107"	29 lbs.	\$803.00
16107.MW1P	16"	107"	31 lbs.	\$772.00	(100.25)	16107.MW2P	16"	107"	31 lbs.	\$803.00
18107.MW1P	18"	107"	35 lbs.	\$772.00	(100.25)	18107.MW2P	18"	107"	35 lbs.	\$803.00
20107.MW1P	20"	107"	39 lbs.	\$772.00	(100.25)	20107.MW2P	20"	107"	39 lbs.	\$803.00
24107.MW1P	24"	107"	46 lbs.	\$853.00	(100.25)	24107.MW2P	24"	107"	46 lbs.	\$885.00
26107.MW1P	26"	107"	50 lbs.	\$853.00	(100.25)	26107.MW2P	26"	107"	50 lbs.	\$885.00
30107.MW1P	30"	107"	58 lbs.	\$915.00	(100.25)	30107.MW2P	30"	107"	58 lbs.	\$947.00
32107.MW1P	32"	107"	62 lbs.	\$915.00	(100.25)	32107.MW2P	32"	107"	62 lbs.	\$947.00
36107.MW1P	36"	107"	69 lbs.	\$915.00	(100.25)	36107.MW2P	36"	107"	69 lbs.	\$947.00
40107.MW1P	40"	107"	77 lbs.	\$915.00	(100.25)	40107.MW2P	40"	107"	77 lbs.	\$947.00
48107.MW1P	48"	107"	93 lbs.	\$1,034.00	(100.25)	48107.MW2P	48"	107"	93 lbs.	\$1,064.00
54107.MW1P	54"	107"	104 lbs.	\$1,734.00	(100.25)	54107.MW2P	54"	107"	104 lbs.	\$1,764.00
60107.MW1P	60"	107"	116 lbs.	\$1,795.00	(100.25)	60107.MW2P	60"	107"	116 lbs.	\$1,827.00

MW1P Models are drilled with a single hole for Electric Keypad.

MW2P Models are drilled with 2 holes for 2 Electric Keypads.

Prices reflect Standard Wilsonart Laminates.

Wilsonart Premium and High Definition Laminates are also available as a custom order. Call Customer Service for a quote.

POWERED 1000 SERIES END PANELS

High Pressure Laminate with Self Edge

Powered 1000 Series for Single Keypad						Powered 1000 Series for Dual Keypads				
Part Number	Width	Height	Weight	List Price	Shelving Height	Part Number	Width	Height	Weight	List Price
09128.MW1P	09"	128"	26 lbs.	\$877.00						
10128.MW1P	10"	128"	29 lbs.	\$877.00						
12128.MW1P	12"	128"	31 lbs.	\$877.00						
13128.MW1P	13"	128"	33 lbs.	\$883.00						
15128.MW1P	15"	128"	35 lbs.	\$883.00	(121.25)	15128.MW2P	15"	128"	35 lbs.	\$913.00
16128.MW1P	16"	128"	37 lbs.	\$883.00	(121.25)	16128.MW2P	16"	128"	37 lbs.	\$913.00
18128.MW1P	18"	128"	42 lbs.	\$883.00	(121.25)	18128.MW2P	18"	128"	42 lbs.	\$913.00
20128.MW1P	20"	128"	46 lbs.	\$883.00	(121.25)	20128.MW2P	20"	128"	46 lbs.	\$913.00
24128.MW1P	24"	128"	56 lbs.	\$975.00	(121.25)	24128.MW2P	24"	128"	56 lbs.	\$1,007.00
26128.MW1P	26"	128"	60 lbs.	\$975.00	(121.25)	26128.MW2P	26"	128"	60 lbs.	\$1,007.00
30128.MW1P	30"	128"	69 lbs.	\$1,047.00	(121.25)	30128.MW2P	30"	128"	69 lbs.	\$1,077.00
32128.MW1P	32"	128"	74 lbs.	\$1,047.00	(121.25)	32128.MW2P	32"	128"	74 lbs.	\$1,077.00
36128.MW1P	36"	128"	83 lbs.	\$1,047.00	(121.25)	36128.MW2P	36"	128"	83 lbs.	\$1,077.00
40128.MW1P	40"	128"	93 lbs.	\$1,047.00	(121.25)	40128.MW2P	40"	128"	93 lbs.	\$1,077.00
48128.MW1P	48"	128"	111 lbs.	\$1,183.00	(121.25)	48128.MW2P	48"	128"	111 lbs.	\$1,214.00
54128.MW1P	54"	128"	125 lbs.	\$1,988.00	(121.25)	54128.MW2P	54"	128"	125 lbs.	\$2,018.00
60128.MW1P	60"	128"	139 lbs.	\$2,059.00	(121.25)	60128.MW2P	60"	128"	139 lbs.	\$2,091.00

MW1P Models are drilled with a single hole for Electric Keypad.

MW2P Models are drilled with 2 holes for 2 Electric Keypads.

Prices reflect Standard Wilsonart Laminates.

Wilsonart Premium and High Definition Laminates are also available as a custom order. Call Customer Service for a quote.

POWERED 1000 SERIES END PANELS

High Pressure Laminate with Self Edge

Powered 1000 Series Static					
Part Number	Width	Height	Weight	List Price	Shelving Height
09071.SWEP	09"	71"	12 lbs.	\$582.00	(64.25)
10071.SWEP	10"	71"	13 lbs.	\$582.00	(64.25)
12071.SWEP	12"	71"	16 lbs.	\$582.00	(64.25)
13071.SWEP	13"	71"	18 lbs.	\$582.00	(64.25)
15071.SWEP	15"	71"	20 lbs.	\$649.00	(64.25)
16071.SWEP	16"	71"	22 lbs.	\$649.00	(64.25)
18071.SWEP	18"	71"	23 lbs.	\$649.00	(64.25)
20071.SWEP	20"	71"	25 lbs.	\$649.00	(64.25)
24071.SWEP	24"	71"	30 lbs.	\$661.00	(64.25)
26071.SWEP	26"	71"	33 lbs.	\$661.00	(64.25)
30071.SWEP	30"	71"	38 lbs.	\$824.00	(64.25)
32071.SWEP	32"	71"	41 lbs.	\$824.00	(64.25)
36071.SWEP	36"	71"	46 lbs.	\$824.00	(64.25)
40071.SWEP	40"	71"	51 lbs.	\$824.00	(64.25)
48071.SWEP	48"	71"	61 lbs.	\$928.00	(64.25)
54071.SWEP	54"	71"	68 lbs.	\$1,374.00	(64.25)
60071.SWEP	60"	71"	76 lbs.	\$1,374.00	(64.25)
09083.SWEP	09"	83"	14 lbs.	\$582.00	(76.25)
10083.SWEP	10"	83"	15 lbs.	\$582.00	(76.25)
12083.SWEP	12"	83"	18 lbs.	\$582.00	(76.25)
13083.SWEP	13"	83"	19 lbs.	\$582.00	(76.25)
15083.SWEP	15"	83"	22 lbs.	\$649.00	(76.25)
16083.SWEP	16"	83"	24 lbs.	\$649.00	(76.25)
18083.SWEP	18"	83"	27 lbs.	\$649.00	(76.25)
20083.SWEP	20"	83"	30 lbs.	\$649.00	(76.25)
24083.SWEP	24"	83"	36 lbs.	\$661.00	(76.25)
26083.SWEP	26"	83"	39 lbs.	\$661.00	(76.25)
30083.SWEP	30"	83"	45 lbs.	\$824.00	(76.25)
32083.SWEP	32"	83"	48 lbs.	\$824.00	(76.25)
36083.SWEP	36"	83"	54 lbs.	\$824.00	(76.25)
40083.SWEP	40"	83"	60 lbs.	\$824.00	(76.25)
48083.SWEP	48"	83"	71 lbs.	\$928.00	(76.25)
54083.SWEP	54"	83"	80 lbs.	\$1,374.00	(76.25)
60083.SWEP	60"	83"	89 lbs.	\$1,374.00	(76.25)
09092.SWEP	09"	92"	15 lbs.	\$582.00	(85.25)
10092.SWEP	10"	92"	17 lbs.	\$582.00	(85.25)
12092.SWEP	12"	92"	20 lbs.	\$582.00	(85.25)
13092.SWEP	13"	92"	21 lbs.	\$582.00	(85.25)
15092.SWEP	15"	92"	25 lbs.	\$649.00	(85.25)
16092.SWEP	16"	92"	26 lbs.	\$649.00	(85.25)
18092.SWEP	18"	92"	30 lbs.	\$649.00	(85.25)
20092.SWEP	20"	92"	33 lbs.	\$649.00	(85.25)
24092.SWEP	24"	92"	40 lbs.	\$661.00	(85.25)
26092.SWEP	26"	92"	43 lbs.	\$661.00	(85.25)
30092.SWEP	30"	92"	50 lbs.	\$824.00	(85.25)
32092.SWEP	32"	92"	53 lbs.	\$824.00	(85.25)
36092.SWEP	36"	92"	60 lbs.	\$824.00	(85.25)
40092.SWEP	40"	92"	66 lbs.	\$824.00	(85.25)
48092.SWEP	48"	92"	79 lbs.	\$928.00	(85.25)
54092.SWEP	54"	92"	89 lbs.	\$1,374.00	(85.25)
60092.SWEP	60"	92"	99 lbs.	\$1,374.00	(85.25)

Prices reflect Standard Wilsonart Laminates.

Wilsonart Premium and High Definition Laminates are also available as a custom order. Call Customer Service for a quote.

POWERED 1000 SERIES END PANELS

High Pressure Laminate with Self Edge

Powered 1000 Series Static					
Part Number	Width	Height	Weight	List Price	Shelving Height
09095.SWEP	09"	95"	16 lbs.	\$582.00	(88.25)
10095.SWEP	10"	95"	17 lbs.	\$582.00	(88.25)
12095.SWEP	12"	95"	21 lbs.	\$582.00	(88.25)
13095.SWEP	13"	95"	22 lbs.	\$582.00	(88.25)
15095.SWEP	15"	95"	26 lbs.	\$649.00	(88.25)
16095.SWEP	16"	95"	27 lbs.	\$649.00	(88.25)
18095.SWEP	18"	95"	31 lbs.	\$649.00	(88.25)
20095.SWEP	20"	95"	34 lbs.	\$649.00	(88.25)
24095.SWEP	24"	95"	41 lbs.	\$661.00	(88.25)
26095.SWEP	26"	95"	44 lbs.	\$661.00	(88.25)
30095.SWEP	30"	95"	51 lbs.	\$824.00	(88.25)
32095.SWEP	32"	95"	55 lbs.	\$824.00	(88.25)
36095.SWEP	36"	95"	62 lbs.	\$824.00	(88.25)
40095.SWEP	40"	95"	68 lbs.	\$824.00	(88.25)
48095.SWEP	48"	95"	82 lbs.	\$928.00	(88.25)
54095.SWEP	54"	95"	92 lbs.	\$1,374.00	(88.25)
60095.SWEP	60"	95"	103 lbs.	\$1,374.00	(88.25)
09104.SWEP	09"	104"	17 lbs.	\$766.00	(97.25)
10104.SWEP	10"	104"	19 lbs.	\$766.00	(97.25)
12104.SWEP	12"	104"	22 lbs.	\$766.00	(97.25)
13104.SWEP	13"	104"	24 lbs.	\$766.00	(97.25)
15104.SWEP	15"	104"	28 lbs.	\$772.00	(97.25)
16104.SWEP	16"	104"	30 lbs.	\$772.00	(97.25)
18104.SWEP	18"	104"	34 lbs.	\$772.00	(97.25)
20104.SWEP	20"	104"	37 lbs.	\$772.00	(97.25)
24104.SWEP	24"	104"	45 lbs.	\$853.00	(97.25)
26104.SWEP	26"	104"	49 lbs.	\$853.00	(97.25)
30104.SWEP	30"	104"	56 lbs.	\$915.00	(97.25)
32104.SWEP	32"	104"	60 lbs.	\$915.00	(97.25)
36104.SWEP	36"	104"	67 lbs.	\$915.00	(97.25)
40104.SWEP	40"	104"	75 lbs.	\$915.00	(97.25)
48104.SWEP	48"	104"	90 lbs.	\$1,034.00	(97.25)
54104.SWEP	54"	104"	101 lbs.	\$1,533.00	(97.25)
60104.SWEP	60"	104"	112 lbs.	\$1,533.00	(97.25)
09107.SWEP	09"	107"	18 lbs.	\$766.00	(100.25)
10107.SWEP	10"	107"	20 lbs.	\$766.00	(100.25)
12107.SWEP	12"	107"	23 lbs.	\$766.00	(100.25)
13107.SWEP	13"	107"	25 lbs.	\$766.00	(100.25)
15107.SWEP	15"	107"	29 lbs.	\$772.00	(100.25)
16107.SWEP	16"	107"	31 lbs.	\$772.00	(100.25)
18107.SWEP	18"	107"	35 lbs.	\$772.00	(100.25)
20107.SWEP	20"	107"	39 lbs.	\$772.00	(100.25)
24107.SWEP	24"	107"	46 lbs.	\$853.00	(100.25)
26107.SWEP	26"	107"	50 lbs.	\$853.00	(100.25)
30107.SWEP	30"	107"	58 lbs.	\$915.00	(100.25)
32107.SWEP	32"	107"	62 lbs.	\$915.00	(100.25)
36107.SWEP	36"	107"	69 lbs.	\$915.00	(100.25)
40107.SWEP	40"	107"	77 lbs.	\$915.00	(100.25)
48107.SWEP	48"	107"	93 lbs.	\$1,034.00	(100.25)
54107.SWEP	54"	107"	104 lbs.	\$1,533.00	(100.25)
60107.SWEP	60"	107"	116 lbs.	\$1,533.00	(100.25)

Prices reflect Standard Wilsonart Laminates.

Wilsonart Premium and High Definition Laminates are also available as a custom order. Call Customer Service for a quote.

POWERED 1000 SERIES END PANELS

High Pressure Laminate with Self Edge

Powered 1000 Series Static					
Part Number	Width	Height	Weight	List Price	Shelving Height
09128.SWEP	09"	128"	21 lbs.	\$876.00	(121.25)
10128.SWEP	10"	128"	24 lbs.	\$876.00	(121.25)
12128.SWEP	12"	128"	28 lbs.	\$876.00	(121.25)
13128.SWEP	13"	128"	30 lbs.	\$876.00	(121.25)
15128.SWEP	15"	128"	35 lbs.	\$883.00	(121.25)
16128.SWEP	16"	128"	37 lbs.	\$883.00	(121.25)
18128.SWEP	18"	128"	42 lbs.	\$883.00	(121.25)
20128.SWEP	20"	128"	46 lbs.	\$883.00	(121.25)
24128.SWEP	24"	128"	56 lbs.	\$975.00	(121.25)
26128.SWEP	26"	128"	60 lbs.	\$975.00	(121.25)
30128.SWEP	30"	128"	69 lbs.	\$1,047.00	(121.25)
32128.SWEP	32"	128"	74 lbs.	\$1,047.00	(121.25)
36128.SWEP	36"	128"	83 lbs.	\$1,047.00	(121.25)
40128.SWEP	40"	128"	93 lbs.	\$1,047.00	(121.25)
48128.SWEP	48"	128"	111 lbs.	\$1,183.00	(121.25)
54128.SWEP	54"	128"	125 lbs.	\$1,756.00	(121.25)
60128.SWEP	60"	128"	139 lbs.	\$1,756.00	(121.25)

Prices reflect Standard Wilsonart Laminates.

Wilsonart Premium and High Definition Laminates are also available as a custom order. Call Customer Service for a quote.

MECHANICAL ASSIST LOW PROFILE

END PANEL BACK FILLER PLATE

End Panel Back Filler Plate is used with wire shelving or cantilever shelving to cover the back of the open end panels.

Part Number	Width	Height	Weight	List Price	Shelving Height
09068.BFP	09"	68"	4.60 lbs.	\$22.80	(64.25)
10068.BFP	10"	68"	5.15 lbs.	\$25.40	(64.25)
12068.BFP	12"	68"	6.20 lbs.	\$30.55	(64.25)
13068.BFP	13"	68"	6.74 lbs.	\$33.15	(64.25)
15068.BFP	15"	68"	7.79 lbs.	\$38.30	(64.25)
16068.BFP	16"	68"	8.32 lbs.	\$40.90	(64.25)
18068.BFP	18"	68"	9.38 lbs.	\$46.10	(64.25)
20068.BFP	20"	68"	10.43 lbs.	\$51.25	(64.25)
24068.BFP	24"	68"	12.55 lbs.	\$62.00	(64.25)
26068.BFP	26"	68"	13.61 lbs.	\$67.00	(64.25)
30068.BFP	30"	68"	15.72 lbs.	\$77.00	(64.25)
32068.BFP	32"	68"	16.78 lbs.	\$83.00	(64.25)
36068.BFP	36"	68"	18.89 lbs.	\$93.00	(64.25)
40068.BFP	40"	68"	21.00 lbs.	\$103.00	(64.25)
48068.BFP	48"	68"	25.23 lbs.	\$124.00	(64.25)
54068.BFP	54"	68"	28.40 lbs.	\$139.00	(64.25)
60068.BFP	60"	68"	31.57 lbs.	\$155.00	(64.25)
09080.BFP	09"	80"	5.49 lbs.	\$26.95	(76.25)
10080.BFP	10"	80"	6.12 lbs.	\$30.05	(76.25)
12080.BFP	12"	80"	7.37 lbs.	\$36.25	(76.25)
13080.BFP	13"	80"	8.00 lbs.	\$39.35	(76.25)
15080.BFP	15"	80"	9.26 lbs.	\$45.55	(76.25)
16080.BFP	16"	80"	9.88 lbs.	\$48.65	(76.25)
18080.BFP	18"	80"	11.14 lbs.	\$55.00	(76.25)
20080.BFP	20"	80"	12.39 lbs.	\$61.00	(76.25)
24080.BFP	24"	80"	14.90 lbs.	\$73.00	(76.25)
26080.BFP	26"	80"	16.16 lbs.	\$79.00	(76.25)
30080.BFP	30"	80"	18.67 lbs.	\$92.00	(76.25)
32080.BFP	32"	80"	19.92 lbs.	\$98.00	(76.25)
36080.BFP	36"	80"	22.43 lbs.	\$110.00	(76.25)
40080.BFP	40"	80"	24.94 lbs.	\$123.00	(76.25)
48080.BFP	48"	80"	29.96 lbs.	\$147.00	(76.25)
54080.BFP	54"	80"	33.73 lbs.	\$166.00	(76.25)
60080.BFP	60"	80"	37.49 lbs.	\$184.00	(76.25)
09089.BFP	09"	89"	6.14 lbs.	\$30.30	(85.25)
10089.BFP	10"	89"	6.84 lbs.	\$33.65	(85.25)
12089.BFP	12"	89"	8.25 lbs.	\$40.65	(85.25)
13089.BFP	13"	89"	8.95 lbs.	\$44.00	(85.25)
15089.BFP	15"	89"	10.35 lbs.	\$51.00	(85.25)
16089.BFP	16"	89"	11.05 lbs.	\$54.00	(85.25)
18089.BFP	18"	89"	12.46 lbs.	\$61.00	(85.25)
20089.BFP	20"	89"	13.86 lbs.	\$68.00	(85.25)
24089.BFP	24"	89"	16.67 lbs.	\$82.00	(85.25)
26089.BFP	26"	89"	18.07 lbs.	\$89.00	(85.25)
30089.BFP	30"	89"	20.88 lbs.	\$103.00	(85.25)
32089.BFP	32"	89"	22.29 lbs.	\$109.00	(85.25)
36089.BFP	36"	89"	25.09 lbs.	\$123.00	(85.25)
40089.BFP	40"	89"	27.90 lbs.	\$137.00	(85.25)
48089.BFP	48"	89"	33.52 lbs.	\$165.00	(85.25)
54089.BFP	54"	89"	37.73 lbs.	\$185.00	(85.25)
60089.BFP	60"	89"	41.94 lbs.	\$206.00	(85.25)

MECHANICAL ASSIST LOW PROFILE

END PANEL BACK FILLER PLATE

End Panel Back Filler Plate is used with wire shelving or cantilever shelving to cover the back of the open end panels.

Part Number	Width	Height	Weight	List Price	Shelving Height
09092.BFP	09"	92"	6.35 lbs.	\$31.35	(88.25)
10092.BFP	10"	92"	7.09 lbs.	\$34.95	(88.25)
12092.BFP	12"	92"	8.54 lbs.	\$41.95	(88.25)
13092.BFP	13"	92"	9.27 lbs.	\$45.55	(88.25)
15092.BFP	15"	92"	10.71 lbs.	\$53.00	(88.25)
16092.BFP	16"	92"	11.45 lbs.	\$56.00	(88.25)
18092.BFP	18"	92"	12.89 lbs.	\$63.00	(88.25)
20092.BFP	20"	92"	14.35 lbs.	\$71.00	(88.25)
24092.BFP	24"	92"	17.26 lbs.	\$85.00	(88.25)
26092.BFP	26"	92"	18.71 lbs.	\$92.00	(88.25)
30092.BFP	30"	92"	21.62 lbs.	\$106.00	(88.25)
32092.BFP	32"	92"	23.07 lbs.	\$113.00	(88.25)
36092.BFP	36"	92"	25.98 lbs.	\$128.00	(88.25)
40092.BFP	40"	92"	28.89 lbs.	\$142.00	(88.25)
48092.BFP	48"	92"	34.69 lbs.	\$171.00	(88.25)
54092.BFP	54"	92"	39.06 lbs.	\$192.00	(88.25)
60068.BFP	60"	92"	43.42 lbs.	\$213.00	(88.25)
09101.BFP	09"	101"	7.01 lbs.	\$34.45	(97.25)
10101.BFP	10"	101"	7.81 lbs.	\$38.30	(97.25)
12101.BFP	12"	101"	9.41 lbs.	\$46.35	(97.25)
13101.BFP	13"	101"	10.21 lbs.	\$50.20	(97.25)
15101.BFP	15"	101"	11.82 lbs.	\$58.00	(97.25)
16101.BFP	16"	101"	12.61 lbs.	\$62.00	(97.25)
18101.BFP	18"	101"	14.22 lbs.	\$70.00	(97.25)
20101.BFP	20"	101"	15.82 lbs.	\$78.00	(97.25)
24101.BFP	24"	101"	19.03 lbs.	\$93.00	(97.25)
26101.BFP	26"	101"	20.63 lbs.	\$101.00	(97.25)
30101.BFP	30"	101"	23.83 lbs.	\$117.00	(97.25)
32101.BFP	32"	101"	25.43 lbs.	\$125.00	(97.25)
36101.BFP	36"	101"	28.64 lbs.	\$141.00	(97.25)
40101.BFP	40"	101"	31.84 lbs.	\$157.00	(97.25)
48101.BFP	48"	101"	38.25 lbs.	\$188.00	(97.25)
54101.BFP	54"	101"	43.06 lbs.	\$212.00	(97.25)
60101.BFP	60"	101"	47.86 lbs.	\$235.00	(97.25)
09104.BFP	09"	104"	7.23 lbs.	\$35.45	(100.25)
10104.BFP	10"	104"	8.05 lbs.	\$39.60	(100.25)
12104.BFP	12"	104"	9.70 lbs.	\$47.65	(100.25)
13104.BFP	13"	104"	10.53 lbs.	\$52.00	(100.25)
15104.BFP	15"	104"	12.18 lbs.	\$60.00	(100.25)
16104.BFP	16"	104"	13.01 lbs.	\$64.00	(100.25)
18104.BFP	18"	104"	14.66 lbs.	\$72.00	(100.25)
20104.BFP	20"	104"	16.31 lbs.	\$80.00	(100.25)
24104.BFP	24"	104"	19.61 lbs.	\$97.00	(100.25)
26104.BFP	26"	104"	21.27 lbs.	\$105.00	(100.25)
30104.BFP	30"	104"	24.57 lbs.	\$121.00	(100.25)
32104.BFP	32"	104"	26.22 lbs.	\$129.00	(100.25)
36104.BFP	36"	104"	29.52 lbs.	\$145.00	(100.25)
40104.BFP	40"	104"	32.83 lbs.	\$161.00	(100.25)
48104.BFP	48"	104"	39.43 lbs.	\$194.00	(100.25)
54104.BFP	54"	104"	44.39 lbs.	\$218.00	(100.25)
60104.BFP	60"	104"	49.34 lbs.	\$242.00	(100.25)

END PANEL BACK FILLER PLATE

End Panel Back Filler Plate is used with wire shelving or cantilever shelving to cover the back of the open end panels.

Part Number	Width	Height	Weight	List Price	Shelving Height
09125.BFP	09"	125"	8.74 lbs .	\$43.00	(121.25)
10125.BFP	10"	125"	9.74 lbs .	\$47.90	(121.25)
12125.BFP	12"	125"	11.74 lbs .	\$58.00	(121.25)
13125.BFP	13"	125"	12.74 lbs .	\$63.00	(121.25)
15125.BFP	15"	125"	14.74 lbs .	\$72.00	(121.25)
16125.BFP	16"	125"	15.74 lbs .	\$77.00	(121.25)
18125.BFP	18"	125"	17.74 lbs .	\$87.00	(121.25)
20125.BFP	20"	125"	19.74 lbs .	\$97.00	(121.25)
24125.BFP	24"	125"	23.74 lbs .	\$117.00	(121.25)
26125.BFP	26"	125"	25.73 lbs .	\$127.00	(121.25)
30125.BFP	30"	125"	29.73 lbs .	\$146.00	(121.25)
32125.BFP	32"	125"	31.73 lbs .	\$156.00	(121.25)
36125.BFP	36"	125"	35.72 lbs .	\$176.00	(121.25)
40125.BFP	40"	125"	39.72 lbs .	\$195.00	(121.25)
48125.BFP	48"	125"	47.72 lbs .	\$234.00	(121.25)
54125.BFP	54"	125"	53.71 lbs .	\$264.00	(121.25)
60125.BFP	60"	125"	59.71 lbs .	\$293.00	(121.25)

POWERED LOW PROFILE

END PANEL BACK FILLER PLATE

End Panel Back Filler Plate is used with wire shelving or cantilever shelving to cover the back of the open end panels.

Part Number	Width	Height	Weight	List Price	Shelving Height
09069.BFP	09"	69"	4.70 lbs.	\$23.05	(64.25)
10069.BFP	10"	69"	5.23 lbs.	\$25.65	(64.25)
12069.BFP	12"	69"	6.30 lbs.	\$31.05	(64.25)
13069.BFP	13"	69"	6.84 lbs.	\$33.65	(64.25)
15069.BFP	15"	69"	7.92 lbs.	\$38.85	(64.25)
16069.BFP	16"	69"	8.45 lbs.	\$41.70	(64.25)
18069.BFP	18"	69"	9.52 lbs.	\$46.85	(64.25)
20069.BFP	20"	69"	10.60 lbs.	\$52.00	(64.25)
24069.BFP	24"	69"	12.74 lbs.	\$63.00	(64.25)
26069.BFP	26"	69"	13.82 lbs.	\$68.00	(64.25)
30069.BFP	30"	69"	15.96 lbs.	\$78.00	(64.25)
32069.BFP	32"	69"	17.04 lbs.	\$84.00	(64.25)
36069.BFP	36"	69"	19.18 lbs.	\$94.00	(64.25)
40069.BFP	40"	69"	21.33 lbs.	\$105.00	(64.25)
48069.BFP	48"	69"	25.62 lbs.	\$126.00	(64.25)
54069.BFP	54"	69"	28.84 lbs.	\$142.00	(64.25)
60069.BFP	60"	69"	32.06 lbs.	\$158.00	(64.25)
09081.BFP	09"	81"	5.56 lbs.	\$27.45	(76.25)
10081.BFP	10"	81"	6.20 lbs.	\$30.55	(76.25)
12081.BFP	12"	81"	7.47 lbs.	\$36.75	(76.25)
13081.BFP	13"	81"	8.11 lbs.	\$39.85	(76.25)
15081.BFP	15"	81"	9.38 lbs.	\$46.10	(76.25)
16081.BFP	16"	81"	10.01 lbs.	\$49.20	(76.25)
18081.BFP	18"	81"	11.29 lbs.	\$55.00	(76.25)
20081.BFP	20"	81"	12.56 lbs.	\$62.00	(76.25)
24081.BFP	24"	81"	15.10 lbs.	\$74.00	(76.25)
26081.BFP	26"	81"	16.37 lbs.	\$80.00	(76.25)
30081.BFP	30"	81"	18.10 lbs.	\$93.00	(76.25)
32081.BFP	32"	81"	20.19 lbs.	\$99.00	(76.25)
36081.BFP	36"	81"	22.73 lbs.	\$112.00	(76.25)
40081.BFP	40"	81"	25.27 lbs.	\$124.00	(76.25)
48081.BFP	48"	81"	30.36 lbs.	\$149.00	(76.25)
54081.BFP	54"	81"	34.17 lbs.	\$168.00	(76.25)
60081.BFP	60"	81"	37.99 lbs.	\$187.00	(76.25)
09090.BFP	09"	90"	6.21 lbs.	\$30.55	(85.25)
10090.BFP	10"	90"	6.92 lbs.	\$33.90	(85.25)
12090.BFP	12"	90"	8.34 lbs.	\$40.90	(85.25)
13090.BFP	13"	90"	9.05 lbs.	\$44.55	(85.25)
15090.BFP	15"	90"	10.47 lbs.	\$51.50	(85.25)
16090.BFP	16"	90"	11.18 lbs.	\$55.00	(85.25)
18090.BFP	18"	90"	12.61 lbs.	\$62.00	(85.25)
20090.BFP	20"	90"	14.03 lbs.	\$69.00	(85.25)
24090.BFP	24"	90"	16.87 lbs.	\$83.00	(85.25)
26090.BFP	26"	90"	18.29 lbs.	\$90.00	(85.25)
30090.BFP	30"	90"	21.13 lbs.	\$104.00	(85.25)
32090.BFP	32"	90"	22.55 lbs.	\$111.00	(85.25)
36090.BFP	36"	90"	25.39 lbs.	\$125.00	(85.25)
40090.BFP	40"	90"	28.23 lbs.	\$139.00	(85.25)
48090.BFP	48"	90"	33.91 lbs.	\$167.00	(85.25)
54090.BFP	54"	90"	38.17 lbs.	\$188.00	(85.25)
60090.BFP	60"	90"	42.43 lbs.	\$209.00	(85.25)

POWERED LOW PROFILE

END PANEL BACK FILLER PLATE

End Panel Back Filler Plate is used with wire shelving or cantilever shelving to cover the back of the open end panels.

Part Number	Width	Height	Weight	List Price	Shelving Height
09093.BFP	09"	93"	6.43 lbs.	\$31.60	(88.25)
10093.BFP	10"	93"	7.17 lbs.	\$35.20	(88.25)
12093.BFP	12"	93"	8.64 lbs.	\$42.45	(88.25)
13093.BFP	13"	93"	9.37 lbs.	\$46.10	(88.25)
15093.BFP	15"	93"	10.84 lbs.	\$53.00	(88.25)
16093.BFP	16"	93"	11.58 lbs.	\$57.00	(88.25)
18093.BFP	18"	93"	13.05 lbs.	\$64.00	(88.25)
20093.BFP	20"	93"	14.52 lbs.	\$71.00	(88.25)
24093.BFP	24"	93"	17.45 lbs.	\$86.00	(88.25)
26093.BFP	26"	93"	18.92 lbs.	\$93.00	(88.25)
30093.BFP	30"	93"	21.86 lbs.	\$107.00	(88.25)
32093.BFP	32"	93"	23.33 lbs.	\$115.00	(88.25)
36093.BFP	36"	93"	26.27 lbs.	\$129.00	(88.25)
40093.BFP	40"	93"	29.21 lbs.	\$144.00	(88.25)
48093.BFP	48"	93"	35.09 lbs.	\$172.00	(88.25)
54093.BFP	54"	93"	39.50 lbs.	\$194.00	(88.25)
60093.BFP	60"	93"	43.91 lbs.	\$216.00	(88.25)
09102.BFP	09"	102"	7.08 lbs.	\$34.70	(97.25)
10102.BFP	10"	102"	7.89 lbs.	\$38.85	(97.25)
12102.BFP	12"	102"	9.51 lbs.	\$46.85	(97.25)
13102.BFP	13"	102"	10.31 lbs.	\$50.75	(97.25)
15102.BFP	15"	102"	11.94 lbs.	\$59.00	(97.25)
16102.BFP	16"	102"	12.75 lbs.	\$63.00	(97.25)
18102.BFP	18"	102"	14.37 lbs.	\$71.00	(97.25)
20102.BFP	20"	102"	15.98 lbs.	\$79.00	(97.25)
24102.BFP	24"	102"	19.22 lbs.	\$94.00	(97.25)
26102.BFP	26"	102"	20.84 lbs.	\$102.00	(97.25)
30102.BFP	30"	102"	24.08 lbs.	\$118.00	(97.25)
32102.BFP	32"	102"	25.70 lbs.	\$126.00	(97.25)
36102.BFP	36"	102"	28.93 lbs.	\$142.00	(97.25)
40102.BFP	40"	102"	32.17 lbs.	\$158.00	(97.25)
48102.BFP	48"	102"	38.65 lbs.	\$190.00	(97.25)
54102.BFP	54"	102"	43.50 lbs.	\$214.00	(97.25)
60102.BFP	60"	102"	48.36 lbs.	\$238.00	(97.25)
09105.BFP	09"	105"	7.30 lbs.	\$36.00	(100.25)
10105.BFP	10"	105"	8.13 lbs.	\$39.85	(100.25)
12105.BFP	12"	105"	9.80 lbs.	\$48.15	(100.25)
13105.BFP	13"	105"	10.63 lbs.	\$52.00	(100.25)
15105.BFP	15"	105"	12.30 lbs.	\$61.00	(100.25)
16105.BFP	16"	105"	13.14 lbs.	\$64.00	(100.25)
18105.BFP	18"	105"	14.81 lbs.	\$73.00	(100.25)
20105.BFP	20"	105"	16.47 lbs.	\$81.00	(100.25)
24105.BFP	24"	105"	19.81 lbs.	\$97.00	(100.25)
26105.BFP	26"	105"	21.48 lbs.	\$106.00	(100.25)
30105.BFP	30"	105"	24.81 lbs.	\$122.00	(100.25)
32105.BFP	32"	105"	26.48 lbs.	\$130.00	(100.25)
36105.BFP	36"	105"	29.82 lbs.	\$146.00	(100.25)
40105.BFP	40"	105"	33.16 lbs.	\$163.00	(100.25)
48105.BFP	48"	105"	39.83 lbs.	\$196.00	(100.25)
54105.BFP	54"	105"	44.83 lbs.	\$220.00	(100.25)
60105.BFP	60"	105"	49.84 lbs.	\$245.00	(100.25)

POWERED LOW PROFILE

END PANEL BACK FILLER PLATE

End Panel Back Filler Plate is used with wire shelving or cantilever shelving to cover the back of the open end panels.

Part Number	Width	Height	Weight	List Price	Shelving Height
09126.BFP	09"	126"	8.82 lbs.	\$43.25	(121.25)
10126.BFP	10"	126"	9.82 lbs.	\$48.40	(121.25)
12126.BFP	12"	126"	11.84 lbs.	\$58.00	(121.25)
13126.BFP	13"	126"	12.84 lbs.	\$63.00	(121.25)
15126.BFP	15"	126"	14.86 lbs.	\$73.00	(121.25)
16126.BFP	16"	126"	15.87 lbs.	\$78.00	(121.25)
18126.BFP	18"	126"	17.89 lbs.	\$88.00	(121.25)
20126.BFP	20"	126"	19.90 lbs.	\$98.00	(121.25)
24126.BFP	24"	126"	23.93 lbs.	\$118.00	(121.25)
26126.BFP	26"	126"	25.95 lbs.	\$128.00	(121.25)
30126.BFP	30"	126"	29.98 lbs.	\$147.00	(121.25)
32126.BFP	32"	126"	31.99 lbs.	\$157.00	(121.25)
36126.BFP	36"	126"	36.02 lbs.	\$177.00	(121.25)
40126.BFP	40"	126"	40.05 lbs.	\$197.00	(121.25)
48126.BFP	48"	126"	48.12 lbs.	\$236.00	(121.25)
54126.BFP	54"	126"	54.16 lbs.	\$266.00	(121.25)
60126.BFP	60"	126"	60.21 lbs.	\$296.00	(121.25)

MECHANICAL ASSIST 1000 SERIES

END PANEL BACK FILLER PLATE

End Panel Back Filler Plate is used with wire shelving or cantilever shelving to cover the back of the open end panels.

Part Number	Width	Height	Weight	List Price	Shelving Height
09070.BFP	09"	70"	4.62 lbs.	\$22.80	(64.25)
10070.BFP	10"	70"	5.15 lbs.	\$25.40	(64.25)
12070.BFP	12"	70"	6.21 lbs.	\$30.55	(64.25)
13070.BFP	13"	70"	6.74 lbs.	\$33.15	(64.25)
15070.BFP	15"	70"	7.79 lbs.	\$38.30	(64.25)
16070.BFP	16"	70"	8.32 lbs.	\$40.90	(64.25)
18070.BFP	18"	70"	9.38 lbs.	\$46.10	(64.25)
20070.BFP	20"	70"	10.43 lbs.	\$51.25	(64.25)
24070.BFP	24"	70"	12.55 lbs.	\$62.00	(64.25)
26070.BFP	26"	70"	13.61 lbs.	\$67.00	(64.25)
30070.BFP	30"	70"	15.72 lbs.	\$77.00	(64.25)
32070.BFP	32"	70"	16.78 lbs.	\$83.00	(64.25)
36070.BFP	36"	70"	18.89 lbs.	\$93.00	(64.25)
40070.BFP	40"	70"	21.00 lbs.	\$103.00	(64.25)
48070.BFP	48"	70"	25.23 lbs.	\$124.00	(64.25)
54070.BFP	54"	70"	28.40 lbs.	\$139.00	(64.25)
60070.BFP	60"	70"	31.57 lbs.	\$155.00	(64.25)
09082.BFP	09"	82"	5.49 lbs.	\$26.95	(76.25)
10082.BFP	10"	82"	6.12 lbs.	\$30.05	(76.25)
12082.BFP	12"	82"	7.37 lbs.	\$36.25	(76.25)
13082.BFP	13"	82"	8.00 lbs.	\$39.35	(76.25)
15082.BFP	15"	82"	9.26 lbs.	\$45.55	(76.25)
16082.BFP	16"	82"	9.88 lbs.	\$48.65	(76.25)
18082.BFP	18"	82"	11.14 lbs.	\$55.00	(76.25)
20082.BFP	20"	82"	12.39 lbs.	\$61.00	(76.25)
24082.BFP	24"	82"	14.90 lbs.	\$73.00	(76.25)
26082.BFP	26"	82"	16.16 lbs.	\$79.00	(76.25)
30082.BFP	30"	82"	18.67 lbs.	\$92.00	(76.25)
32082.BFP	32"	82"	19.92 lbs.	\$98.00	(76.25)
36082.BFP	36"	82"	22.43 lbs.	\$110.00	(76.25)
40082.BFP	40"	82"	24.94 lbs.	\$123.00	(76.25)
48082.BFP	48"	82"	29.96 lbs.	\$147.00	(76.25)
54082.BFP	54"	82"	33.73 lbs.	\$166.00	(76.25)
60082.BFP	60"	82"	37.49 lbs.	\$184.00	(76.25)
09091.BFP	09"	91"	6.14 lbs.	\$30.30	(85.25)
10091.BFP	10"	91"	6.84 lbs.	\$33.65	(85.25)
12091.BFP	12"	91"	8.25 lbs.	\$40.65	(85.25)
13091.BFP	13"	91"	8.95 lbs.	\$44.00	(85.25)
15091.BFP	15"	91"	10.35 lbs.	\$51.00	(85.25)
16091.BFP	16"	91"	11.05 lbs.	\$54.00	(85.25)
18091.BFP	18"	91"	12.46 lbs.	\$61.00	(85.25)
20091.BFP	20"	91"	13.86 lbs.	\$68.00	(85.25)
24091.BFP	24"	91"	16.67 lbs.	\$82.00	(85.25)
26091.BFP	26"	91"	18.07 lbs.	\$89.00	(85.25)
30091.BFP	30"	91"	20.88 lbs.	\$103.00	(85.25)
32091.BFP	32"	91"	22.29 lbs.	\$109.00	(85.25)
36091.BFP	36"	91"	25.09 lbs.	\$123.00	(85.25)
40091.BFP	40"	91"	27.90 lbs.	\$137.00	(85.25)
48091.BFP	48"	91"	33.52 lbs.	\$165.00	(85.25)
54091.BFP	54"	91"	37.73 lbs.	\$185.00	(85.25)
60091.BFP	60"	91"	41.94 lbs.	\$206.00	(85.25)

MECHANICAL ASSIST 1000 SERIES

END PANEL BACK FILLER PLATE

End Panel Back Filler Plate is used with wire shelving or cantilever shelving to cover the back of the open end panels.

Part Number	Width	Height	Weight	List Price	Shelving Height
09094.BFP	09"	94"	6.35 lbs.	\$31.35	(88.25)
10094.BFP	10"	94"	7.09 lbs.	\$34.95	(88.25)
12094.BFP	12"	94"	8.54 lbs.	\$41.95	(88.25)
13094.BFP	13"	94"	9.27 lbs.	\$45.55	(88.25)
15094.BFP	15"	94"	10.71 lbs.	\$53.00	(88.25)
16094.BFP	16"	94"	11.45 lbs.	\$56.00	(88.25)
18094.BFP	18"	94"	12.89 lbs.	\$63.00	(88.25)
20094.BFP	20"	94"	14.35 lbs.	\$71.00	(88.25)
24094.BFP	24"	94"	17.26 lbs.	\$85.00	(88.25)
26094.BFP	26"	94"	18.71 lbs.	\$92.00	(88.25)
30094.BFP	30"	94"	21.62 lbs.	\$106.00	(88.25)
32094.BFP	32"	94"	23.07 lbs.	\$113.00	(88.25)
36094.BFP	36"	94"	25.98 lbs.	\$128.00	(88.25)
40094.BFP	40"	94"	28.89 lbs.	\$142.00	(88.25)
48094.BFP	48"	94"	34.69 lbs.	\$171.00	(88.25)
54094.BFP	54"	94"	39.06 lbs.	\$192.00	(88.25)
60094.BFP	60"	94"	43.42 lbs.	\$213.00	(88.25)
09103.BFP	09"	103"	7.01 lbs.	\$34.45	(97.25)
10103.BFP	10"	103"	7.81 lbs.	\$38.30	(97.25)
12103.BFP	12"	103"	9.41 lbs.	\$46.35	(97.25)
13103.BFP	13"	103"	10.21 lbs.	\$50.20	(97.25)
15103.BFP	15"	103"	11.82 lbs.	\$58.00	(97.25)
16103.BFP	16"	103"	12.61 lbs.	\$62.00	(97.25)
18103.BFP	18"	103"	14.22 lbs.	\$70.00	(97.25)
20103.BFP	20"	103"	15.82 lbs.	\$78.00	(97.25)
24103.BFP	24"	103"	19.03 lbs.	\$93.00	(97.25)
26103.BFP	26"	103"	20.63 lbs.	\$101.00	(97.25)
30103.BFP	30"	103"	23.83 lbs.	\$117.00	(97.25)
32103.BFP	32"	103"	25.43 lbs.	\$125.00	(97.25)
36103.BFP	36"	103"	28.64 lbs.	\$141.00	(97.25)
40103.BFP	40"	103"	31.84 lbs.	\$157.00	(97.25)
48103.BFP	48"	103"	38.25 lbs.	\$188.00	(97.25)
54103.BFP	54"	103"	43.06 lbs.	\$212.00	(97.25)
60103.BFP	60"	103"	47.86 lbs.	\$235.00	(97.25)
09106.BFP	09"	106"	7.23 lbs.	\$35.45	(100.25)
10106.BFP	10"	106"	8.05 lbs.	\$39.60	(100.25)
12106.BFP	12"	106"	9.70 lbs.	\$47.65	(100.25)
13106.BFP	13"	106"	10.53 lbs.	\$52.00	(100.25)
15106.BFP	15"	106"	12.18 lbs.	\$60.00	(100.25)
16106.BFP	16"	106"	13.01 lbs.	\$64.00	(100.25)
18106.BFP	18"	106"	14.66 lbs.	\$72.00	(100.25)
20106.BFP	20"	106"	16.31 lbs.	\$80.00	(100.25)
24106.BFP	24"	106"	19.61 lbs.	\$97.00	(100.25)
26106.BFP	26"	106"	21.27 lbs.	\$105.00	(100.25)
30106.BFP	30"	106"	24.57 lbs.	\$121.00	(100.25)
32106.BFP	32"	106"	26.22 lbs.	\$129.00	(100.25)
36106.BFP	36"	106"	29.52 lbs.	\$145.00	(100.25)
40106.BFP	40"	106"	32.83 lbs.	\$161.00	(100.25)
48106.BFP	48"	106"	39.43 lbs.	\$194.00	(100.25)
54106.BFP	54"	106"	44.39 lbs.	\$218.00	(100.25)
60106.BFP	60"	106"	49.34 lbs.	\$242.00	(100.25)

MECHANICAL ASSIST 1000 SERIES

END PANEL BACK FILLER PLATE

End Panel Back Filler Plate is used with wire shelving or cantilever shelving to cover the back of the open end panels.

Part Number	Width	Height	Weight	List Price	Shelving Height
09127.BFP	09"	127"	8.74 lbs .	\$43.00	(121.25)
10127.BFP	10"	127"	9.74 lbs .	\$47.90	(121.25)
12127.BFP	12"	127"	11.74 lbs .	\$58.00	(121.25)
13127.BFP	13"	127"	12.74 lbs .	\$63.00	(121.25)
15127.BFP	15"	127"	14.74 lbs .	\$72.00	(121.25)
16127.BFP	16"	127"	15.74 lbs .	\$77.00	(121.25)
18127.BFP	18"	127"	17.74 lbs .	\$87.00	(121.25)
20127.BFP	20"	127"	19.74 lbs .	\$97.00	(121.25)
24127.BFP	24"	127"	23.74 lbs .	\$117.00	(121.25)
26127.BFP	26"	127"	25.73 lbs .	\$127.00	(121.25)
30127.BFP	30"	127"	29.73 lbs .	\$146.00	(121.25)
32127.BFP	32"	127"	31.73 lbs .	\$156.00	(121.25)
36127.BFP	36"	127"	35.72 lbs .	\$176.00	(121.25)
40127.BFP	40"	127"	39.72 lbs .	\$195.00	(121.25)
48127.BFP	48"	127"	47.72 lbs .	\$234.00	(121.25)
54127.BFP	54"	127"	53.71 lbs .	\$264.00	(121.25)
60127.BFP	60"	127"	59.71 lbs .	\$293.00	(121.25)

POWERED 1000 SERIES

END PANEL BACK FILLER PLATE

End Panel Back Filler Plate is used with wire shelving or cantilever shelving to cover the back of the open end panels.

Part Number	Width	Height	Weight	List Price	Shelving Height
09071.BFP	09"	71"	4.70 lbs.	\$23.05	(64.25)
10071.BFP	10"	71"	5.23 lbs.	\$25.65	(64.25)
12071.BFP	12"	71"	6.30 lbs.	\$31.05	(64.25)
13071.BFP	13"	71"	6.84 lbs.	\$33.65	(64.25)
15071.BFP	15"	71"	7.92 lbs.	\$38.85	(64.25)
16071.BFP	16"	71"	8.45 lbs.	\$41.70	(64.25)
18071.BFP	18"	71"	9.52 lbs.	\$46.85	(64.25)
20071.BFP	20"	71"	10.60 lbs.	\$52.00	(64.25)
24071.BFP	24"	71"	12.74 lbs.	\$63.00	(64.25)
26071.BFP	26"	71"	13.82 lbs.	\$68.00	(64.25)
30071.BFP	30"	71"	15.96 lbs.	\$78.00	(64.25)
32071.BFP	32"	71"	17.04 lbs.	\$84.00	(64.25)
36071.BFP	36"	71"	19.18 lbs.	\$94.00	(64.25)
40071.BFP	40"	71"	21.33 lbs.	\$105.00	(64.25)
48071.BFP	48"	71"	25.62 lbs.	\$126.00	(64.25)
54071.BFP	54"	71"	28.84 lbs.	\$142.00	(64.25)
60071.BFP	60"	71"	32.06 lbs.	\$158.00	(64.25)
09083.BFP	09"	83"	5.56 lbs.	\$27.45	(76.25)
10083.BFP	10"	83"	6.20 lbs.	\$30.55	(76.25)
12083.BFP	12"	83"	7.47 lbs.	\$36.75	(76.25)
13083.BFP	13"	83"	8.11 lbs.	\$39.85	(76.25)
15083.BFP	15"	83"	9.38 lbs.	\$46.10	(76.25)
16083.BFP	16"	83"	10.01 lbs.	\$49.20	(76.25)
18083.BFP	18"	83"	11.29 lbs.	\$55.00	(76.25)
20083.BFP	20"	83"	12.56 lbs.	\$62.00	(76.25)
24083.BFP	24"	83"	15.10 lbs.	\$74.00	(76.25)
26083.BFP	26"	83"	16.37 lbs.	\$80.00	(76.25)
30083.BFP	30"	83"	18.10 lbs.	\$93.00	(76.25)
32083.BFP	32"	83"	20.19 lbs.	\$99.00	(76.25)
36083.BFP	36"	83"	22.73 lbs.	\$112.00	(76.25)
40083.BFP	40"	83"	25.27 lbs.	\$124.00	(76.25)
48083.BFP	48"	83"	30.36 lbs.	\$149.00	(76.25)
54083.BFP	54"	83"	34.17 lbs.	\$168.00	(76.25)
60083.BFP	60"	83"	37.99 lbs.	\$187.00	(76.25)
09092.BFP	09"	92"	6.21 lbs.	\$30.55	(85.25)
10092.BFP	10"	92"	6.92 lbs.	\$33.90	(85.25)
12092.BFP	12"	92"	8.34 lbs.	\$40.90	(85.25)
13092.BFP	13"	92"	9.05 lbs.	\$44.55	(85.25)
15092.BFP	15"	92"	10.47 lbs.	\$51.50	(85.25)
16092.BFP	16"	92"	11.18 lbs.	\$55.00	(85.25)
18092.BFP	18"	92"	12.61 lbs.	\$62.00	(85.25)
20092.BFP	20"	92"	14.03 lbs.	\$69.00	(85.25)
24092.BFP	24"	92"	16.87 lbs.	\$83.00	(85.25)
26092.BFP	26"	92"	18.29 lbs.	\$90.00	(85.25)
30092.BFP	30"	92"	21.13 lbs.	\$104.00	(85.25)
32092.BFP	32"	92"	22.55 lbs.	\$111.00	(85.25)
36092.BFP	36"	92"	25.39 lbs.	\$125.00	(85.25)
40092.BFP	40"	92"	28.23 lbs.	\$139.00	(85.25)
48092.BFP	48"	92"	33.91 lbs.	\$167.00	(85.25)
54092.BFP	54"	92"	38.17 lbs.	\$188.00	(85.25)
60092.BFP	60"	92"	42.43 lbs.	\$209.00	(85.25)

POWERED 1000 SERIES

END PANEL BACK FILLER PLATE

End Panel Back Filler Plate is used with wire shelving or cantilever shelving to cover the back of the open end panels.

Part Number	Width	Height	Weight	List Price	Shelving Height
09095.BFP	09"	95"	6.43 lbs.	\$31.60	(88.25)
10095.BFP	10"	95"	7.17 lbs.	\$35.20	(88.25)
12095.BFP	12"	95"	8.64 lbs.	\$42.45	(88.25)
13095.BFP	13"	95"	9.37 lbs.	\$46.10	(88.25)
15095.BFP	15"	95"	10.84 lbs.	\$53.00	(88.25)
16095.BFP	16"	95"	11.58 lbs.	\$57.00	(88.25)
18095.BFP	18"	95"	13.05 lbs.	\$64.00	(88.25)
20095.BFP	20"	95"	14.52 lbs.	\$71.00	(88.25)
24095.BFP	24"	95"	17.45 lbs.	\$86.00	(88.25)
26095.BFP	26"	95"	18.92 lbs.	\$93.00	(88.25)
30095.BFP	30"	95"	21.86 lbs.	\$107.00	(88.25)
32095.BFP	32"	95"	23.33 lbs.	\$115.00	(88.25)
36095.BFP	36"	95"	26.27 lbs.	\$129.00	(88.25)
40095.BFP	40"	95"	29.21 lbs.	\$144.00	(88.25)
48095.BFP	48"	95"	35.09 lbs.	\$172.00	(88.25)
54095.BFP	54"	95"	39.50 lbs.	\$194.00	(88.25)
60095.BFP	60"	95"	43.91 lbs.	\$216.00	(88.25)
09104.BFP	09"	104"	7.08 lbs.	\$34.70	(97.25)
10104.BFP	10"	104"	7.89 lbs.	\$38.85	(97.25)
12104.BFP	12"	104"	9.51 lbs.	\$46.85	(97.25)
13104.BFP	13"	104"	10.31 lbs.	\$50.75	(97.25)
15104.BFP	15"	104"	11.94 lbs.	\$59.00	(97.25)
16104.BFP	16"	104"	12.75 lbs.	\$63.00	(97.25)
18104.BFP	18"	104"	14.37 lbs.	\$71.00	(97.25)
20104.BFP	20"	104"	15.98 lbs.	\$79.00	(97.25)
24104.BFP	24"	104"	19.22 lbs.	\$94.00	(97.25)
26104.BFP	26"	104"	20.84 lbs.	\$102.00	(97.25)
30104.BFP	30"	104"	24.08 lbs.	\$118.00	(97.25)
32104.BFP	32"	104"	25.70 lbs.	\$126.00	(97.25)
36104.BFP	36"	104"	28.93 lbs.	\$142.00	(97.25)
40104.BFP	40"	104"	32.17 lbs.	\$158.00	(97.25)
48104.BFP	48"	104"	38.65 lbs.	\$190.00	(97.25)
54104.BFP	54"	104"	43.50 lbs.	\$214.00	(97.25)
60104.BFP	60"	104"	48.36 lbs.	\$238.00	(97.25)
09107.BFP	09"	107"	7.30 lbs.	\$36.00	(100.25)
10107.BFP	10"	107"	8.13 lbs.	\$39.85	(100.25)
12107.BFP	12"	107"	9.80 lbs.	\$48.15	(100.25)
13107.BFP	13"	107"	10.63 lbs.	\$52.00	(100.25)
15107.BFP	15"	107"	12.30 lbs.	\$61.00	(100.25)
16107.BFP	16"	107"	13.14 lbs.	\$64.00	(100.25)
18107.BFP	18"	107"	14.81 lbs.	\$73.00	(100.25)
20107.BFP	20"	107"	16.47 lbs.	\$81.00	(100.25)
24107.BFP	24"	107"	19.81 lbs.	\$97.00	(100.25)
26107.BFP	26"	107"	21.48 lbs.	\$106.00	(100.25)
30107.BFP	30"	107"	24.81 lbs.	\$122.00	(100.25)
32107.BFP	32"	107"	26.48 lbs.	\$130.00	(100.25)
36107.BFP	36"	107"	29.82 lbs.	\$146.00	(100.25)
40107.BFP	40"	107"	33.16 lbs.	\$163.00	(100.25)
48107.BFP	48"	107"	39.83 lbs.	\$196.00	(100.25)
54107.BFP	54"	107"	44.83 lbs.	\$220.00	(100.25)
60107.BFP	60"	107"	49.84 lbs.	\$245.00	(100.25)

POWERED 1000 SERIES

END PANEL BACK FILLER PLATE

End Panel Back Filler Plate is used with wire shelving or cantilever shelving to cover the back of the open end panels.

Part Number	Width	Height	Weight	List Price	Shelving Height
09128.BFP	09"	128"	8.82 lbs.	\$43.25	(121.25)
10128.BFP	10"	128"	9.82 lbs.	\$48.40	(121.25)
12128.BFP	12"	128"	11.84 lbs.	\$58.00	(121.25)
13128.BFP	13"	128"	12.84 lbs.	\$63.00	(121.25)
15128.BFP	15"	128"	14.86 lbs.	\$73.00	(121.25)
16128.BFP	16"	128"	15.87 lbs.	\$78.00	(121.25)
18128.BFP	18"	128"	17.89 lbs.	\$88.00	(121.25)
20128.BFP	20"	128"	19.90 lbs.	\$98.00	(121.25)
24128.BFP	24"	128"	23.93 lbs.	\$118.00	(121.25)
26128.BFP	26"	128"	25.95 lbs.	\$128.00	(121.25)
30128.BFP	30"	128"	29.98 lbs.	\$147.00	(121.25)
32128.BFP	32"	128"	31.99 lbs.	\$157.00	(121.25)
36128.BFP	36"	128"	36.02 lbs.	\$177.00	(121.25)
40128.BFP	40"	128"	40.05 lbs.	\$197.00	(121.25)
48128.BFP	48"	128"	48.12 lbs.	\$236.00	(121.25)
54128.BFP	54"	128"	54.16 lbs.	\$266.00	(121.25)
60128.BFP	60"	128"	60.21 lbs.	\$296.00	(121.25)

LOW PROFILE BACK PANELS

High Pressure Laminate

Low Profile				
Part Number	Width	Height	Weight	List Price
30068.BWP	30"	68 3/16"	36 lbs.	\$532.00
30080.BWP	30"	80 3/16"	42 lbs.	\$564.00
30089.BWP	30"	89 3/16"	47 lbs.	\$564.00
30092.BWP	30"	92 3/16"	48 lbs.	\$595.00
30101.BWP	30"	101 3/16"	53 lbs.	\$595.00
36068.BWP	36"	68 3/16"	43 lbs.	\$548.00
36080.BWP	36"	80 3/16"	50 lbs.	\$580.00
36089.BWP	36"	89 3/16"	56 lbs.	\$580.00
36092.BWP	36"	92 3/16"	58 lbs.	\$605.00
36101.BWP	36"	101 3/16"	63 lbs.	\$605.00
42068.BWP	42"	68 3/16"	50 lbs.	\$563.00
42080.BWP	42"	80 3/16"	59 lbs.	\$595.00
42089.BWP	42"	89 3/16"	65 lbs.	\$595.00
42092.BWP	42"	92 3/16"	67 lbs.	\$611.00
42101.BWP	42"	101 3/16"	74 lbs.	\$611.00
48068.BWP	48"	68 3/16"	57 lbs.	\$802.00
48080.BWP	48"	80 3/16"	67 lbs.	\$921.00
48089.BWP	48"	89 3/16"	74 lbs.	\$921.00
48092.BWP	48"	92 3/16"	77 lbs.	\$1,009.00
48101.BWP	48"	101 3/16"	84 lbs.	\$1,009.00

Prices reflect Standard Wilsonart Laminates.

Wilsonart Premium and High Definition Laminates are also available as a custom order. Call Customer Service for a quote.

1000 SERIES BACK PANELS

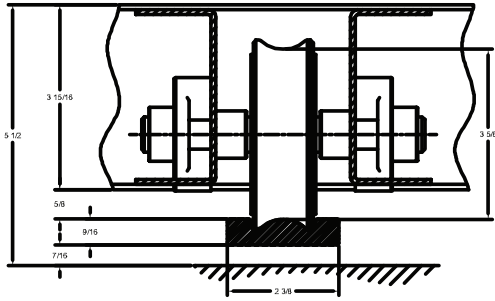
High Pressure Laminate

1000 Series				
Part Number	Width	Height	Weight	List Price
30070.BWP	30"	70 3/16"	37 lbs.	\$532.00
30082.BWP	30"	82 3/16"	43 lbs.	\$564.00
30091.BWP	30"	91 3/16"	48 lbs.	\$564.00
30094.BWP	30"	94 3/16"	49 lbs.	\$595.00
30103.BWP	30"	103 3/16"	54 lbs.	\$595.00
36070.BWP	36"	70 3/16"	44 lbs.	\$548.00
36082.BWP	36"	82 3/16"	51 lbs.	\$580.00
36091.BWP	36"	91 3/16"	57 lbs.	\$580.00
36094.BWP	36"	94 3/16"	59 lbs.	\$605.00
36103.BWP	36"	103 3/16"	65 lbs.	\$605.00
42070.BWP	42"	70 3/16"	51 lbs.	\$563.00
42082.BWP	42"	82 3/16"	60 lbs.	\$595.00
42091.BWP	42"	91 3/16"	67 lbs.	\$595.00
42094.BWP	42"	94 3/16"	69 lbs.	\$611.00
42103.BWP	42"	103 3/16"	75 lbs.	\$611.00
48070.BWP	48"	70 3/16"	59 lbs.	\$802.00
48082.BWP	48"	82 3/16"	69 lbs.	\$921.00
48091.BWP	48"	91 3/16"	76 lbs.	\$921.00
48094.BWP	48"	94 3/16"	79 lbs.	\$1,009.00
48103.BWP	48"	103 3/16"	86 lbs.	\$1,009.00

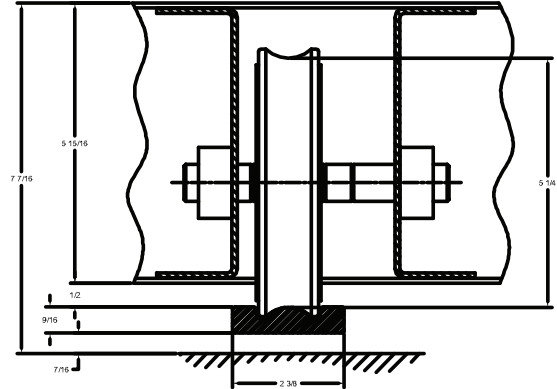
Prices reflect Standard Wilsonart Laminates.

Wilsonart Premium and High Definition Laminates are also available as a custom order. Call Customer Service for a quote.

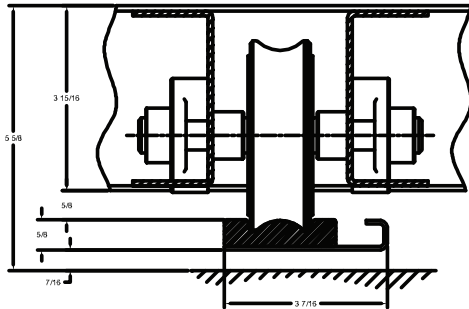
WHEEL CROSS SECTIONS



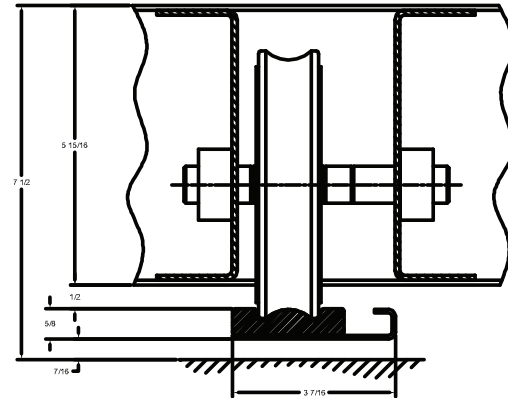
BARRIER FREE RAIL
LOW PROFILE CARRIAGE SYSTEM



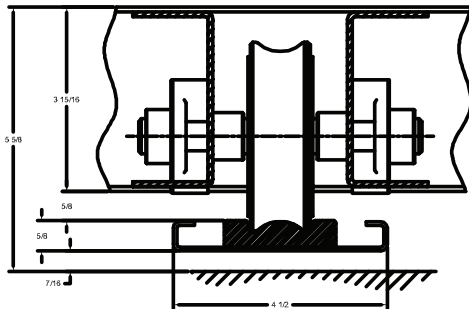
BARRIER FREE RAIL
1000 SERIES CARRIAGE SYSTEM



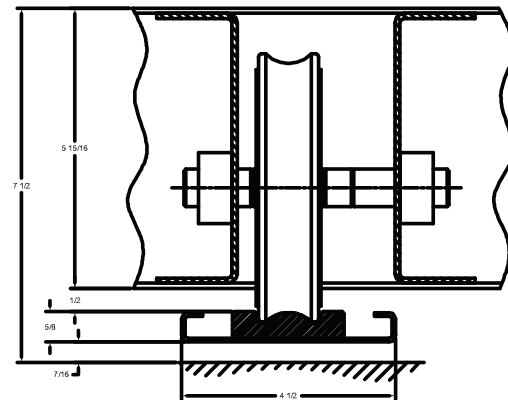
BARRIER FREE RAIL
WITH SINGLE ANTI-TIP
LOW PROFILE CARRIAGE SYSTEM



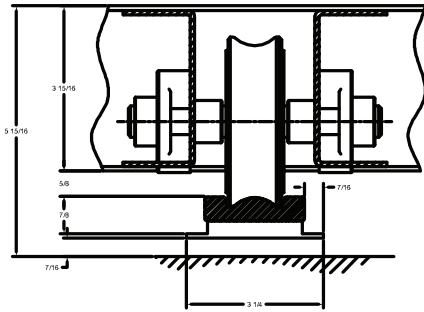
BARRIER FREE RAIL
WITH SINGLE ANTI-TIP
1000 SERIES CARRIAGE SYSTEM



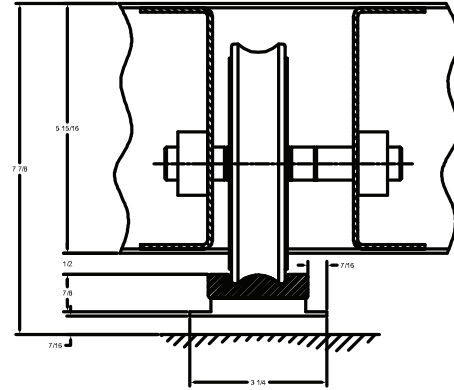
BARRIER FREE RAIL
WITH DUAL ANTI-TIP
LOW PROFILE CARRIAGE SYSTEM



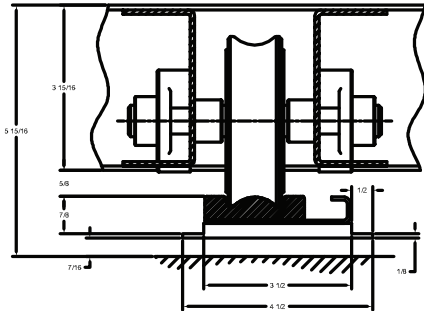
BARRIER FREE RAIL
WITH DUAL ANTI-TIP
1000 SERIES CARRIAGE SYSTEM



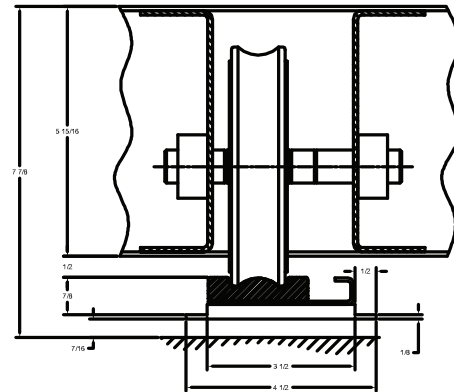
BARRIER FREE RAIL
WITH DECK PLATE
LOW PROFILE CARRIAGE SYSTEM



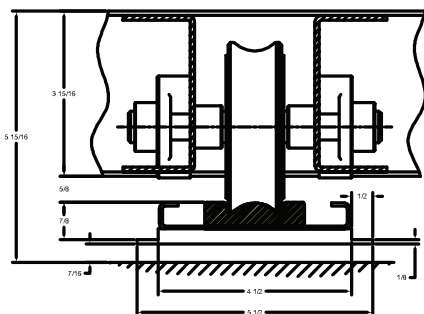
BARRIER FREE RAIL
WITH DECK PLATE
1000 SERIES CARRIAGE SYSTEM



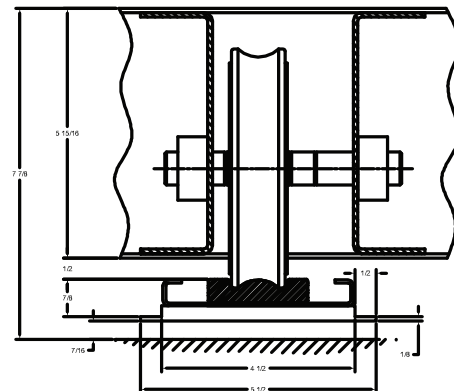
BARRIER FREE RAIL WITH SINGLE
ANTI-TIP AND DECK PLATE
LOW PROFILE CARRIAGE SYSTEM



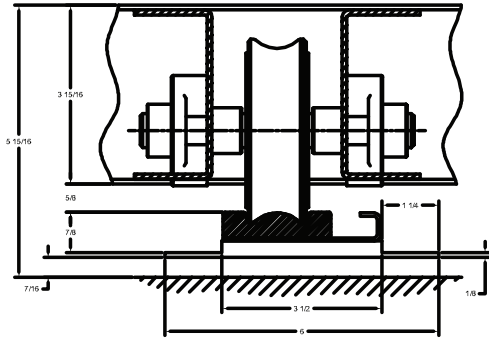
BARRIER FREE RAIL WITH SINGLE
ANTI-TIP AND DECK PLATE
1000 SERIES CARRIAGE SYSTEM



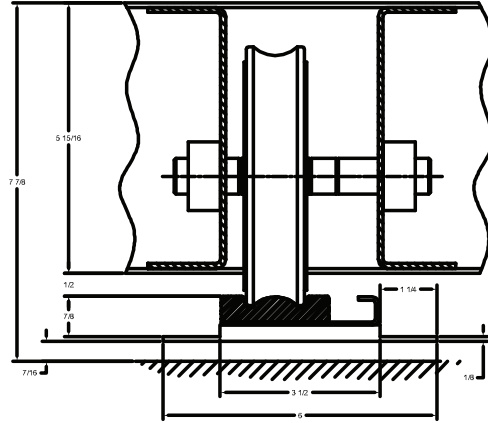
BARRIER FREE RAIL WITH DUAL
ANTI-TIP AND DECK PLATE
LOW PROFILE CARRIAGE SYSTEM



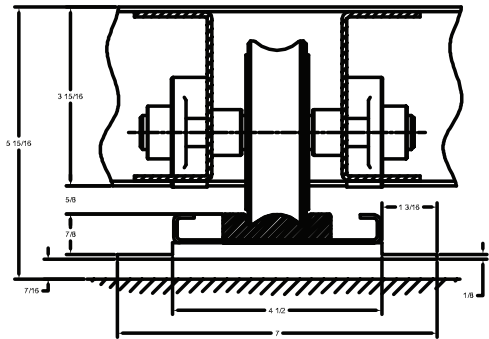
BARRIER FREE RAIL WITH DUAL
ANTI-TIP AND DECK PLATE
1000 SERIES CARRIAGE SYSTEM



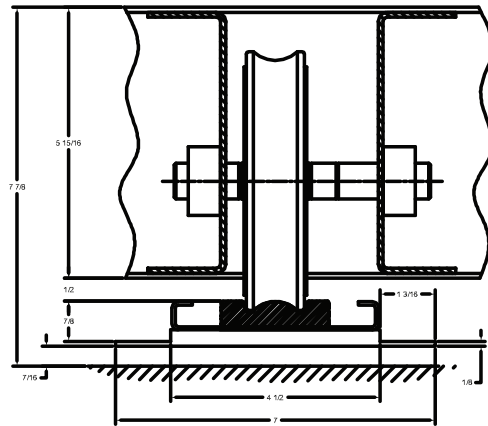
BARRIER FREE RAIL WITH SINGLE ANTI-TIP AND WEDGE PLATE LOW PROFILE CARRIAGE SYSTEM



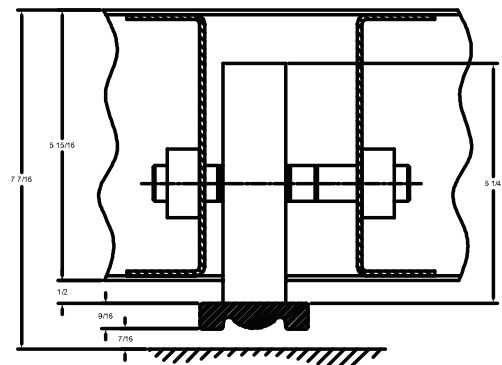
BARRIER FREE RAIL WITH SINGLE ANTI-TIP AND WEDGE PLATE 1000 SERIES CARRIAGE SYSTEM



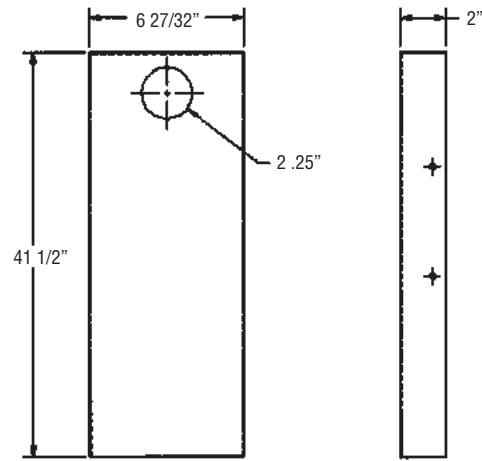
BARRIER FREE RAIL WITH DUAL ANTI-TIP AND WEDGE PLATE LOW PROFILE CARRIAGE SYSTEM



BARRIER FREE RAIL WITH DUAL ANTI-TIP AND WEDGE PLATE 1000 SERIES CARRIAGE SYSTEM



RUNNING RAIL 1000 SERIES CARRIAGE SYSTEM



Chain Box Cover



End Stop





Powered Mobile



Aurora Storage Products, Inc.
600 South Lake Street • Aurora, IL 60506
Ph: 630-897-6951 • Fax: 630-897-6994
Toll Free: 800-277-1699
www.aurorastorage.com

All Rights Reserved Copyright © 2017
M1-17



For more information go to:
<http://www.aurorastorage.com/>

designsupport@aurorastorage.com